

**PARTIAL PLAN**

(North Abutment shown, South Abutment similar except girder top flanges not clipped)

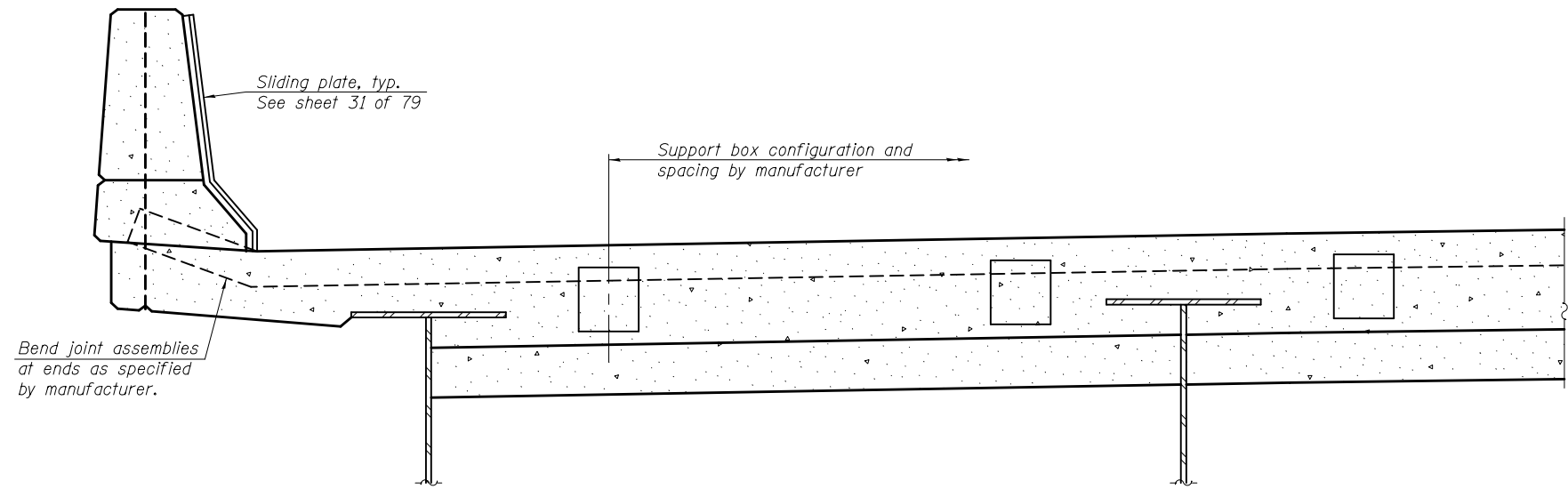
Notes:  
 Blockout area to be poured after expansion assemblies have been adjusted.  
 Modular expansion joints shall be assembled in their final relative position with the ends in place for shop inspection and acceptance.  
 The manufacturer's recommended installation methods shall be followed.  
 The modular expansion joints shall provide the following movement:

Location	Total Longitudinal Movement (inches)	Size (inches)
N. Abut. (each structure)	6 <sup>5</sup> / <sub>8</sub> "	9
S. Abut. (each structure)	5 <sup>1</sup> / <sub>2</sub> "	6

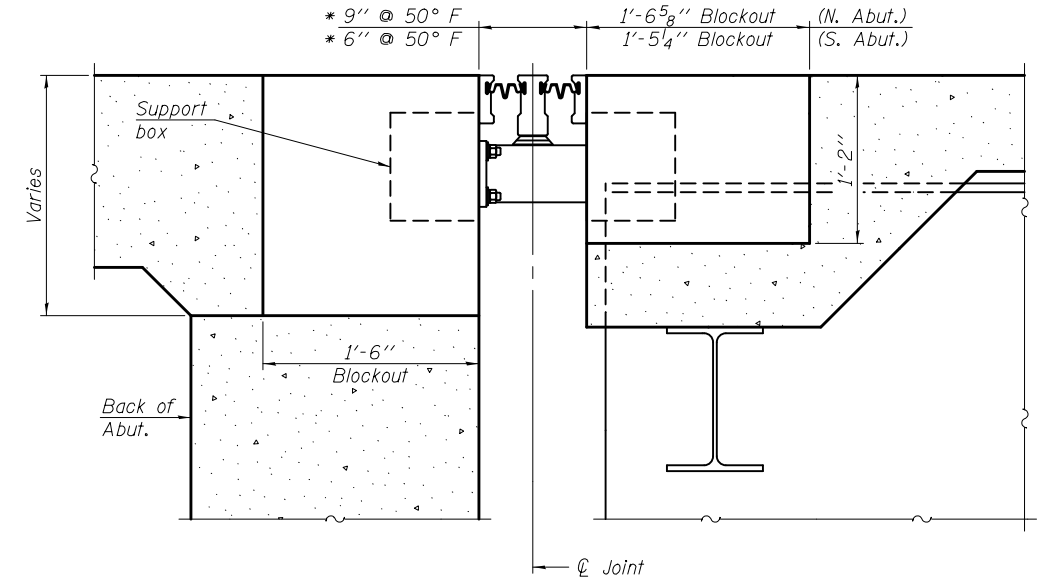
\* Actual dimension may vary depending on Manufacturer's design.

**BILL OF MATERIAL**

Item	Unit	Total
Modular Expansion Joint 6"	Foot	98
Modular Expansion Joint 9"	Foot	98



**SECTION A-A**



**SECTION B-B**

(Horizontal dimensions are at Rt. L's to centerline of joint)