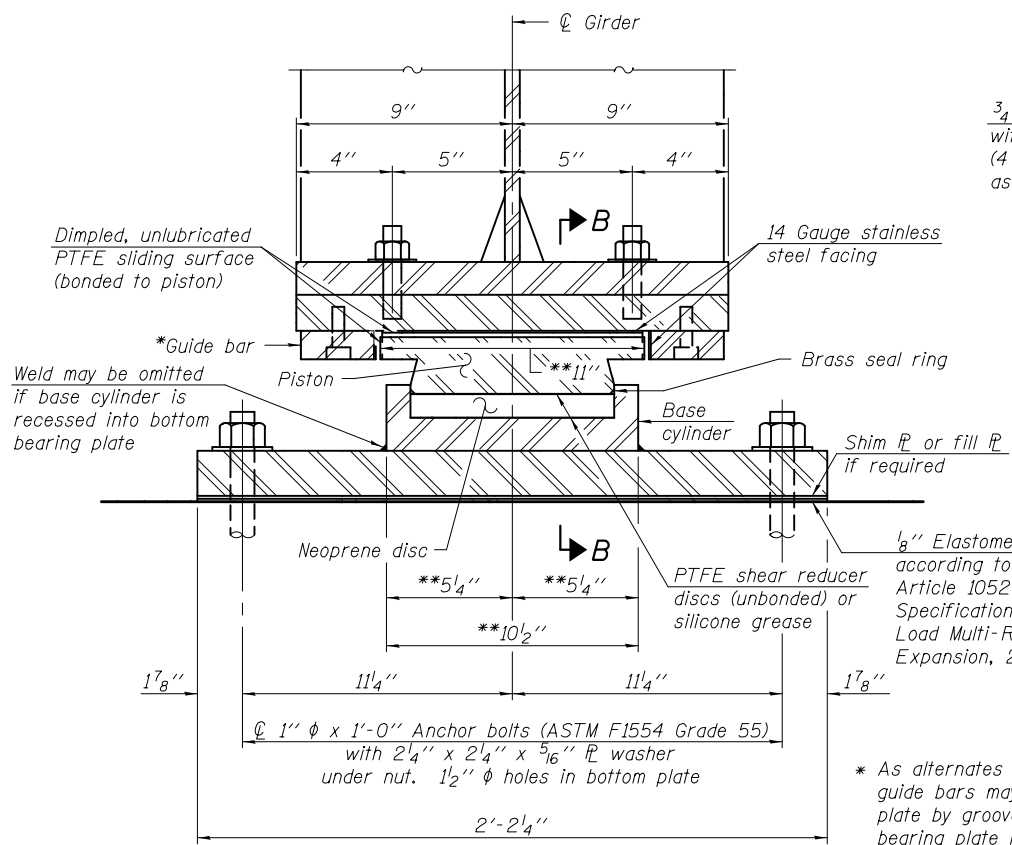
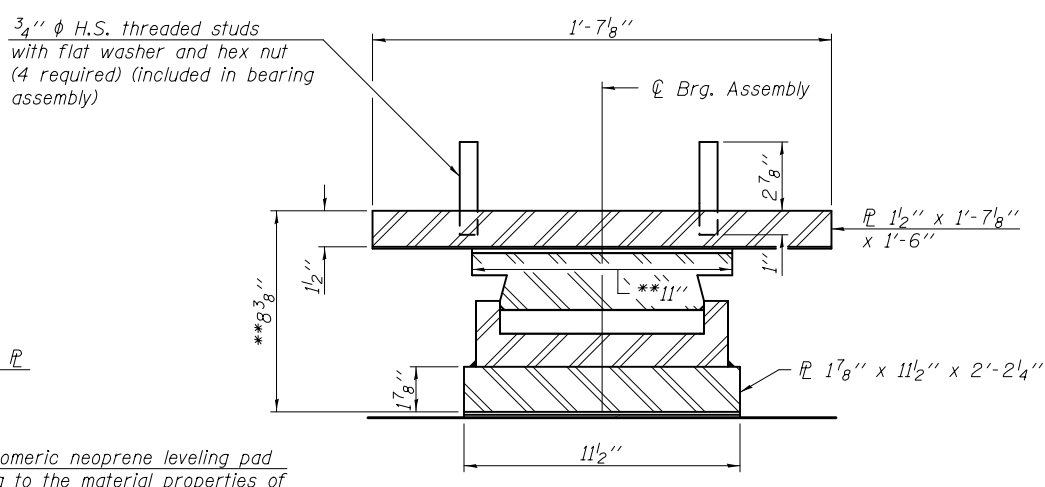


ELEVATION



SECTION A-A



SECTION B-B
(Guide bar and girder omitted for clarity)

Notes:

Anchor bolts shall be ASTM F1554 all-thread (or an Engineer-approved alternate material) of the grade(s) and diameter(s) specified. The corresponding specified grade of AASHTO M314 anchor bolts may be used in lieu of ASTM F1554.

Drilled and set anchor bolts shall be installed according to Article 521.06 of the Standard Specifications.

For anchor bolt locations, see sheets 45 & 49 of 79.

The structural steel plates of the Bearing Assembly shall conform to the requirements of AASHTO M 270, Grade 50.

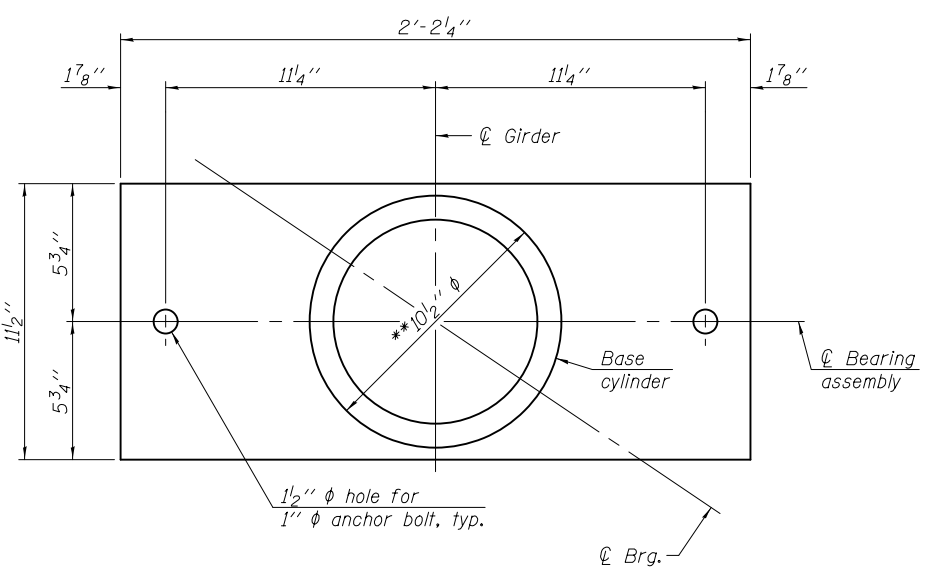
Provide 5/8" x 1 1/2" x 2'-2 1/4" fill plate at girder 4.

Two 1/8" adjusting shims shall be provided for each bearing in addition to all other plates or shims and placed as shown on bearing details.

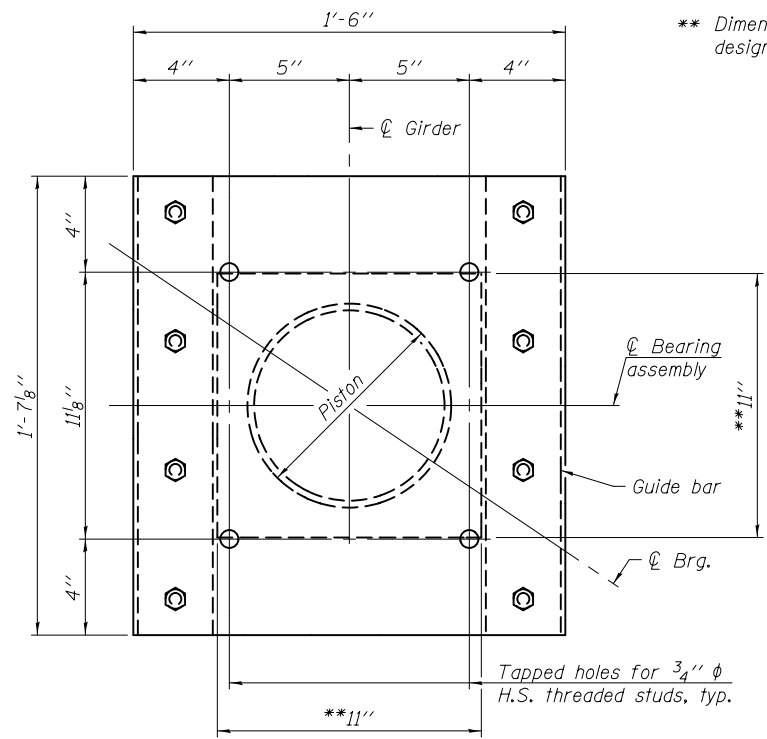
Bearing dimensions and details shown are for a pot type HLMR bearing. Disc type HLMR bearing dimensions and details will vary.

* As alternates to the bolted connection shown, the guide bars may be connected to the top bearing plate by groove welds or the guide bars and top bearing plate may be fabricated as a single piece. If bolted connection is used, maintain a minimum clearance of 3" from the centerline of the threaded stud to the bolts in the guide bar.

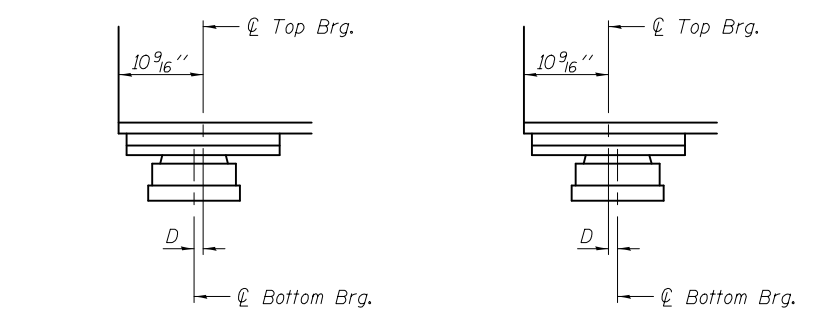
** Dimensions may vary depending on Manufacturer's design.



BOTTOM BEARING ϕ AND BASE CYLINDER PLAN



TOP BEARING ϕ AND PISTON PLAN



SETTING ANCHOR BOLTS AT EXP. BRG.
D=1/8" per each 100' of expansion for every 15° temp. change from the normal temp. of 50° F.

DESIGN DATA

Bearing Manufacturer Design Criteria	N. Abut.
Vertical Design Load (kips)	198
Horizontal Design Load (kips), H _u	40
Design Rotation (rad), θ_u	0.0191
Total Required Movement (in.)	6 5/8

BILL OF MATERIAL

Item	Unit	Total
High Load Multi-Rotational Bearings, Guided Expansion, 200k	Each	12
Anchor Bolts, 1"	Each	24

DESIGNED - DAVID H. RICHTER	EXAMINED - <i>Joanne F. DeLoff</i> ACTING ENGINEER OF BRIDGE DESIGN	DATE - OCTOBER 4, 2013
CHECKED - JUSTIN T. BELUE	PASSED - <i>Carl Berger</i> ACTING ENGINEER OF BRIDGES AND STRUCTURES	REVISED -
DRAWN - MICHAEL B. MOSSMAN		REVISED -
CHECKED - J.T.B. / D.H.R.		

**STATE OF ILLINOIS
DEPARTMENT OF TRANSPORTATION**

**NORTH ABUTMENT BEARING DETAILS
STRUCTURE NO. 046 - 0135 (NB) & 046 - 0136 (SB)**

SHEET NO. 39 OF 79 SHEETS

F.A.I. RTE.	SECTION	COUNTY	TOTAL SHEETS	SHEET NO.
57	(140)BR&BR-1	KANKAKEE	183	79
CONTRACT NO. 66750				
ILLINOIS FED. AID PROJECT				