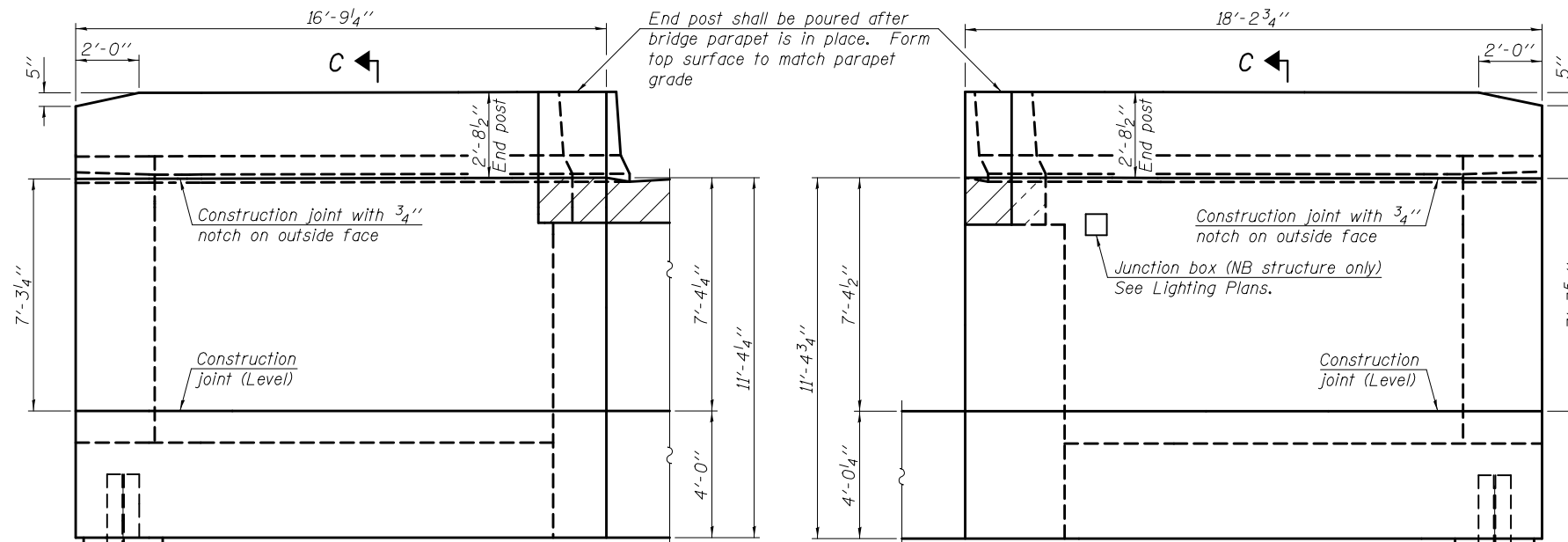


Note:  
Quantity of concrete in end post included with Concrete Superstructure on sheet 21 of 79.

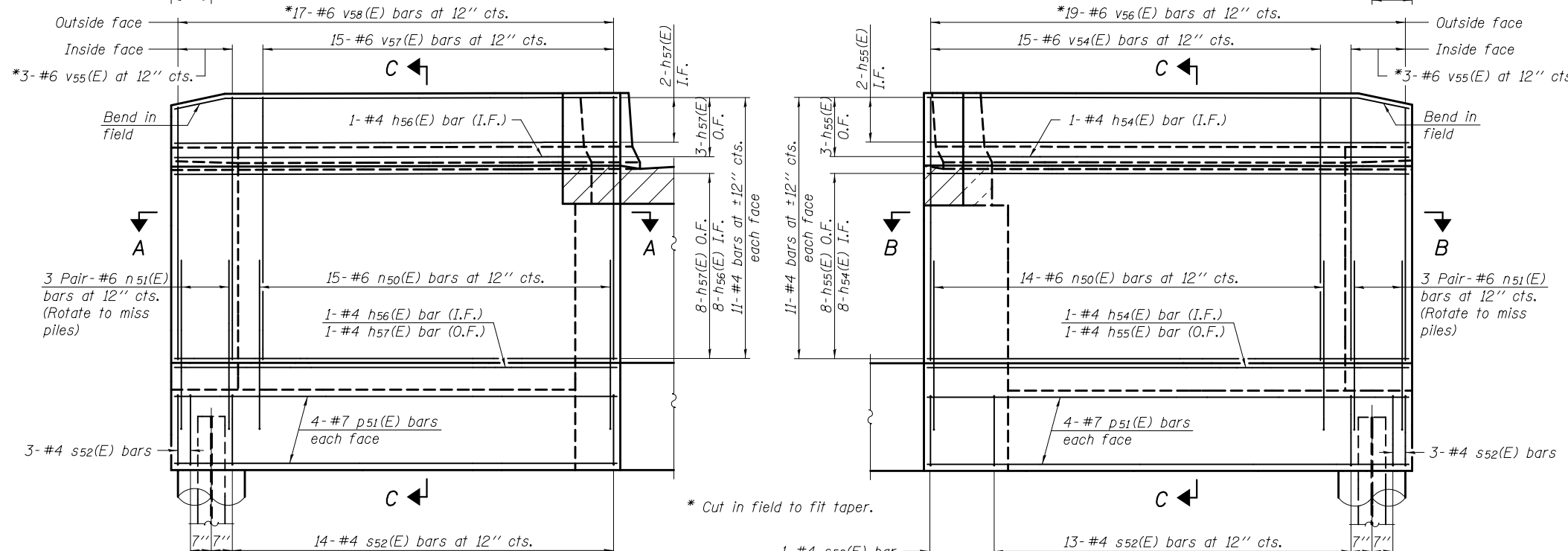


**WINGWALL ELEVATION**

(Showing dimensions - wingwall #1)

**WINGWALL ELEVATION**

(Showing dimensions - wingwall #2)

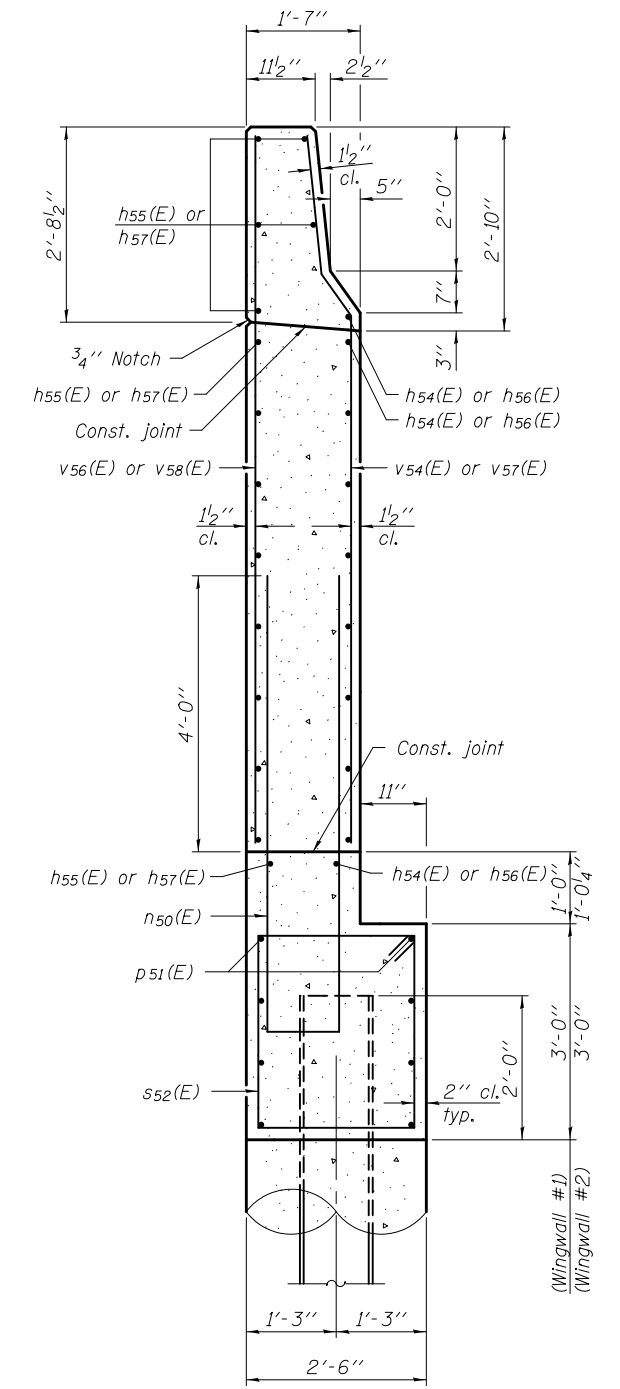


**WINGWALL ELEVATION**

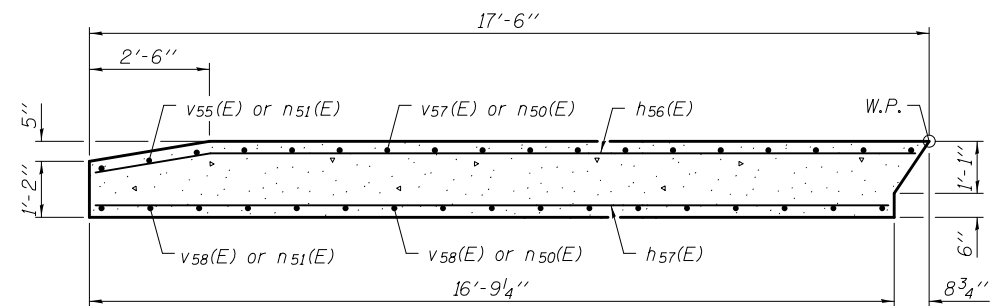
(Showing reinforcement - wingwall #1)

**WINGWALL ELEVATION**

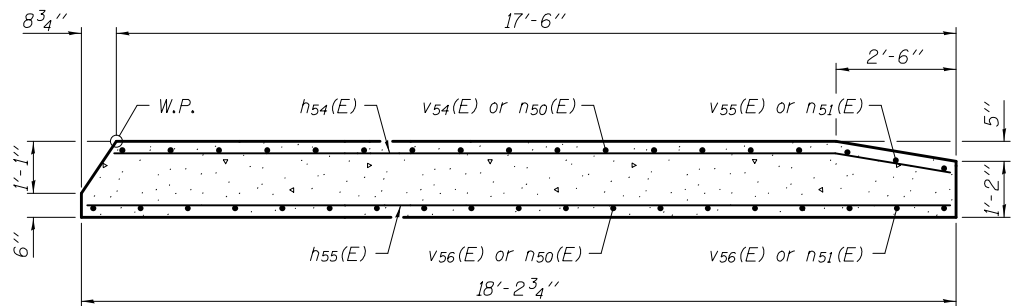
(Showing reinforcement - wingwall #2)



**SECTION C-C**



**SECTION A-A**



**SECTION B-B**

DESIGNED - JUSTIN T. BELUE	EXAMINED - <i>Joanne F. Joffe</i> ACTING ENGINEER OF BRIDGE DESIGN	DATE - OCTOBER 4, 2013	STATE OF ILLINOIS DEPARTMENT OF TRANSPORTATION	NORTH ABUTMENT - STRUCTURE NO. 046 - 0135 (NB) SOUTH ABUTMENT - STRUCTURE NO. 046 - 0136 (SB)	F.A.I. R.T.E. 57	SECTION (140)BR&BR-1	COUNTY KANKAKEE	TOTAL SHEETS 183	SHEET NO. 87
CHECKED - DAVID H. RICHTER	PASSED - <i>Carl Perry</i> ACTING ENGINEER OF BRIDGES AND STRUCTURES	REVISED -			CONTRACT NO. 66750				
DRAWN - MICHAEL B. MOSSMAN		REVISED -			SHEET NO. 47 OF 79 SHEETS				
CHECKED - J.T.B. / D.H.R.		REVISED -			ILLINOIS FED. AID PROJECT				