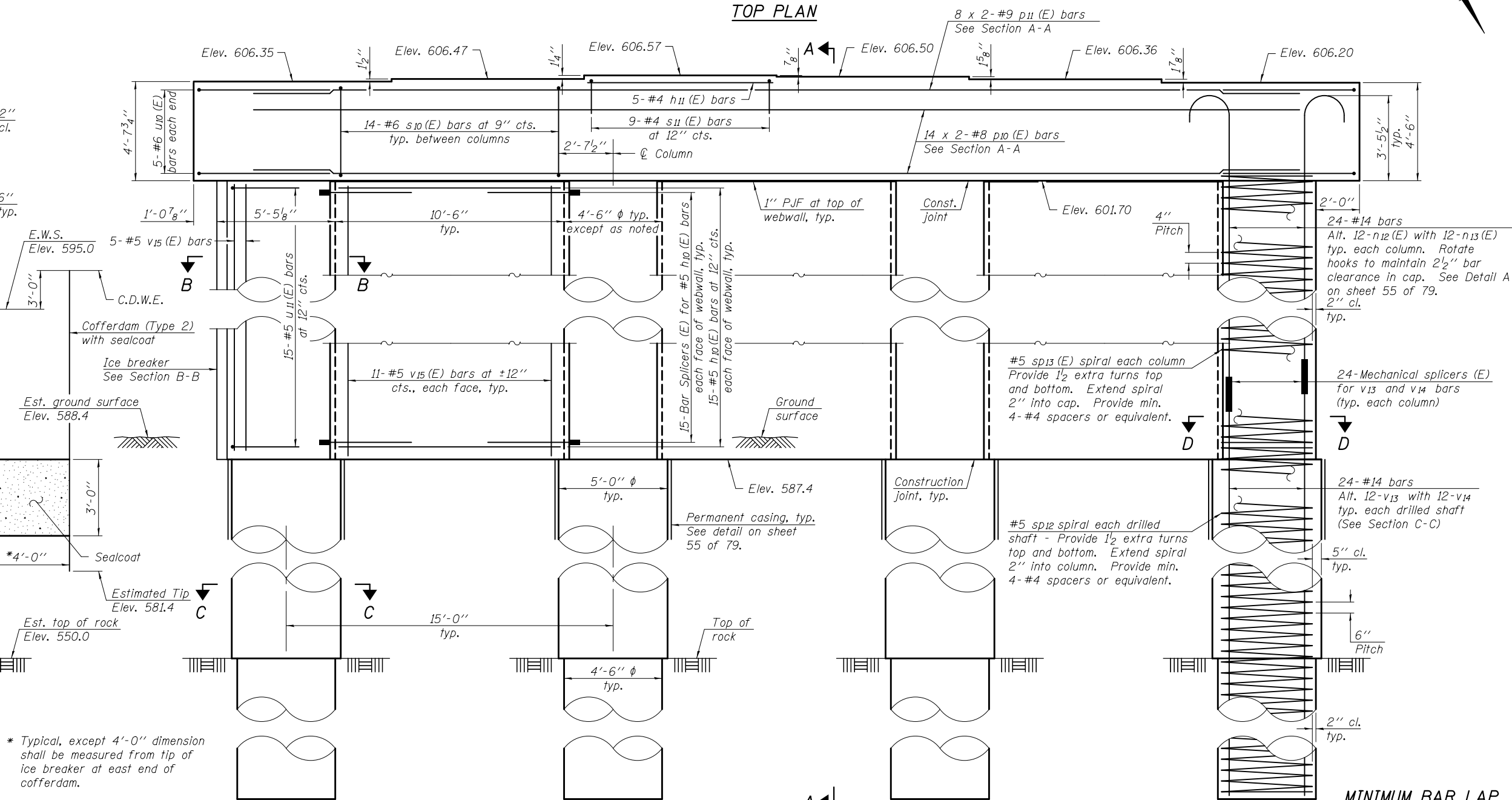
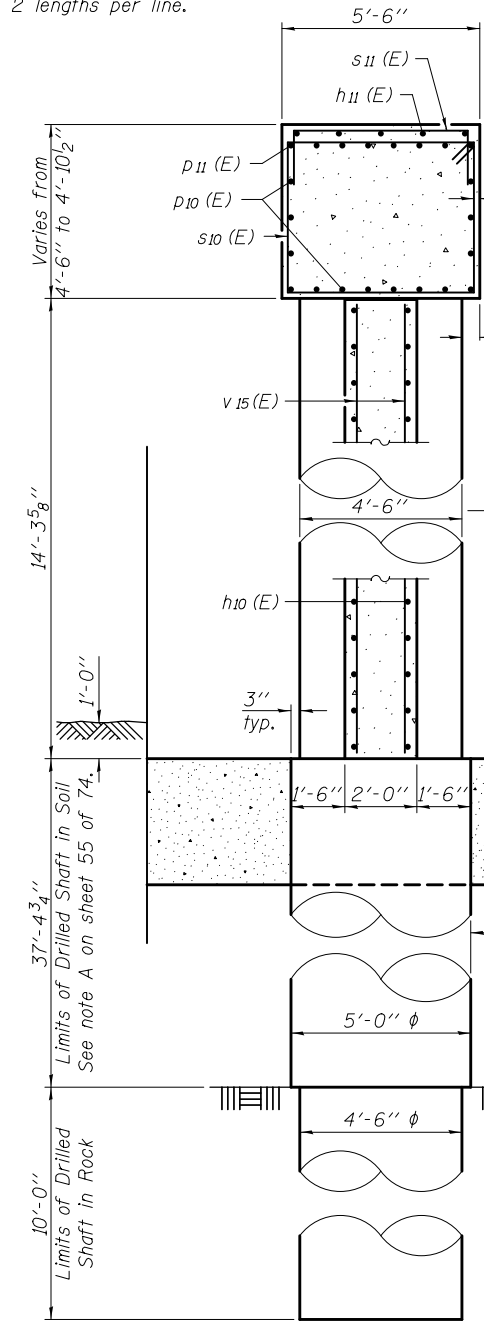
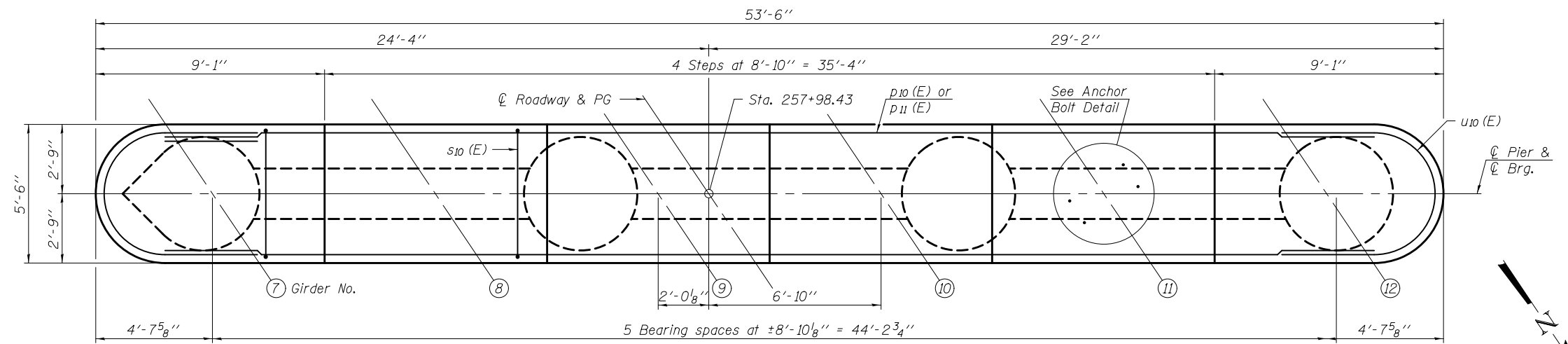


ANCHOR BOLT DETAIL

Notes:
 Space reinforcement in cap to miss anchor bolts.
 Pour steps monolithically with cap.
 Cost of preformed joint filler included with Concrete Structures.
 Bars indicated thus 14 x 2-#8 etc. indicates 14 lines of bars with 2 lengths per line.



MINIMUM BAR LAP
 #8 bars = 7'-8"
 #9 bars = 9'-8"

DESIGNED - JUSTIN T. BELUE	EXAMINED - <i>Joanne F. Joffe</i>	DATE - OCTOBER 4, 2013	STATE OF ILLINOIS DEPARTMENT OF TRANSPORTATION	PIER 1 STRUCTURE NO. 046 - 0136 (SB)	F.A.I. RTE. 57	SECTION (140)BR&BR-1	COUNTY KANKAKEE	TOTAL SHEETS 183	SHEET NO. 94	
CHECKED - DAVID H. RICHTER	PASSED - <i>Carl Kopper</i>	REVISED -			CONTRACT NO. 66750					
DRAWN - MICHAEL B. MOSSMAN	ACTING ENGINEER OF BRIDGES AND STRUCTURES	REVISED -			SHEET NO. 54 OF 79 SHEETS					
CHECKED - J.T.B. / D.H.R.	ILLINOIS FED. AID PROJECT	REVISED -								