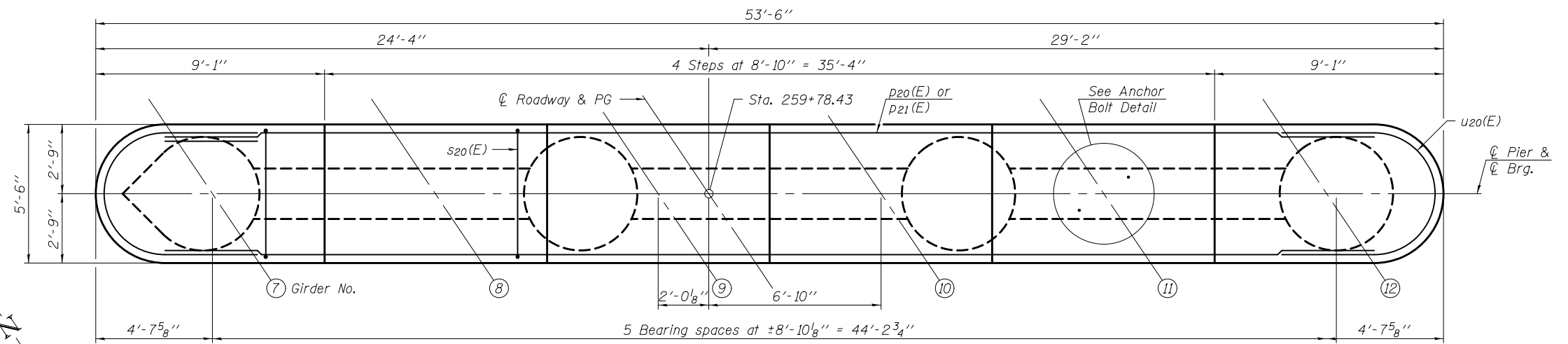
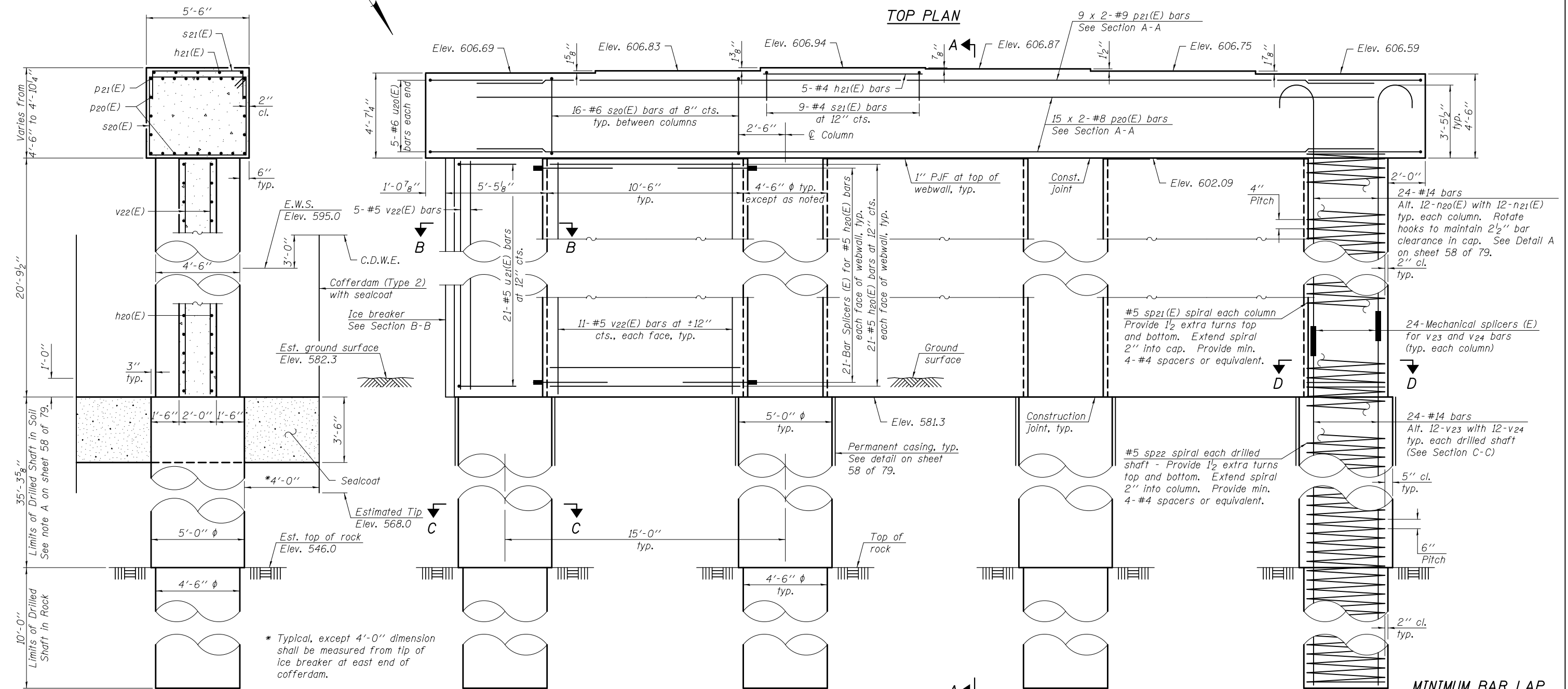


Notes:
 Space reinforcement in cap to miss anchor bolts.
 Four steps monolithically with cap.
 Cost of preformed joint filler is included with Concrete Structures.
 Bars indicated thus 15 x 2-#8 etc. indicates 15 lines of bars with 2 lengths per line.



TOP PLAN



SECTION A-A

ELEVATION
(Looking South)

MINIMUM BAR LAP
 #8 bars = 7'-8"
 #9 bars = 9'-8"

DESIGNED - JUSTIN T. BELUE	EXAMINED - <i>Joanne F. Joffe</i> ACTING ENGINEER OF BRIDGE DESIGN	DATE - OCTOBER 4, 2013	STATE OF ILLINOIS DEPARTMENT OF TRANSPORTATION	PIER 2 STRUCTURE NO. 046 - 0136 (SB)	F.A.I. RTE. - 57	SECTION - (140)BR&BR-1	COUNTY - KANKAKEE	TOTAL SHEETS - 183	SHEET NO. - 97	
CHECKED - DAVID H. RICHTER	PASSED - <i>Carl Kupper</i> ACTING ENGINEER OF BRIDGES AND STRUCTURES	REVISED -			CONTRACT NO. 66750					
DRAWN - MICHAEL B. MOSSMAN		REVISED -			ILLINOIS FED. AID PROJECT					
CHECKED - J.T.B. / D.H.R.					SHEET NO. 57 OF 79 SHEETS					