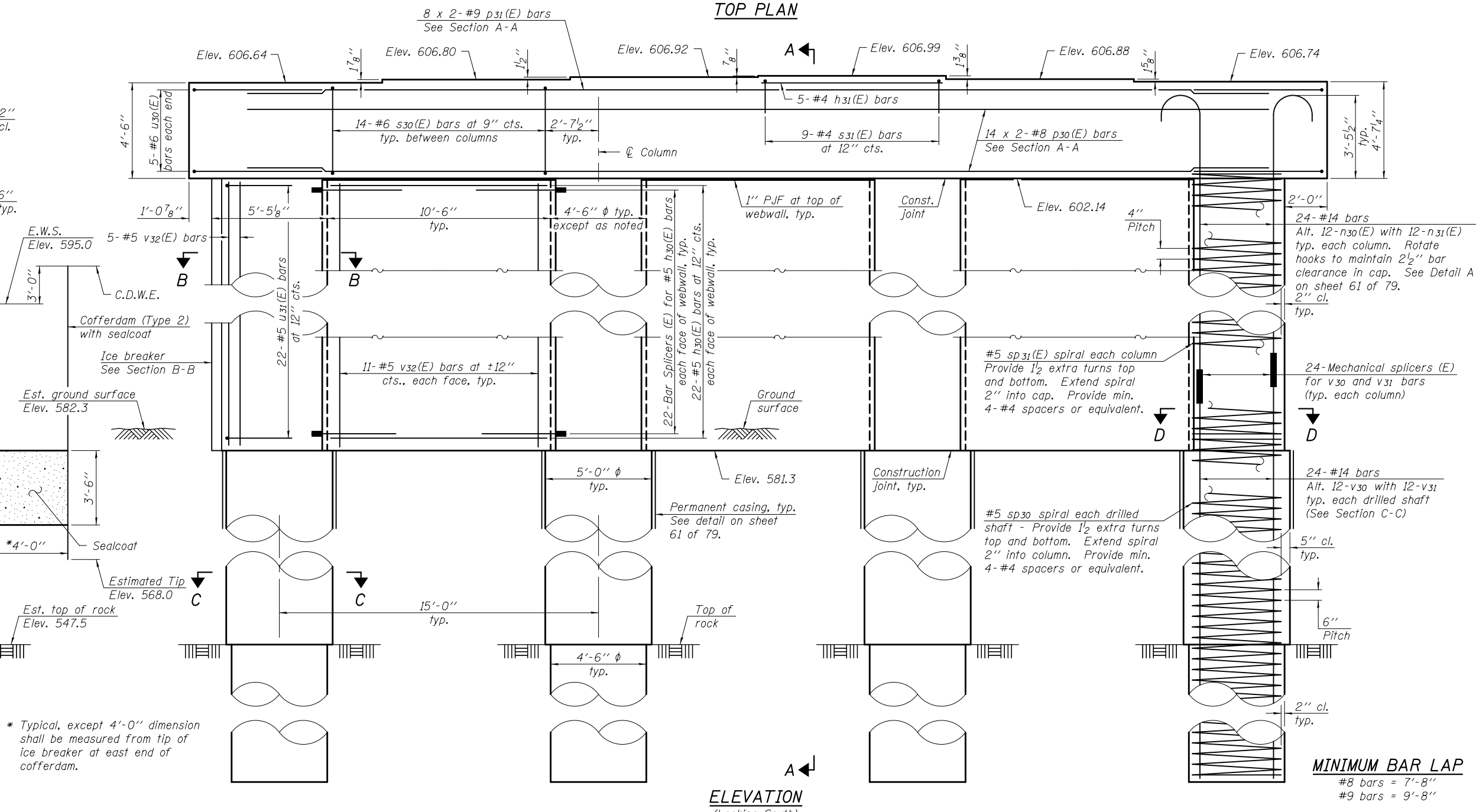
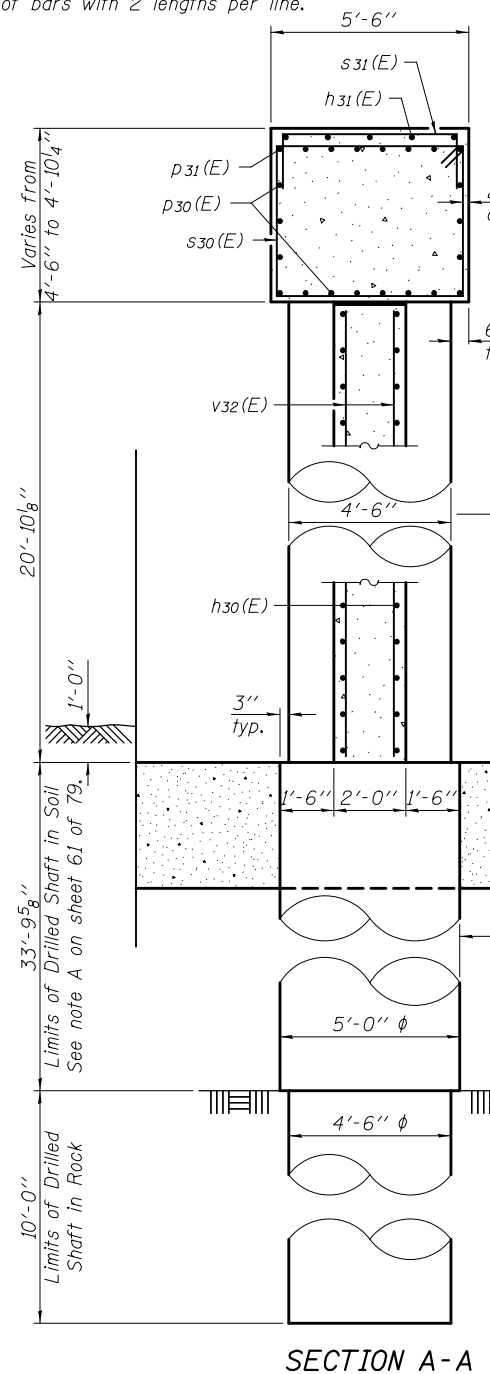


**ANCHOR BOLT DETAIL**

Notes:  
 Space reinforcement in cap to miss anchor bolts.  
 Pour steps monolithically with cap.  
 Cost of preformed joint filler is included with Concrete Structures.  
 Bars indicated thus 14 x 2-#8 etc. indicates 14 lines of bars with 2 lengths per line.



**MINIMUM BAR LAP**  
 #8 bars = 7'-8"  
 #9 bars = 9'-8"

DESIGNED - JUSTIN T. BELUE	EXAMINED - <i>James F. J...</i>	DATE - OCTOBER 4, 2013	<b>STATE OF ILLINOIS DEPARTMENT OF TRANSPORTATION</b>	<b>PIER 3 STRUCTURE NO. 046 - 0135 (NB)</b>	F.A.I. RTE. 57	SECTION (140)BR&BR-1	COUNTY KANKAKEE	TOTAL SHEETS 183	SHEET NO. 99	
CHECKED - DAVID H. RICHTER	PASSED - <i>Carl...</i>	REVISED -			<b>CONTRACT NO. 66750</b>					
DRAWN - MICHAEL B. MOSSMAN	ACTING ENGINEER OF BRIDGES AND STRUCTURES	REVISED -			ILLINOIS FED. AID PROJECT					
CHECKED - J.T.B. / D.H.R.		REVISED -			SHEET NO. 59 OF 79 SHEETS					