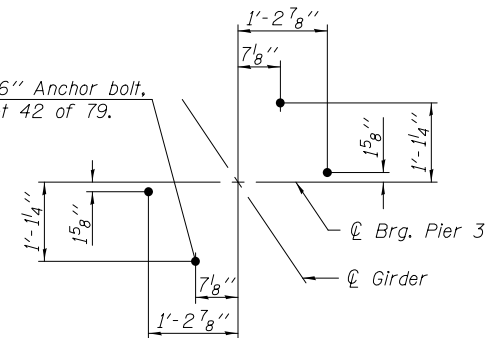
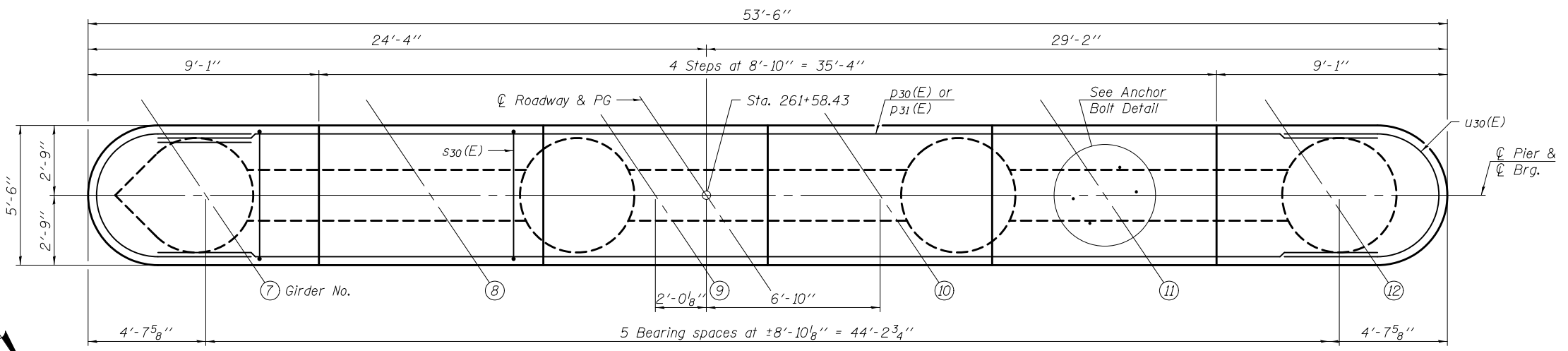


1/2" φ x 1'-6" Anchor bolt, typ. See sheet 42 of 79.

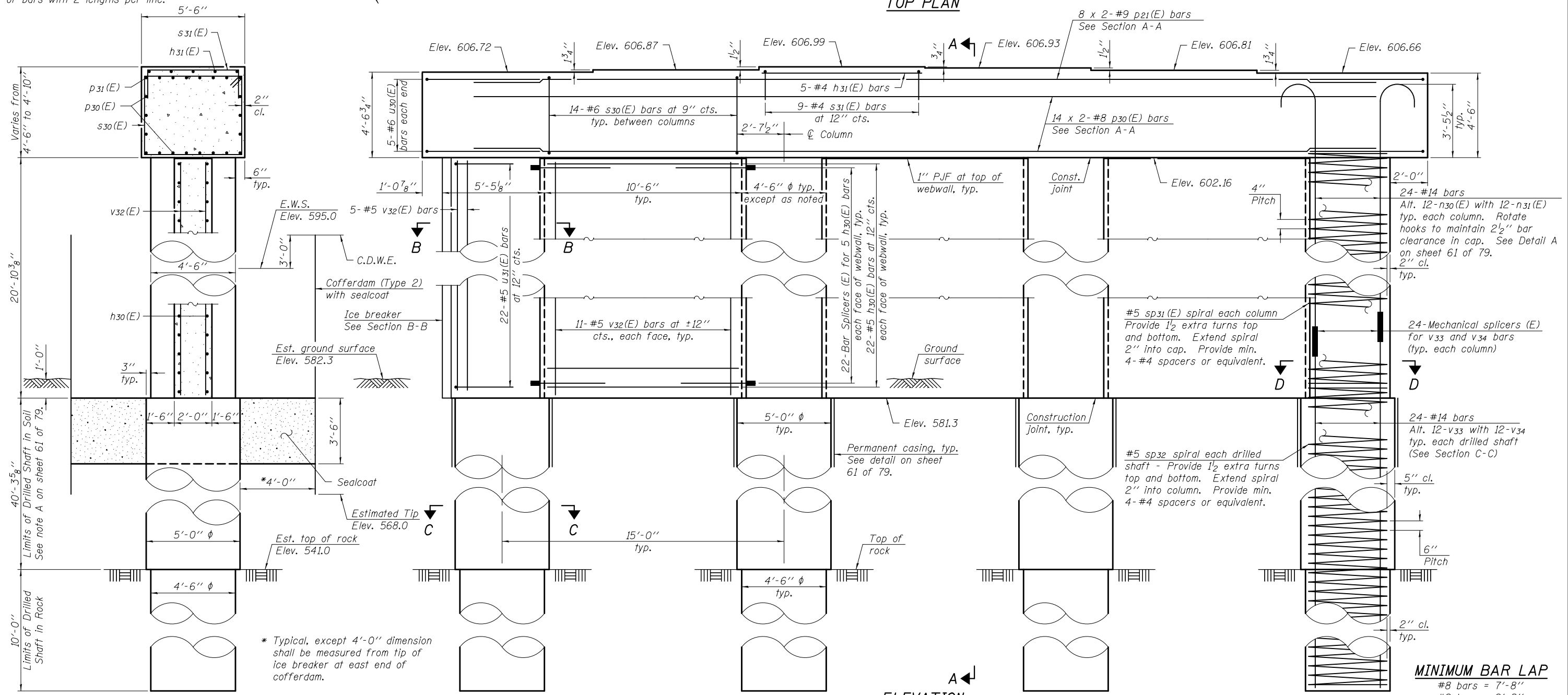


ANCHOR BOLT DETAIL

Notes:
 Space reinforcement in cap to miss anchor bolts.
 Pour steps monolithically with cap.
 Cost of preformed joint filler is included with Concrete Structures.
 Bars indicated thus 14 x 2-#8 etc. indicates 14 lines of bars with 2 lengths per line.



TOP PLAN



SECTION A-A

ELEVATION
(Looking South)

MINIMUM BAR LAP
 #8 bars = 7'-8"
 #9 bars = 9'-8"

DESIGNED - JUSTIN T. BELUE	EXAMINED - <i>Joanne F. Joffe</i>	DATE - OCTOBER 4, 2013	STATE OF ILLINOIS DEPARTMENT OF TRANSPORTATION	PIER 3 STRUCTURE NO. 046 - 0136 (SB)	F.A.I. RTE. 57	SECTION (140)BR&BR-1	COUNTY KANKAKEE	TOTAL SHEETS 183	SHEET NO. 100	
CHECKED - DAVID H. RICHTER	PASSED - <i>Carl Kasper</i>	REVISED -			CONTRACT NO. 66750		ILLINOIS FED. AID PROJECT			
DRAWN - MICHAEL B. MOSSMAN		REVISED -			SHEET NO. 60 OF 79 SHEETS					
CHECKED - J.T.B. / D.H.R.	ACTING ENGINEER OF BRIDGES AND STRUCTURES									