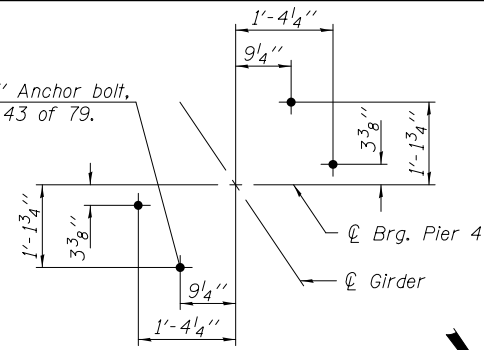


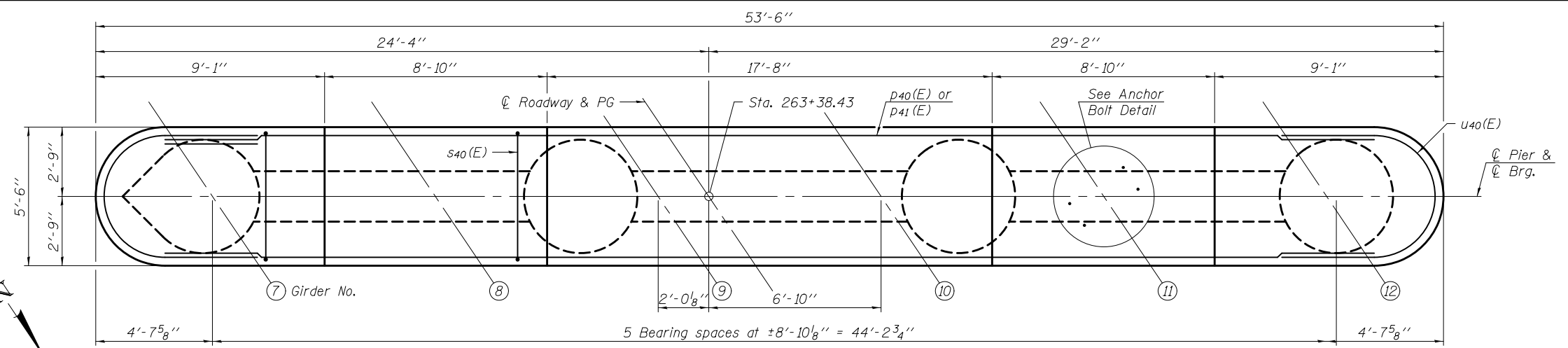
Ø 1/2" φ x 1'-6" Anchor bolt,  
typ. See sheet 43 of 79.



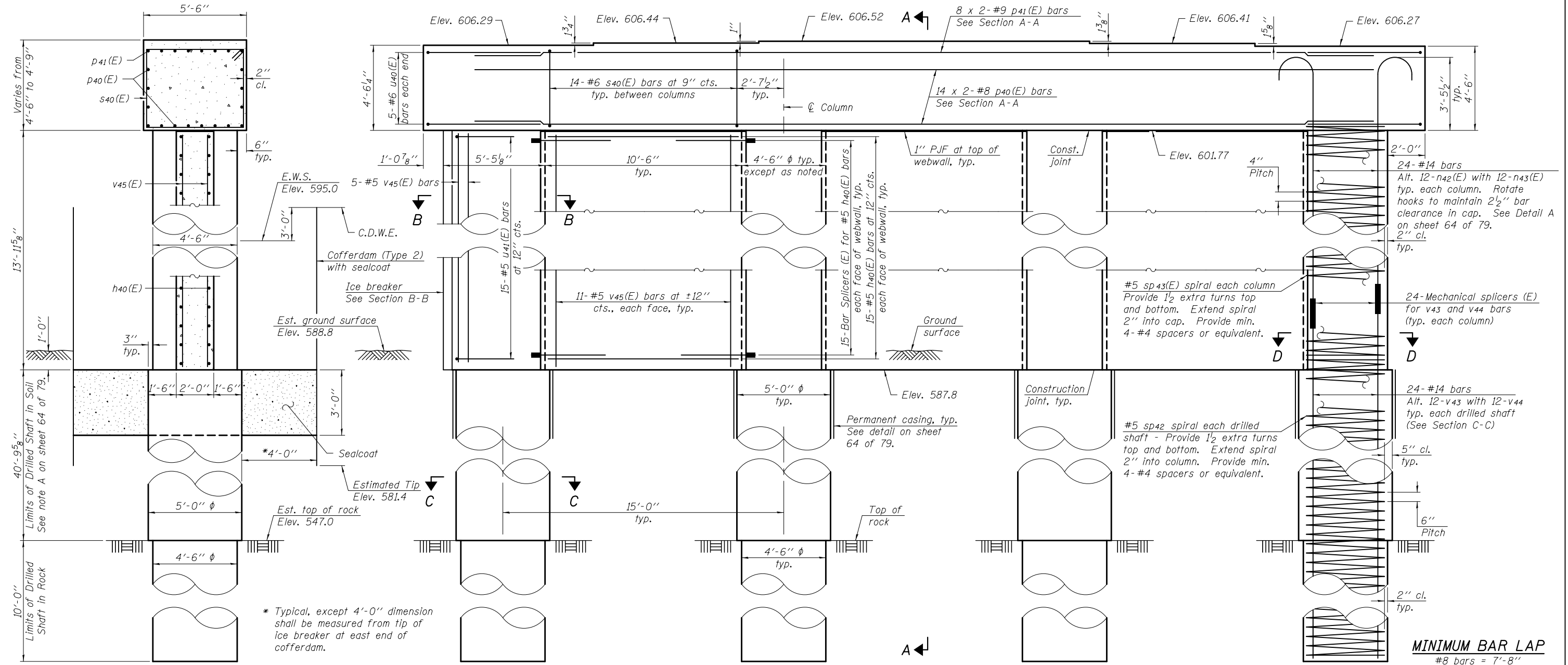
**ANCHOR BOLT DETAIL**

**Notes:**

- Space reinforcement in cap to miss anchor bolts.
- Four steps monolithically with cap.
- Cost of preformed joint filler is included with Concrete Structures.
- Bars indicated thus 14 x 2-#8 etc. indicates 14 lines of bars with 2 lengths per line.



**TOP PLAN**



**SECTION A-A**

**ELEVATION**  
(Looking South)

DESIGNED - JUSTIN T. BELUE	EXAMINED
CHECKED - DAVID H. RICHTER	PASSED
DRAWN - MICHAEL B. MOSSMAN	
CHECKED - J.T.B. / D.H.R.	

ACTING ENGINEER OF BRIDGE DESIGN  
*Joanne F. Joffe*  
 ACTING ENGINEER OF BRIDGES AND STRUCTURES  
*Carl Kasper*

DATE - OCTOBER 4, 2013
REVISED -
REVISED -

**STATE OF ILLINOIS  
DEPARTMENT OF TRANSPORTATION**

**PIER 4  
STRUCTURE NO. 046 - 0136 (SB)**

SHEET NO. 63 OF 79 SHEETS

F.A.I. RTE.	SECTION	COUNTY	TOTAL SHEETS	SHEET NO.
57	(140)BR&BR-1	KANKAKEE	183	103
CONTRACT NO. 66750				
ILLINOIS FED. AID PROJECT				