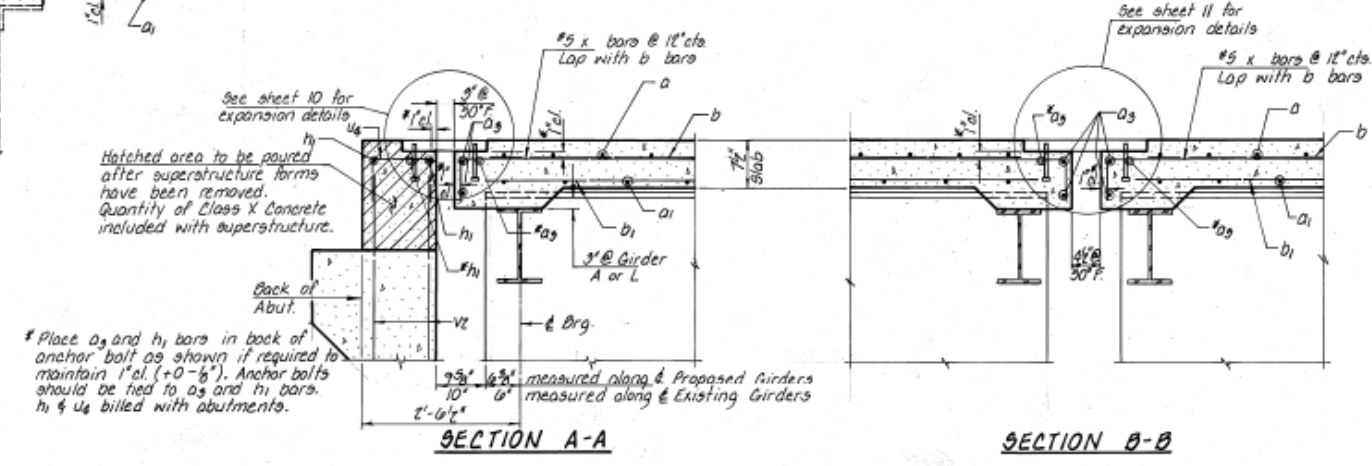
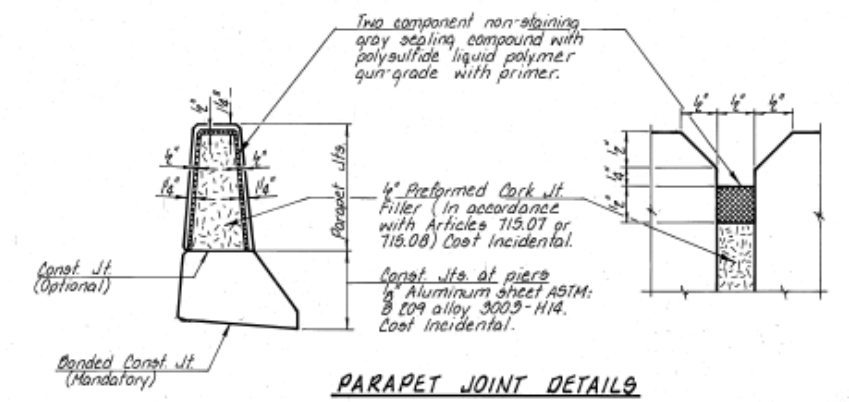
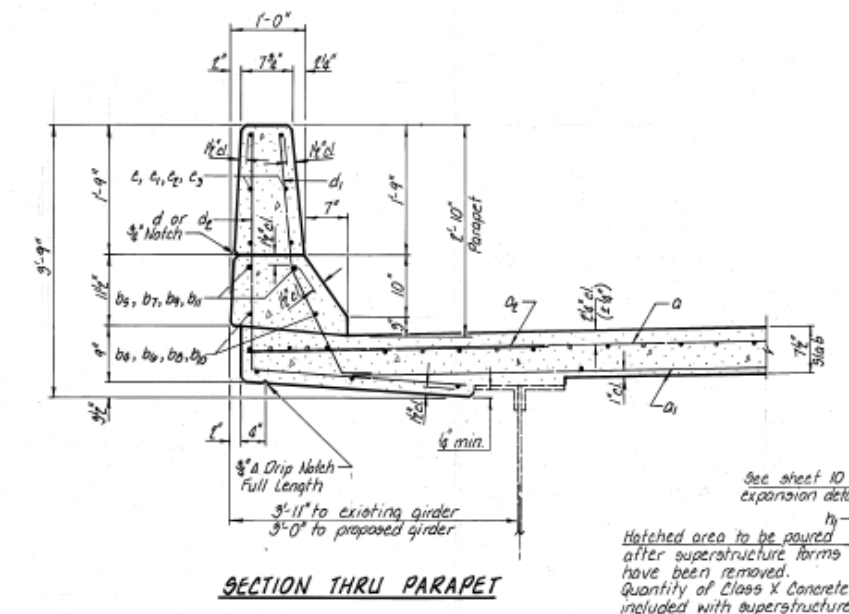
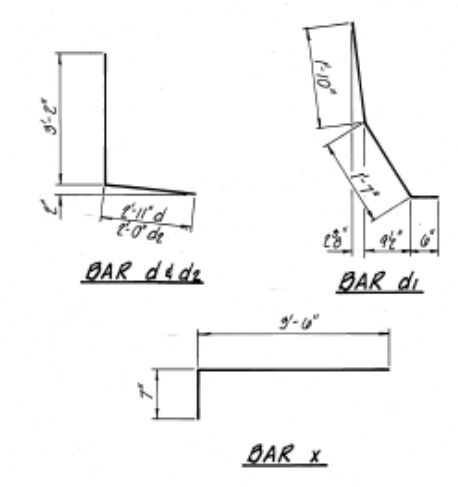
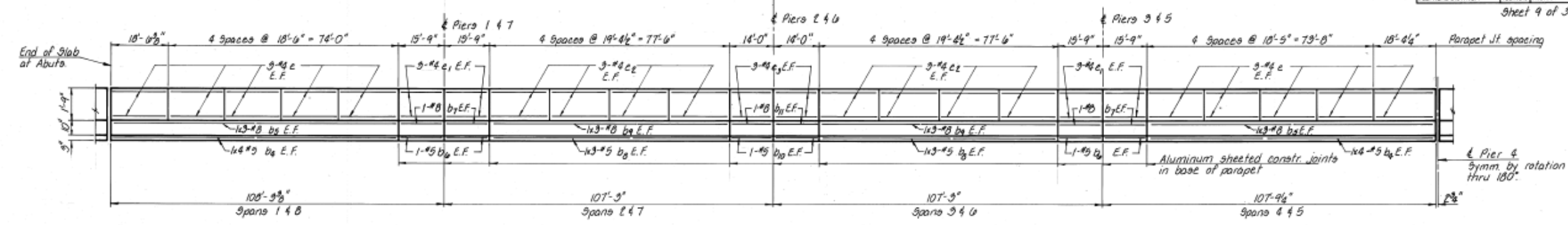


ROUTE NO.	SECTION	COUNTY	TOTAL SHEETS	SHEET NO.
FAI 57	140-DR	KANKAKEE	55	28
FED. ROAD DIST. NO. 7		ILLINOIS PROJECT		

Sheet 9 of 36



SUPERSTRUCTURE	
F.A.I. ROUTE 57	
SECTION 140-DR	
KANKAKEE COUNTY	
STATION 140+40	
COLLINS AND RICE	
CONSULTING ENGINEERS	
DESIGNED A.R.K.	CHECKED F.S. & R.M.B.
DRAWN H.G.	DATE 12-15-84 No. 1876

FOR INFORMATION ONLY

FILE NAME =	USER NAME = #USER#	DESIGNED -	REVISED -	STATE OF ILLINOIS DEPARTMENT OF TRANSPORTATION	REPAIR BRIDGE PLANS 1987	F.A.I. RTE.	SECTION	COUNTY	TOTAL SHEETS	SHEET NO.
*FILEL#		DRAWN -	REVISED -			57	(140BR, BR-1 & 11)	KANKAKEE	183	139
*MODELNAME#		CHECKED -	REVISED -			SCALE: _____ SHEET _____ OF _____ SHEETS STA. _____ TO STA. _____		CONTRACT NO. 66750		ILLINOIS FED. AID PROJECT
		DATE -	REVISED -							