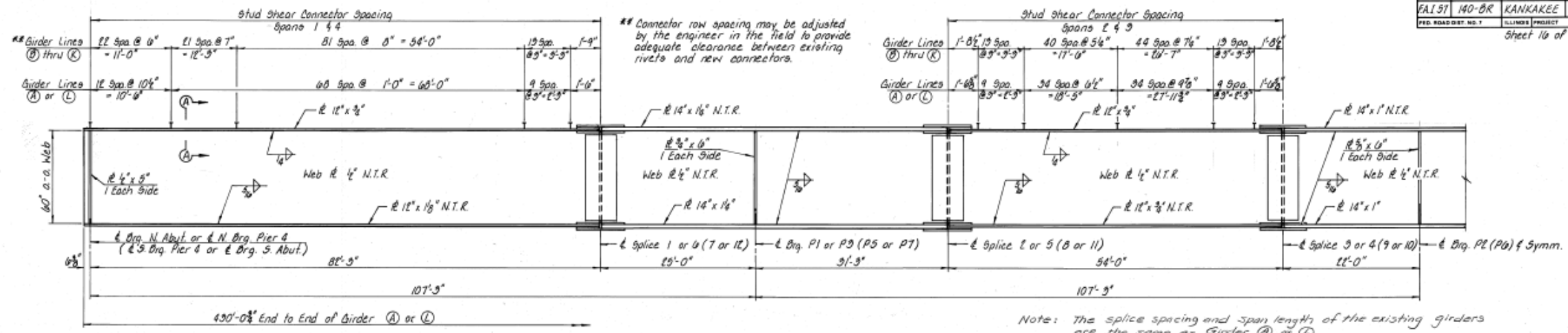
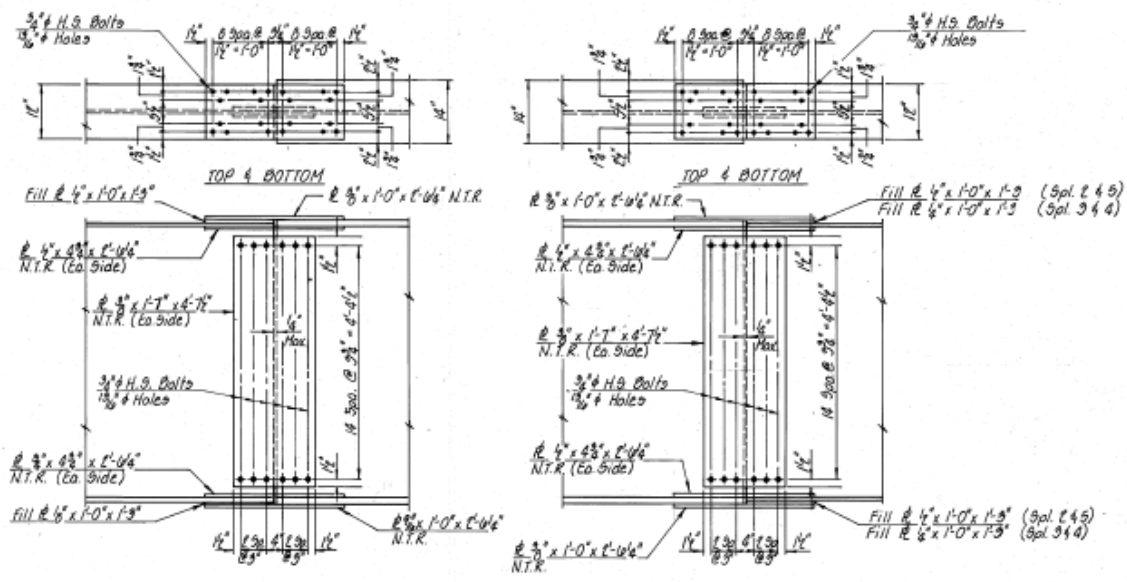


ROUTE NO	SECTION	COUNTY	TOTAL SHEETS	SHEET NO.
FAI 57	140-BR	KANKAKEE	55	35
FED. ROAD DIST. NO. 1		ILLINOIS PROJECT	Sheet 16 of 36	



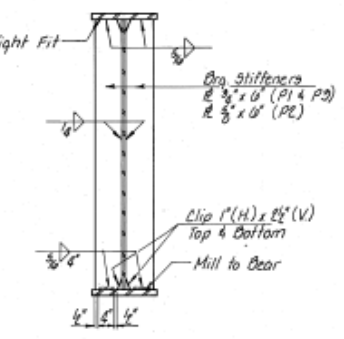
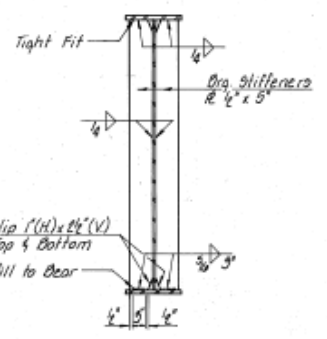
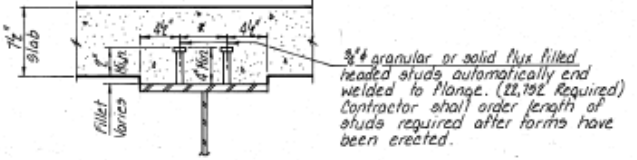
Note: N.T.R. indicates Notch Toughness Requirements, Zone I.

ELEVATION - UNIT I
Girder (A) or (L)
(UNIT II in parenthesis)



SPLICES 1 4 7 & 12 - UNIT I
8 Required

SPLICES 2, 3, 4 & 5 - UNIT I
SPLICES 8, 9, 10 & 11 - UNIT II
16 Required



GIRDER DETAILS
FAI ROUTE 57
SECTION 140-BR
KANKAKEE COUNTY
STATION 100+90

COLLINS AND RICE
CONSULTING ENGINEERS

DESIGNED A.R.K.
DRAWN M.G.

CHECKED F.S. & R.M.D.
DATE 12-19-84 NO. 1874

Note: See sheet 16 for Top of Web Elevations.

FOR INFORMATION ONLY

FILE NAME -	USER NAME - USERS	DESIGNED -	REVISED -	STATE OF ILLINOIS DEPARTMENT OF TRANSPORTATION	REPAIR BRIDGE PLANS 1987	F.A.I. RTE.	SECTION	COUNTY	TOTAL SHEETS	SHEET NO.
#FILEL#		DRAWN -	REVISED -			57	(140)BR, BR-1 & (II)	KANKAKEE	183	141
#MODELNAME#	PLOT SCALE = #SCALE#	CHECKED -	REVISED -			SCALE: _____ SHEET _____ OF _____ SHEETS STA. _____ TO STA. _____		CONTRACT NO. 66750		ILLINOIS FED. AID PROJECT
	PLOT DATE = #DATE#	DATE -	REVISED -							