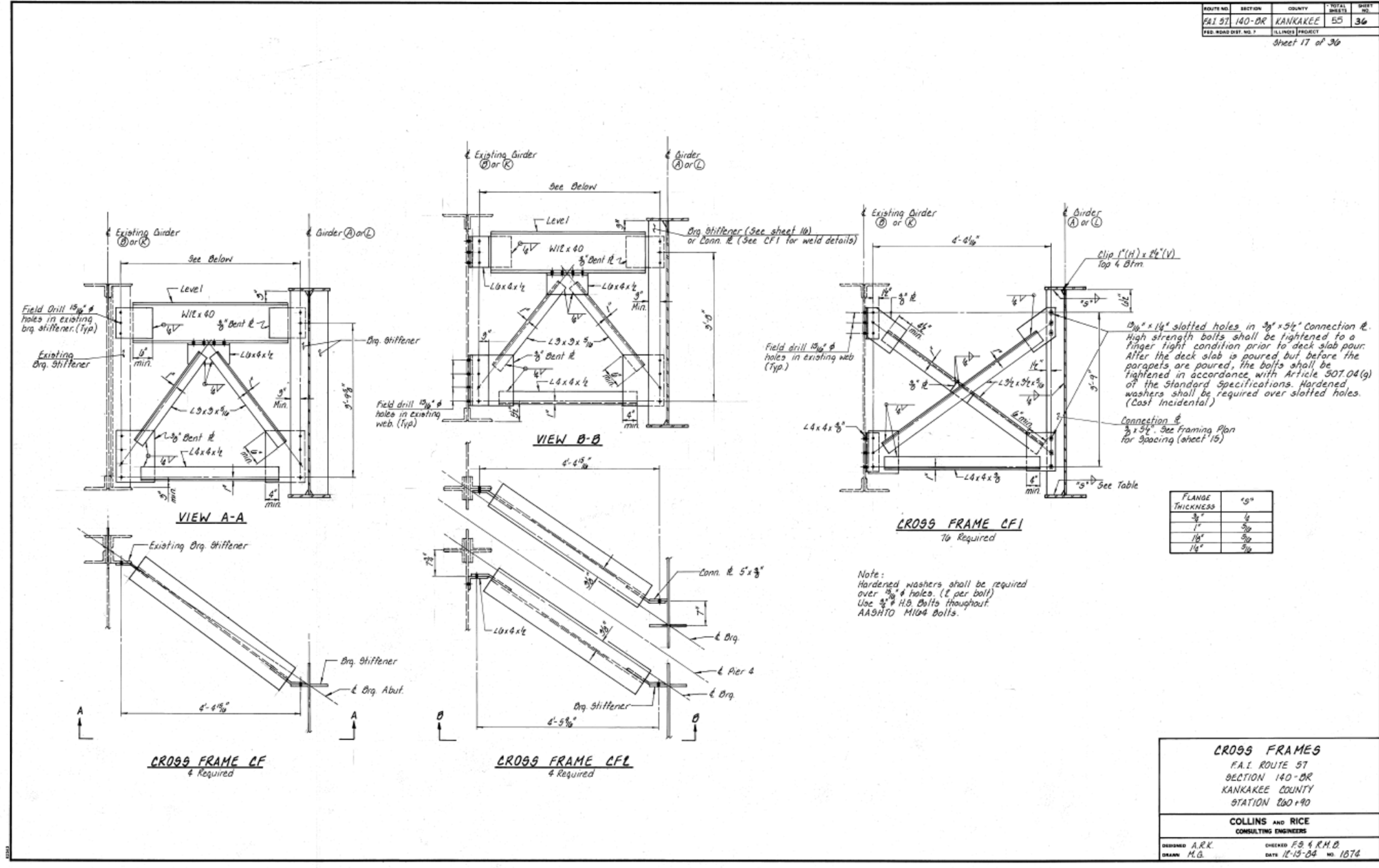


ROUTE NO.	SECTION	COUNTY	TOTAL SHEETS	SHEET NO.
FAI 57	140-DR	KANKAKEE	55	36
ILLINOIS PROJECT		Sheet 17 of 36		



FOR INFORMATION ONLY

FILE NAME -	USER NAME - \$USER\$	DESIGNED -	REVISED -	STATE OF ILLINOIS DEPARTMENT OF TRANSPORTATION	REPAIR BRIDGE PLANS 1987	F.A.I. RTE.	SECTION	COUNTY	TOTAL SHEETS	SHEET NO.	
\$FILEL\$		DRAWN -	REVISED -			57	(140BR, BR-1 & II)	KANKAKEE	183	142	
\$MODELNAME\$		CHECKED -	REVISED -			CONTRACT NO. 66750					
		DATE -	REVISED -			ILLINOIS FED. AID PROJECT					
SCALE: _____ SHEET _____ OF _____ SHEETS STA. _____ TO STA. _____											