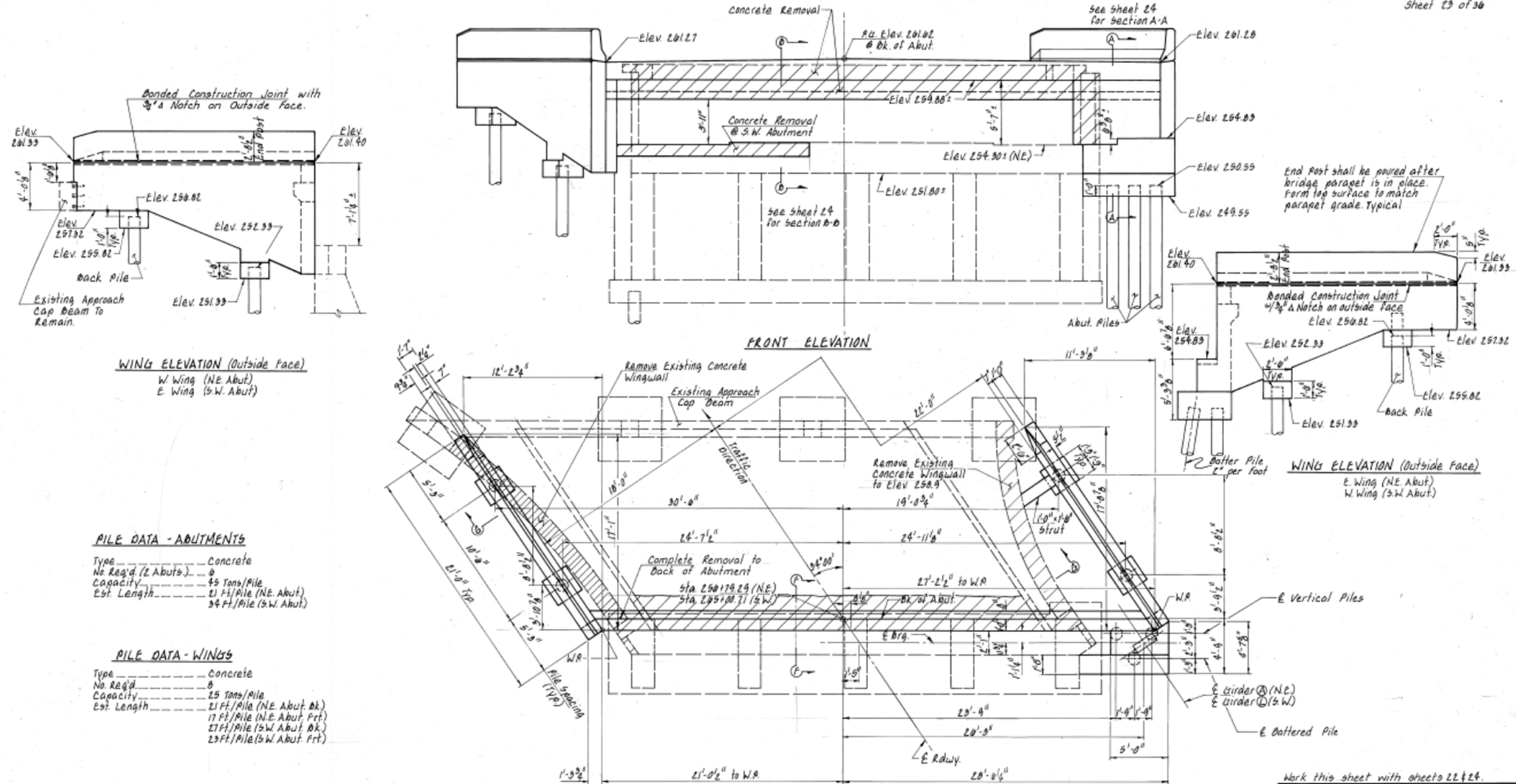


ROUTE NO.	SECTION	COUNTY	TOTAL SHEETS	SHEET NO.
FAI 57	140-BR	KANKAKEE	55	42
FED. ROAD DIST. NO. 7	ILLINOIS PROJECT	Sheet 29 of 36		



WING ELEVATION (Outside Face)
 W Wing (NE Abut.)
 E Wing (SW Abut.)

PILE DATA - ABUTMENTS
 Type ----- Concrete
 No. Req'd. (2 Abut.) ----- 8
 Capacity ----- 45 Tons/Pile
 Est. Length ----- 21 Ft./Pile (NE Abut.)
 34 Ft./Pile (SW Abut.)

PILE DATA - WINGS
 Type ----- Concrete
 No. Req'd. ----- 8
 Capacity ----- 25 Tons/Pile
 Est. Length ----- 21 Ft./Pile (NE Abut. Bk.)
 17 Ft./Pile (NE Abut. Fnt.)
 27 Ft./Pile (SW Abut. Bk.)
 23 Ft./Pile (SW Abut. Fnt.)

Note: Hatched areas indicate Concrete Removal.

PLAN
 (Showing Dimensions & Pile Layout)
 Note: see sheet 28 for sections F-F & G-G

Work this sheet with sheets 22 & 25.
S.W. & N.E. ABUTMENTS
 F.A.I. ROUTE 57
 SECTION 140 - BR
 KANKAKEE COUNTY
 STATION 200 + 90
COLLINS AND RICE
 CONSULTING ENGINEERS
 DESIGNED A.R.K. CHECKED F.S. & R.M.D.
 DRAWN S.B.D. DATE 11-13-84 NO. 1874

FOR INFORMATION ONLY

FILE NAME -	USER NAME - \$USER\$	DESIGNED -	REVISED -	STATE OF ILLINOIS DEPARTMENT OF TRANSPORTATION	REPAIR BRIDGE PLANS 1987	F.A.I. RTE.	SECTION	COUNTY	TOTAL SHEETS	SHEET NO.	
\$FILEL\$		DRAWN -	REVISED -			57	(140BR, BR-1 & II)	KANKAKEE	183	145	
\$MODELNAME\$		CHECKED -	REVISED -			SCALE: _____ SHEET _____ OF _____ SHEETS STA. _____ TO STA. _____		CONTRACT NO. 66750			
		DATE -	REVISED -			ILLINOIS FED. AID PROJECT					