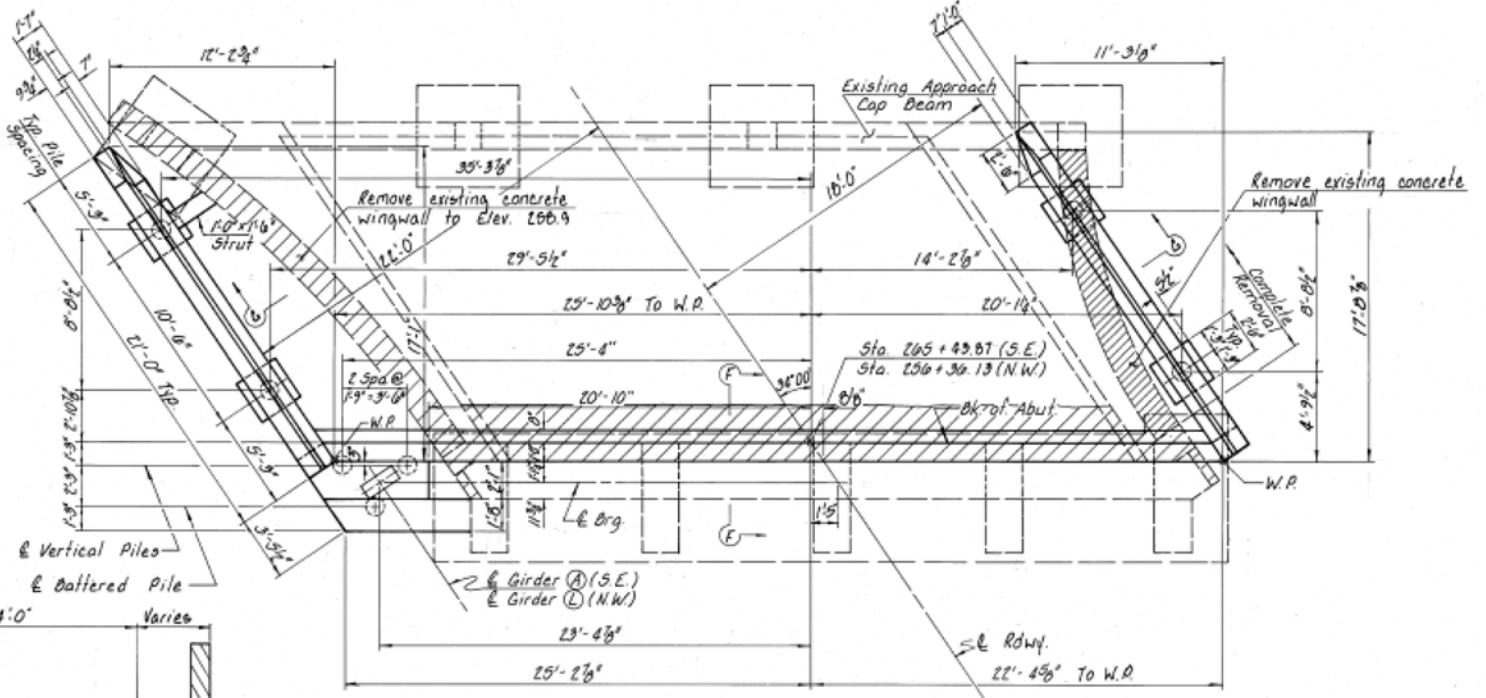
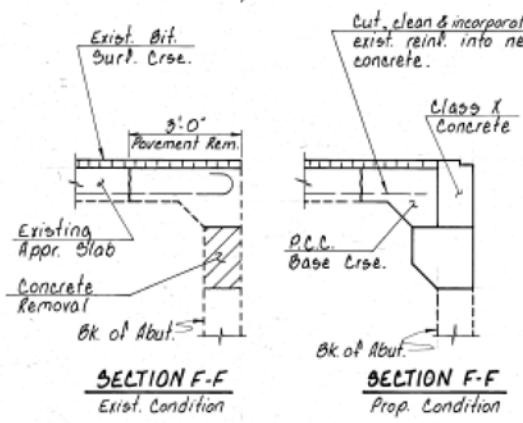
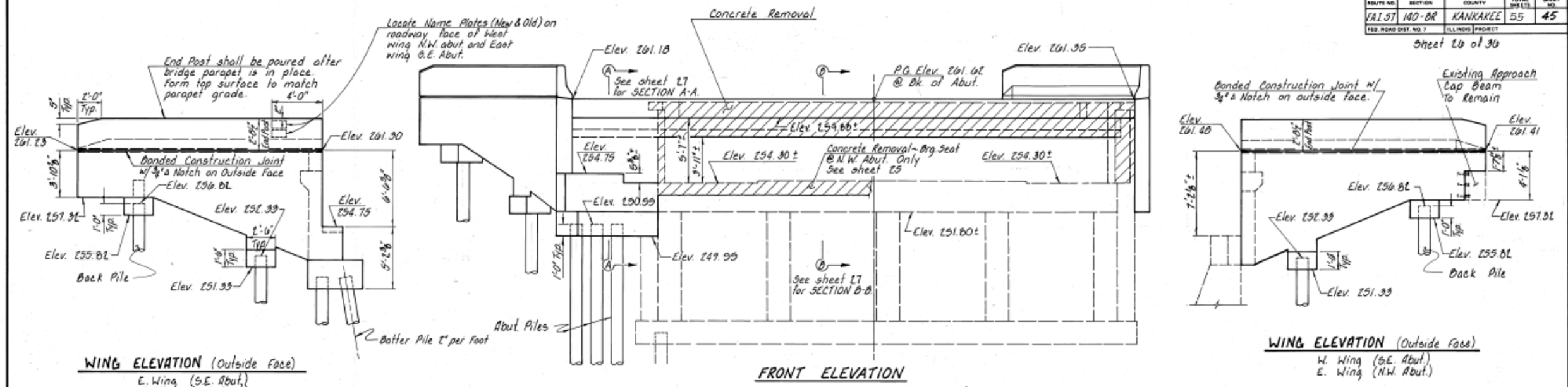


ROUTE NO.	SECTION	COUNTY	TOTAL SHEETS	SHEET NO.
FAI 57	140-BR	KANKAKEE	55	45
ILLINOIS PROJECT				

Sheet 45 of 50



**PILE DATA - ABUTMENTS**

Type	Concrete
No. Req'd (1 Abut.)	6
Capacity	45 Tons / Pile
Est. Length	21 Ft / Pile (N.W. Abut.) 34 Ft / Pile (S.E. Abut.)

**PILE DATA - WINGS**

Type	Concrete
No. Req'd	6
Capacity	25 Tons / Pile
Est. Length	21 Ft / Pile (N.W. Abut. Bk.) 17 Ft / Pile (N.W. Abut. Ff.) 27 Ft / Pile (S.E. Abut. Bk.) 23 Ft / Pile (S.E. Abut. Ff.)

Work this sheet with sheets 25 & 27

**S.E. & N.W. ABUTMENTS**  
F.A.I. ROUTE 57  
SECTION 140-BR  
KANKAKEE COUNTY  
STATION 260+90

**COLLINS AND RICE**  
CONSULTING ENGINEERS

DRAWN A.R.K. CHECKED F.B. & R.M.B.  
DATE 12-15-84 NO. 1078

FOR INFORMATION ONLY

FILE NAME -	USER NAME - \$USER\$	DESIGNED -	REVISED -	<b>STATE OF ILLINOIS DEPARTMENT OF TRANSPORTATION</b>	<b>REPAIR BRIDGE PLANS 1987</b>	F.A.I. RTE.	SECTION	COUNTY	TOTAL SHEETS	SHEET NO.	
\$FILEL\$	PLOT SCALE = \$SCALE\$	DRAWN -	REVISED -			57	(140BR, BR-1 & II)	KANKAKEE	183	147	
\$MODELNAME\$	PLOT DATE = \$DATE\$	CHECKED -	REVISED -			CONTRACT NO. 66750					
						ILLINOIS FED. AID PROJECT					