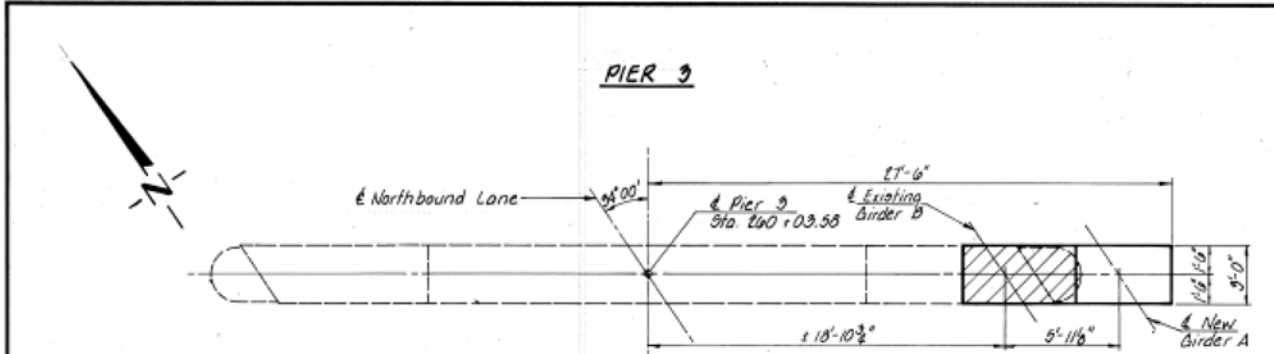
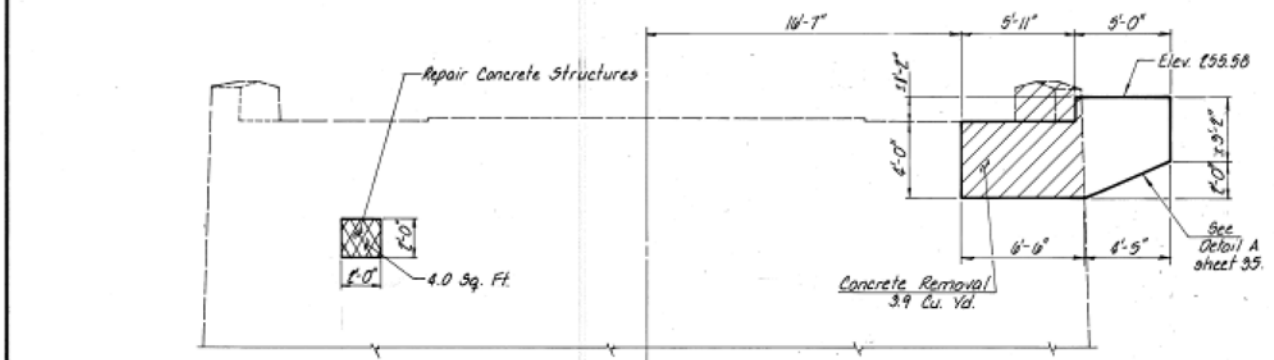


ROUTE NO.	SECTION	COUNTY	TOTAL SHEETS	SHEET NO.
FAI 57	140-BR	KANKAKEE	55	52
ILLINOIS PROJECT		Sheet 33 of 36		

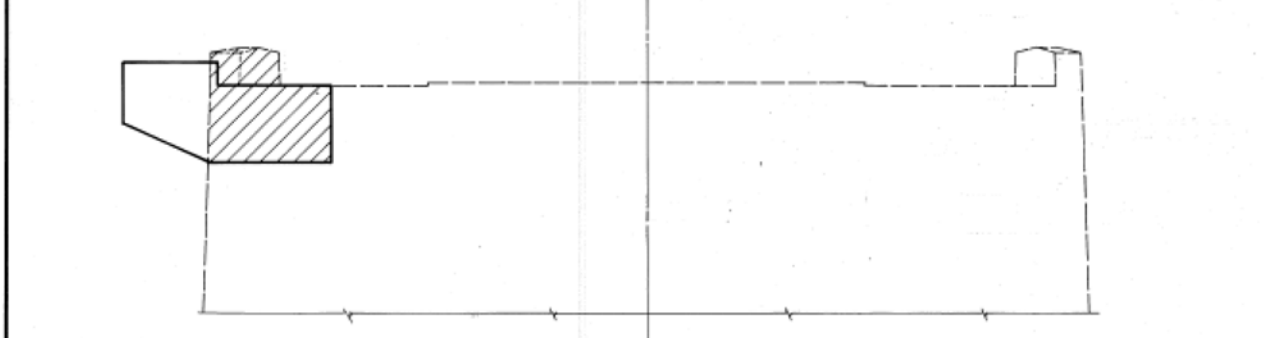


TOP PLAN

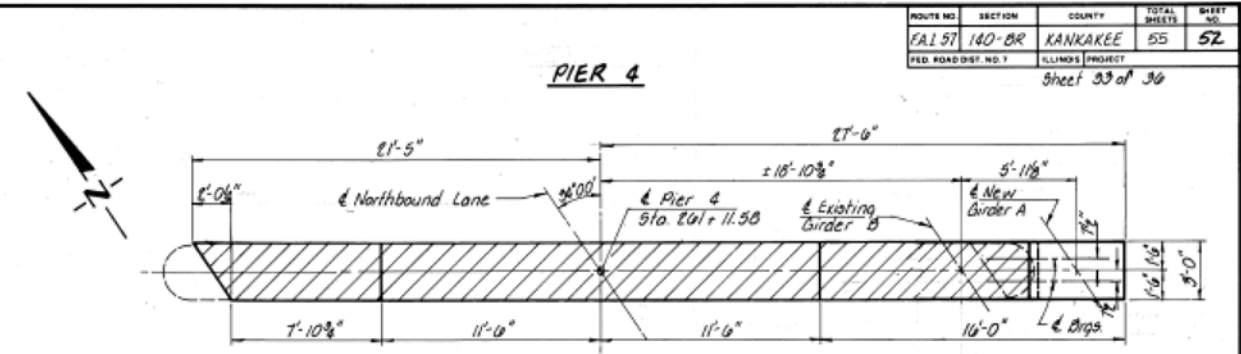
Note: Cross hatched portion indicates Repair Concrete Structures. Hatched portion indicates Concrete Removal. Clean and incorporate existing reinforcement into new concrete and concrete patch.



ELEVATION (LOOKING NORTH)



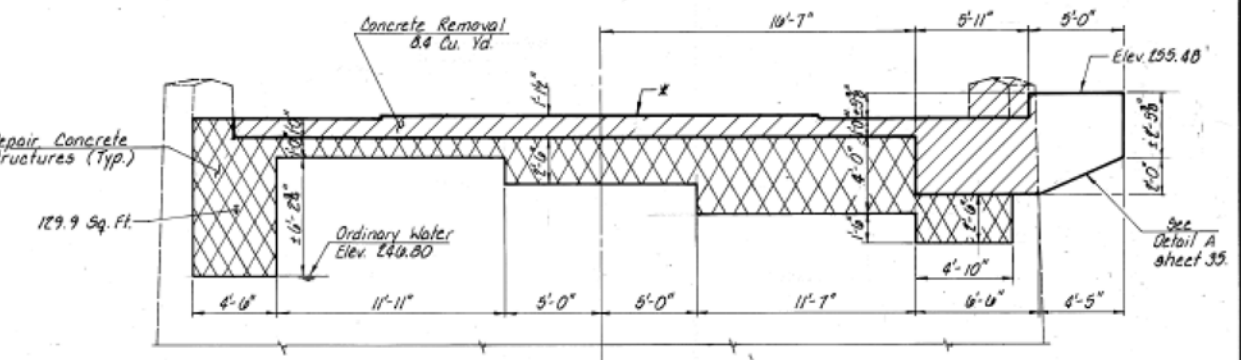
ELEVATION (LOOKING SOUTH)



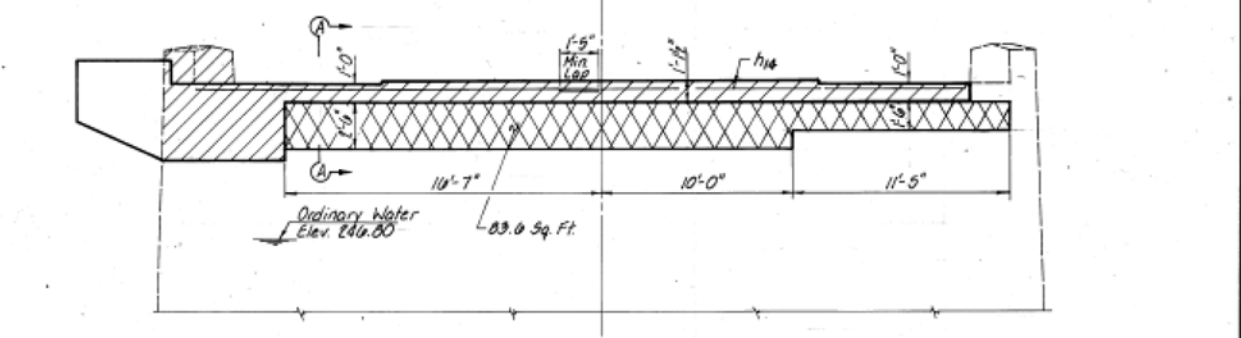
TOP PLAN

Note: Cross hatched portion indicates Repair Concrete Structures. Hatched portion indicates Concrete Removal. Clean and incorporate existing reinforcement into new concrete and concrete patch.

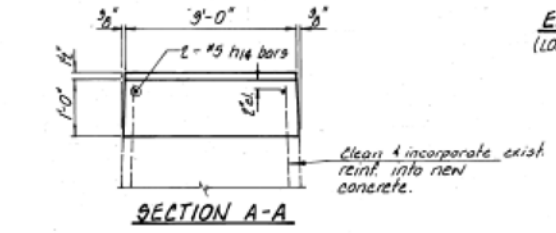
* New concrete to be built up to the same elevation as the existing concrete before removal.



ELEVATION (LOOKING NORTH)



ELEVATION (LOOKING SOUTH)



SECTION A-A

PIERS 3 & 4 - NORTHBOUND
 F.A.I. ROUTE 57
 SECTION 140-BR
 KANKAKEE COUNTY
 STATION 260 + 90
COLLINS AND RICE
 CONSULTING ENGINEERS
 DESIGNED A.R.K. CHECKED F.O. & R.M.B.
 DRAWN M.B. DATE 12-15-84 NO. 1874

FOR INFORMATION ONLY

FILE NAME =	USER NAME = \$USER\$	DESIGNED -	REVISED -	STATE OF ILLINOIS DEPARTMENT OF TRANSPORTATION	REPAIR BRIDGE PLANS 1987	SCALE: _____ SHEET _____ OF _____ SHEETS STA. _____ TO STA. _____	F.A.I. RTE. 57	SECTION (140BR, BR-1 & II)	COUNTY KANKAKEE	TOTAL SHEETS 183	SHEET NO. 151
\$FILEL\$	PLOT SCALE = \$SCALE\$	DRAWN -	REVISED -				CONTRACT NO. 66750				
\$MODELNAME\$	PLOT DATE = \$DATE\$	CHECKED -	REVISED -				ILLINOIS FED. AID PROJECT				
		DATE -	REVISED -								