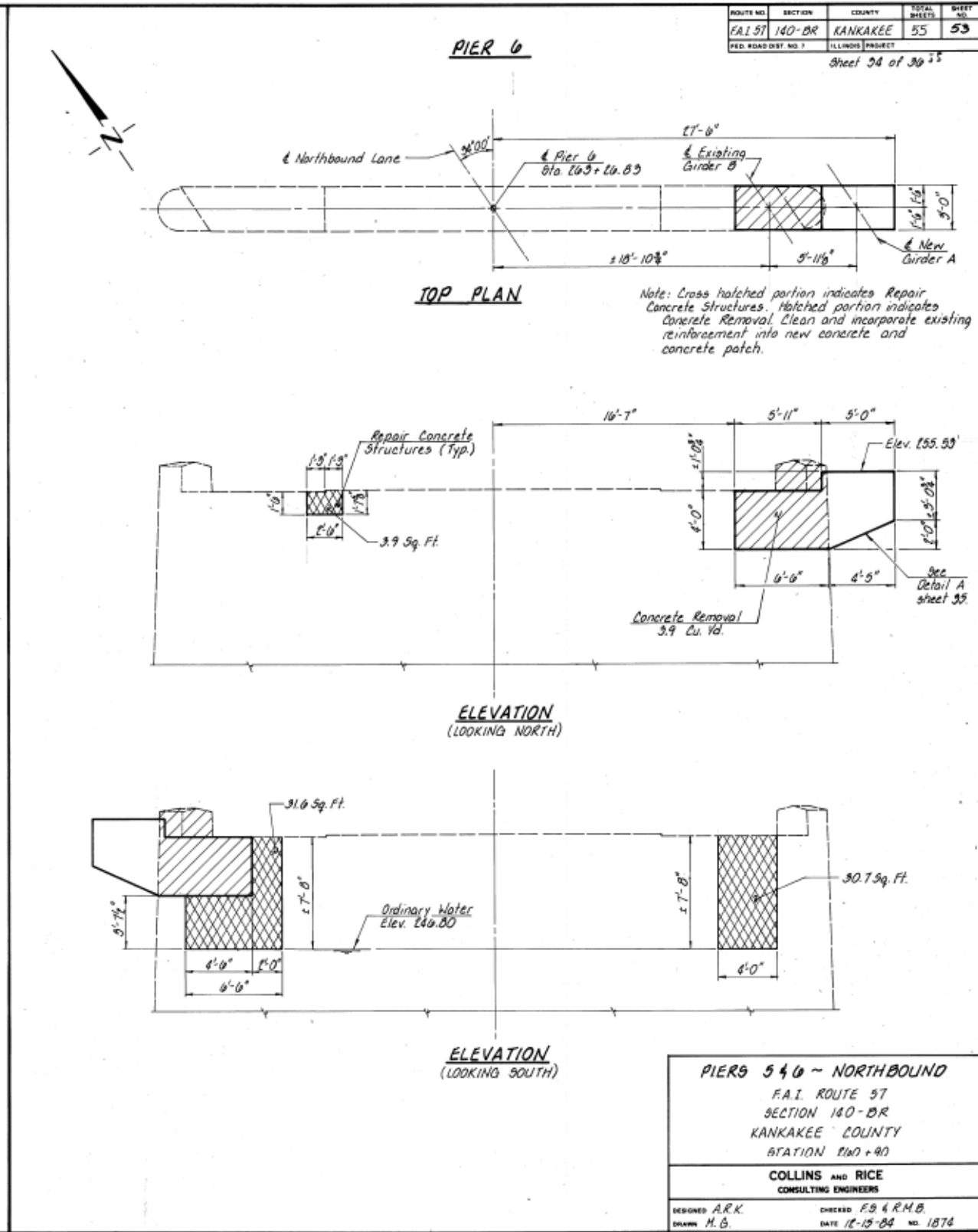
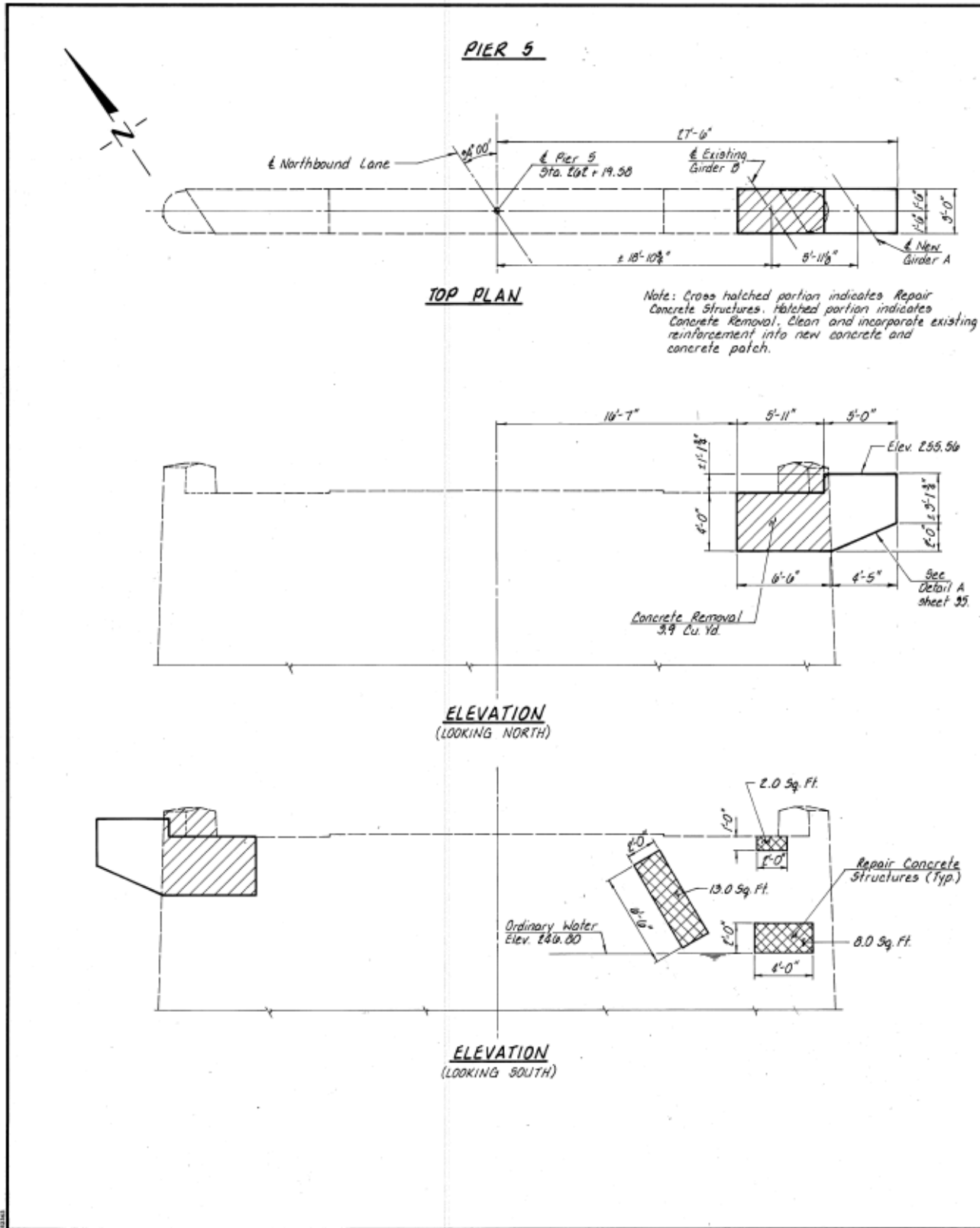


ROUTE NO.	SECTION	COUNTY	TOTAL SHEETS	SHEET NO.
FAI 57	140-BR	KANKAKEE	55	53
ILLINOIS PROJECT				
Sheet 54 of 59				



PIERS 540 - NORTHBOUND
 F.A.I. ROUTE 57
 SECTION 140-BR
 KANKAKEE COUNTY
 STATION 260+90

COLLINS AND RICE
 CONSULTING ENGINEERS

DESIGNED ARK
 DRAWN M.B.

CHECKED F.B. & R.M.B.
 DATE 11-13-84 NO. 1874

FOR INFORMATION ONLY

FILE NAME -	USER NAME - \$USER\$	DESIGNED -	REVISED -	STATE OF ILLINOIS DEPARTMENT OF TRANSPORTATION	REPAIR BRIDGE PLANS 1987	F.A.I. RTE.	SECTION	COUNTY	TOTAL SHEETS	SHEET NO.	
\$FILEL\$		DRAWN -	REVISED -			57	(140BR, BR-1 & II)	KANKAKEE	183	152	
\$MODELNAME\$		CHECKED -	REVISED -			CONTRACT NO. 66750					
		DATE -	REVISED -			ILLINOIS FED. AID PROJECT					