

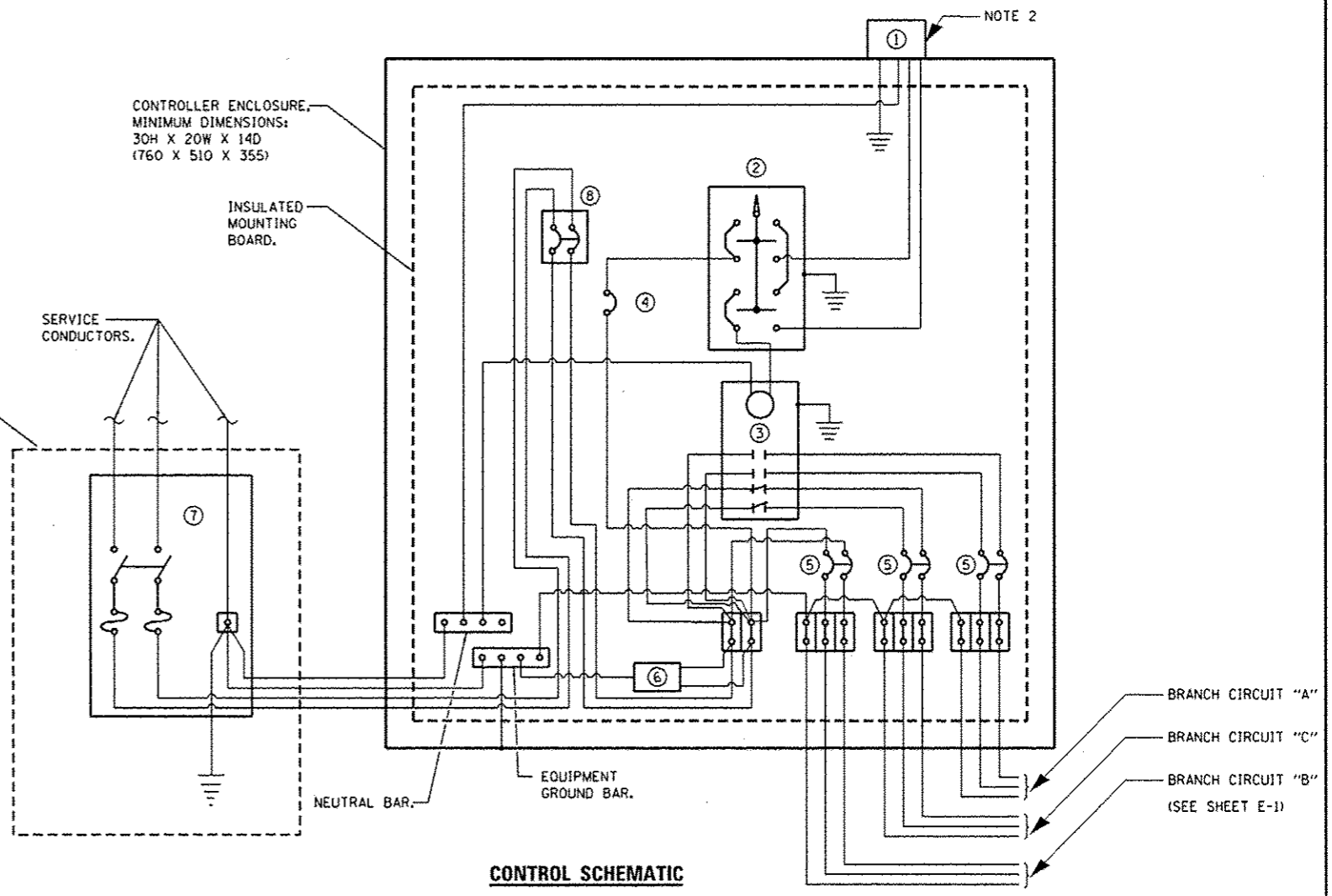
**CONTROLLER INSTALLATION**

- SIZE LARGER AS NEEDED.
- OR AS DIRECTED BY UTILITY COMPANY.

**NOTES:**

1. TOP OF WOOD POLE SHALL BE CUT OFF LEAVING 6" OF CLEARANCE ABOVE METER ENCLOSURE. THE WOOD POLE CUT SHALL BE PRESERVATIVE - TREATED ACCORDING TO THE APWA STANDARD T1 AND DESIGNATED PER STANDARD M6. WOOD POLE SHALL NOT BE MEASURED FOR PAYMENT BUT SHALL BE INCLUDED IN COST OF PAY ITEM "LIGHTING CONTROLLER, SPECIAL".
2. USE UNDER EAVE PHOTOCELL TO MAKE THE INSTALLATION MORE VANDAL RESISTANT.

INSTALLED ON SEPARATE WOOD POLE AS SHOWN IN SHEET E-4 NEAR THE COMED SERVICE TRANSFORMER



**CONTROL SCHEMATIC**

- ① PHOTOCELL WITH INTEGRAL SURGE ARRESTER.
  - ② HAND-OFF-AUTO SELECTOR SWITCH.
  - ③ 60 AMP, ELECTRICALLY HELD CONTACTOR SHALL BE NEMA, SIZE 3, 2 POLE, 60 HZ, 600V, OPEN PANEL MOUNT, AT LEAST 2 OPEN, AT LEAST 2 CLOSED AND ELECTRICALLY HELD AND UL LABELED
  - ④ 15 AMP, 1-POLE CIRCUIT BREAKER.
  - ⑤ 20 AMP, 2-POLE CIRCUIT BREAKER.
  - ⑥ SURGE ARRESTER.
  - ⑦ SERVICE DISCONNECT SWITCH - 2-POLE, 3-WIRE, 30 AMP, FUSED AT 30 AMP, SOLID NEUTRAL IN NEMA 4X ENCLOSURE HAVING LOCKABLE EXTERNAL HANDLE.
  - ⑧ MAIN CIRCUIT BREAKER, 2 POLE, 600 VOLT 30 AMP
- SIZE LARGER AS NEEDED.

**GENERAL NOTES**

- PROVIDE 12X9X1 (305X225X25) WATERTIGHT POUCH MOUNTED INSIDE CONTROLLER DOOR WITH AS-BUILT PLANS AND SCHEMATICS.
- PROVIDE ENGRAVED NAMEPLATE ON FRONT OF ENCLOSURE READING "PEDESTRIAN LIGHTING".
- ENCLOSURES SHALL BE MOUNTED TO POLE WITH POLE-BANDS AND LAG-BOLTS.
- WORK PAD NOT SHOWN.
- ALL DIMENSIONS ARE IN INCHES (MILLIMETERS) UNLESS OTHERWISE SHOWN.

FILE NAME :	USER NAME :	DESIGNED :	REVISED :	<b>STATE OF ILLINOIS DEPARTMENT OF TRANSPORTATION</b>	<b>WALKWAY UNDER I-57 CONTROLLER DETAILS</b>	F.A. RTE.:	SECTION:	COUNTY:	TOTAL SHEETS:	SHEET NO.:	
Er:\Project\I-57 Walkway\CADD file\0366720-Sht-Light-03.dgn		DRAWN :	REVISED :			57	((40)BR, BR-1 & II)	KANKAKEE	183	131	
Default		CHECKED :	REVISED :			<b>CONTRACT NO. 66750</b>					
		DATE :	REVISED :			ILLINOIS FED. AID PROJECT					