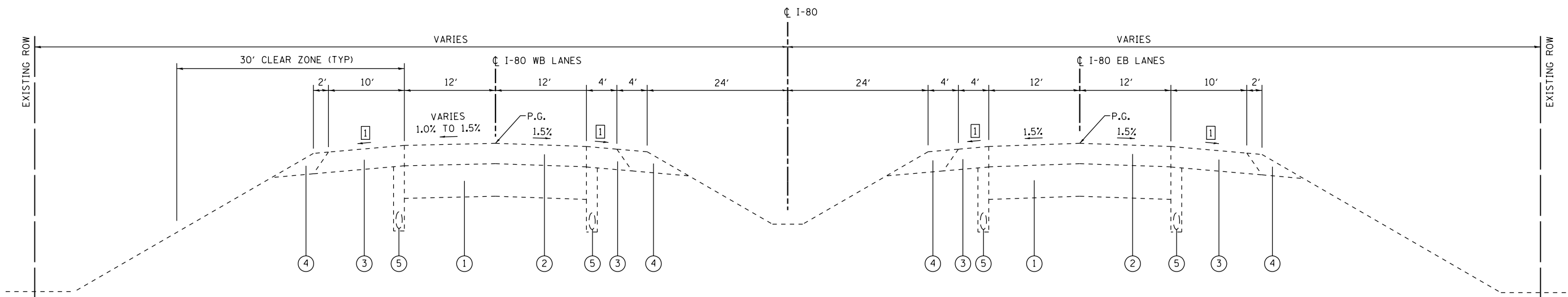


**EXISTING FAI 80 (I-80)**

STA. 408+00.00 TO STA. 413+00.00 EB & WB



**EXISTING FAI 80 (I-80)**

STA. 404+59.85 TO STA. 408+00.00 EB & WB  
 STA. 436+00.00 TO STA. 445+00.00 EB & WB

- ① SEE STANDARD 482001 FOR SHOULDER CROSS SLOPE
- ② SUPERELEVATION TRANSITION FROM STA. 408+00.00 TO STA. 410+73.92 SE = 1.5% FROM STA. 410+73.92 TO STA. 424+50.00

- ① EXISTING CONCRETE PAVEMENT 10"
- ② EXISTING HOT-MIX ASPHALT RESURFACING 6 1/4"
- ③ EXISTING HOT-MIX ASPHALT SHOULDER
- ④ EXISTING AGGREGATE SHOULDER
- ⑤ EXISTING PIPE UNDERDRAIN
- ⑥ PROPOSED HOT-MIX ASPHALT SURFACE REMOVAL 1 3/4"
- ⑦ PROPOSED HOT-MIX ASPHALT BINDER COURSE, VARIABLE DEPTH
- ⑧ PROPOSED HOT-MIX ASPHALT SURFACE COURSE, 1 3/4"
- ⑨ PROPOSED HOT-MIX ASPHALT SHOULDERS, VARIABLE DEPTH
- ⑩ PROPOSED AGGREGATE SHOULDERS, TYPE B, 6"
- ⑪ PROPOSED AGGREGATE BASE COURSE TYPE B, 10"
- ⑫ PROPOSED PORTLAND CEMENT CONCRETE SIDEWALK, 6"
- ⑬ PROPOSED HOT-MIX ASPHALT SURFACE REMOVAL, VAR. DEPTH
- ⑭ PROPOSED HOT-MIX ASPHALT SURFACE COURSE, VAR. DEPTH

**LEGEND**

FILE NAME = D366998-sht-typical.dgn	USER NAME = brianheil	DESIGNED -	REVISED -
	PLOT TIME = 7:18:18 PM	DRAWN -	REVISED -
	PLOT SCALE = 100.0000' / in.	CHECKED -	REVISED -
	PLOT DATE = 7/30/2013	DATE -	REVISED -

**STATE OF ILLINOIS  
 DEPARTMENT OF TRANSPORTATION**

<b>TYPICAL SECTIONS</b>			
SCALE:	SHEET 1	OF 6 SHEETS	STA. TO STA.

F.A.I. RTE.	SECTION	COUNTY	TOTAL SHEETS	SHEET NO.
80	(06-2) BR-3,4	BUREAU	133	11
<b>CONTRACT NO. 66998</b>				
ILLINOIS FED. AID PROJECT				