

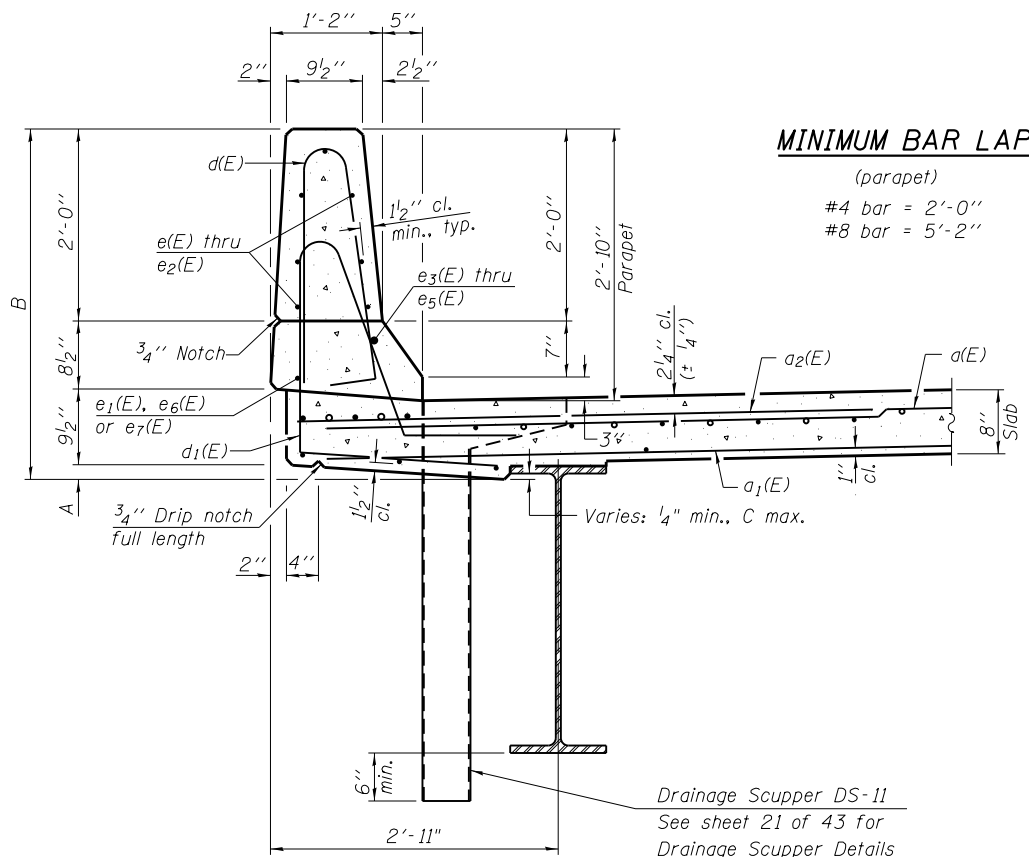
INSIDE ELEVATION OF PARAPET

**SUPERSTRUCTURE
BILL OF MATERIAL**

(Two Structures)

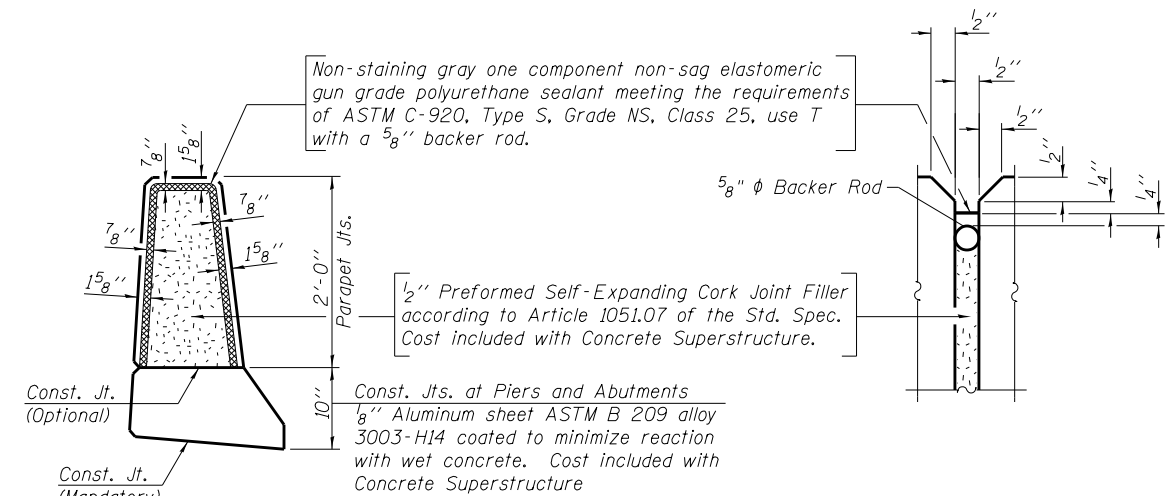
Bar	No.	Size	Length	Shape
d(E)	798	#5	43'-6"	—
a1(E)	494	#5	42'-10"	—
a2(E)	1596	#6	6'-6"	—
a3(E)	16	#5	31'-9"	—
a4(E)	16	#5	1'-6"	—
b(E)	658	#5	28'-3"	—
b1(E)	176	#6	35'-8"	—
b2(E)	576	#5	25'-1"	—
d(E)	796	#5	5'-7"	┌
d1(E)	796	#5	7'-6"	┌
e(E)	168	#4	15'-7"	—
e1(E)	128	#4	8'-3"	—
e2(E)	84	#4	17'-1"	—
e3(E)	16	#8	26'-4"	—
e4(E)	16	#8	8'-3"	—
e5(E)	8	#8	28'-7"	—
e6(E)	16	#4	25'-0"	—
e7(E)	8	#4	27'-0"	—
m(E)	32	#6	32'-6"	—
m1(E)	60	#6	10'-6"	—
m2(E)	24	#6	2'-6"	—
m3(E)	72	#5	4'-0"	—
s(E)	164	#5	9'-10"	┌
s1(E)	164	#5	9'-0"	┌
v(E)	176	#5	3'-1"	┌
Reinforcement Bars, Epoxy Coated	Pound	141,760		
Concrete Superstructure	Cu. Yds.	563.7		

Bars indicated thus 1 x 2-#8 etc. indicates 1 line of bars with 2 lengths per line.



SECTION THRU PARAPET

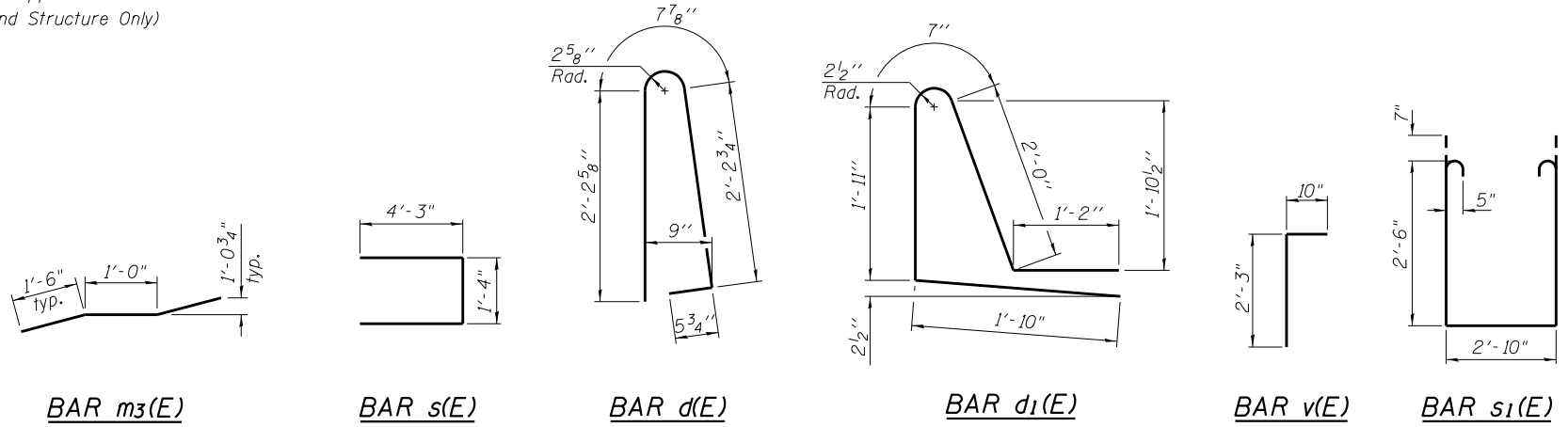
MINIMUM BAR LAP
(parapet)
#4 bar = 2'-0"
#8 bar = 5'-2"



PARAPET JOINT DETAILS

SOFFIT DIMENSIONS

Location	A	B	C
WB BM 1	3 3/8"	3'-9 3/8"	1 3/8"
WB BM 6	2 1/2"	3'-8 1/2"	1 3/8"
EB BM 7	3 3/8"	3'-9 3/8"	1 3/8"
EB BM 12	2 3/4"	3'-8 3/4"	1 5/8"



BAR m3(E) BAR s(E) BAR d(E) BAR d1(E) BAR v(E) BAR s1(E)

FILE NAME = 0060184_0185_66998-13-DeckDetails.dgn
MODEL = Default
PLOT DRIVER = V8...PDF...1x17.pltcf9



USER NAME = tfray	DESIGNED - SCD	REVISD
FILE NAME =	CHECKED - DRB	REVISD
PLOT SCALE = 480:0.0000 ' / ft.	DRAWN - TKW	REVISD
PLOT DATE = 7/29/2013	CHECKED - SCD	REVISD

**STATE OF ILLINOIS
DEPARTMENT OF TRANSPORTATION**

**SUPERSTRUCTURE DETAILS
STRUCTURE NO. 006-0184 (E.B.) & 006-0185 (W.B.)**

F.A.I. RTE.	SECTION	COUNTY	TOTAL SHEETS	SHEET NO.
80	(06-2)BR-3,4	BUREAU	133	57
CONTRACT NO. 66998				
ILLINOIS FED. AID PROJECT				