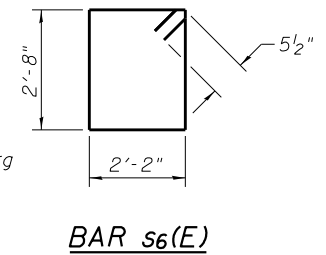
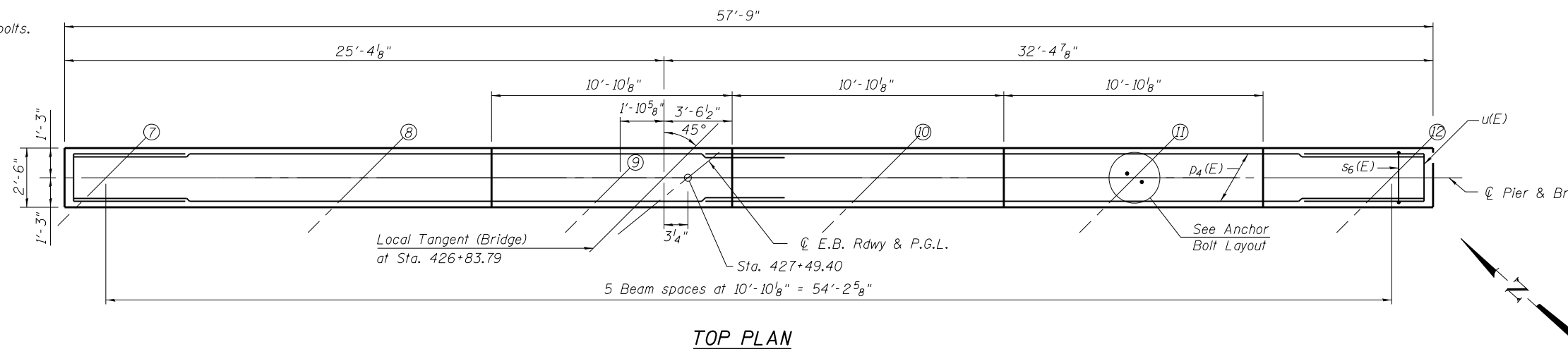


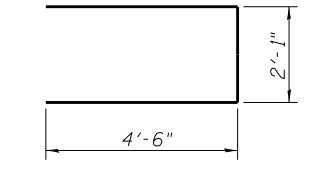
Notes:
 Space reinforcement in cap to miss anchor bolts.
 Pour steps monolithically with cap.
 For details of piles, see sheet 36 of 43.

PILE DATA

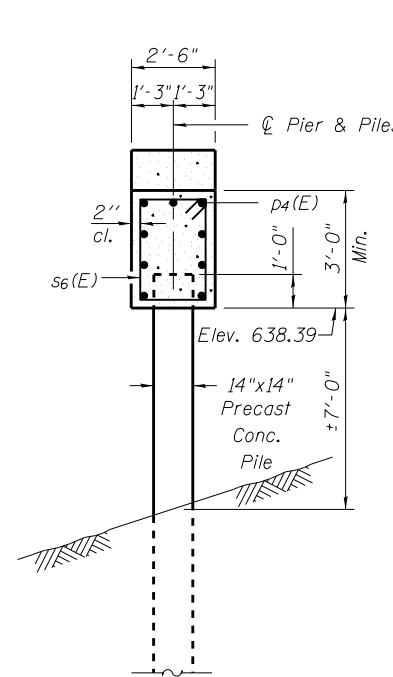
Type: Precast 14"x14"
 Nominal Required Bearing: 265 kips
 Factored Resistance Available: 146 kips
 Est. Length: 46'
 No. Production Piles: 12
 No. Test Piles: 1



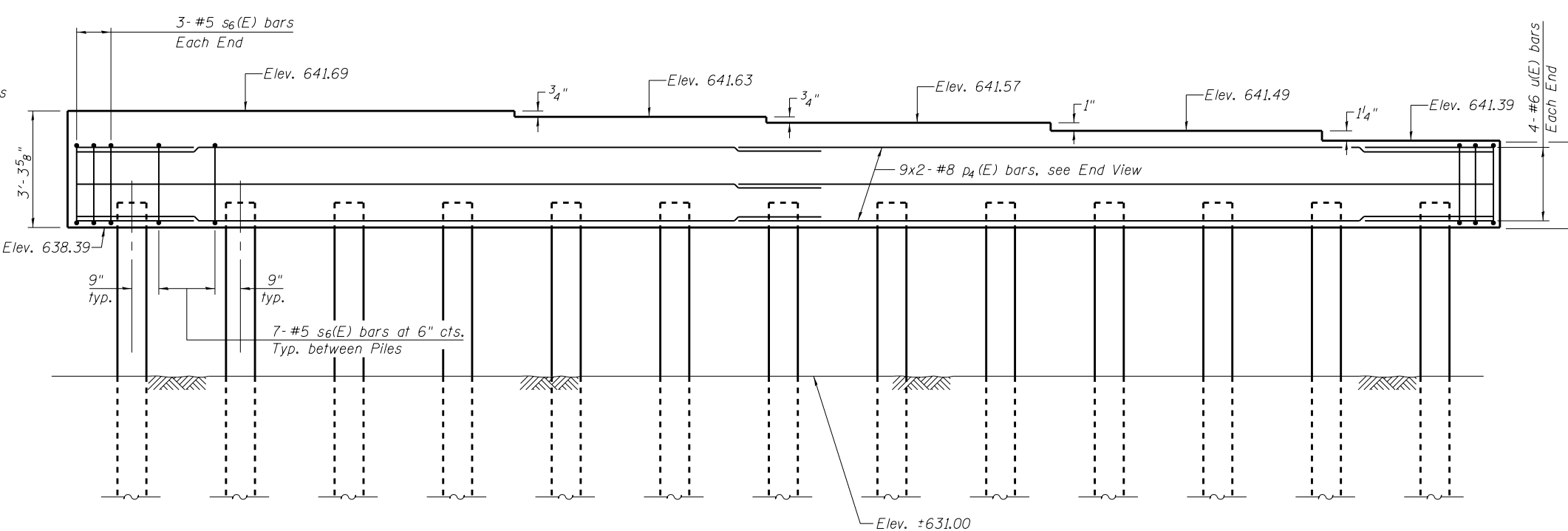
BAR s6(E)



BAR u(E)

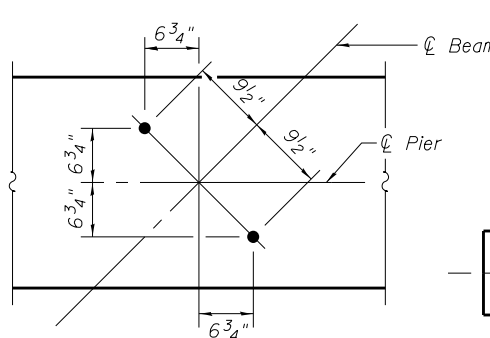


END VIEW

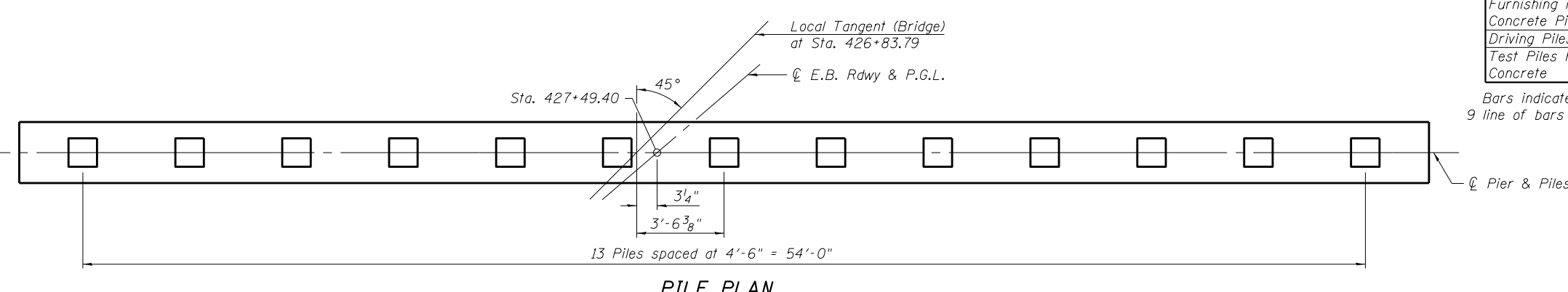


ELEVATION
(Looking East)

MIN BAR LAP
 #8 7'-8"



ANCHOR BOLT LAYOUT



PILE PLAN

BILL OF MATERIAL

Bar	No.	Size	Length	Shape
p4(E)	18	#8	32'-6"	—
s6(E)	90	#5	10'-7"	□
u(E)	8	#6	11'-1"	⊔
Concrete Structures		Cu. Yd.	17.1	
Reinforcement Bars, Epoxy Coated		Pound	2,690	
Furnishing Precast Concrete Piles 14"		Foot	552	
Driving Piles		Foot	552	
Test Piles Precast Concrete		Each	1	

Bars indicated thus 9 x 2-#8 etc. indicates 9 line of bars with 2 lengths per line.

FILE NAME = 0060184_0185_66998-32-Pier-2EB.dgn
 MODEL = Default
 PLOT DRIVER = V8_PDF_11x17.plt



USER NAME = tfray	DESIGNED - SCD	REVISED
FILE NAME =	CHECKED - DRB	REVISED
PLOT SCALE = 240.0000' / ft.	DRAWN - TKW	REVISED
PLOT DATE = 7/29/2013	CHECKED - SCD	REVISED

STATE OF ILLINOIS
 DEPARTMENT OF TRANSPORTATION

PIER 2 DETAILS
 STRUCTURE NO. 006-0184 (E.B.)

SHEET NO. 32 OF 43 SHEETS

F.A.I R.T.E.	SECTION	COUNTY	TOTAL SHEETS	SHEET NO.
80	(06-2)BR-3,4	BUREAU	133	76
CONTRACT NO. 66998				
ILLINOIS FED. AID PROJECT				