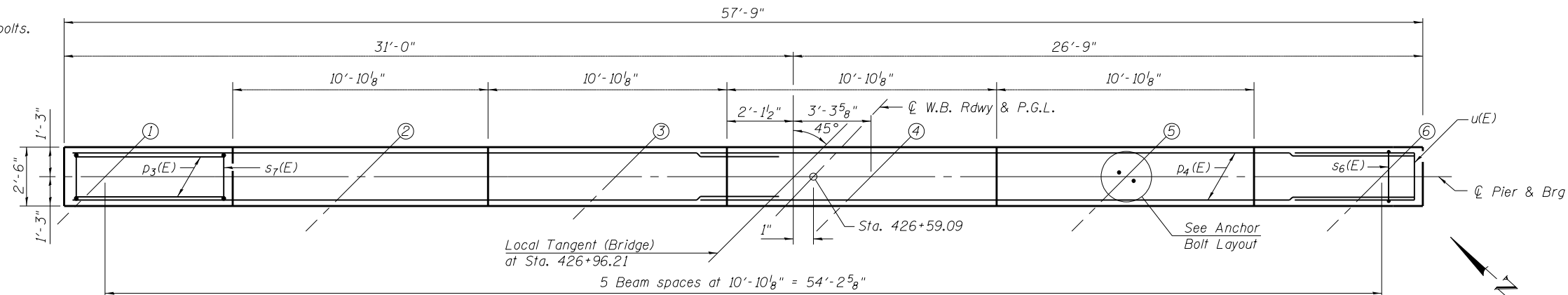


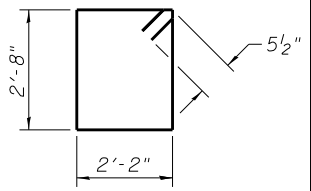
Notes:
 Space reinforcement in cap to miss anchor bolts.
 Pour steps monolithically with cap.
 For details of piles, see sheet 36 of 43.

PILE DATA

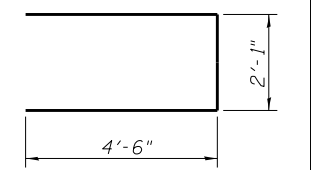
Type: Precast 14"x14"
 Nominal Required Bearing: 265 kips
 Factored Resistance Available: 146 kips
 Est. Length: 47'
 No. Production Piles: 12
 No. Test Piles: 1



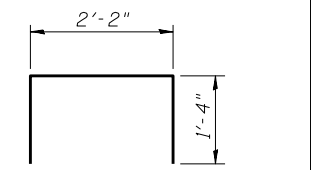
TOP PLAN



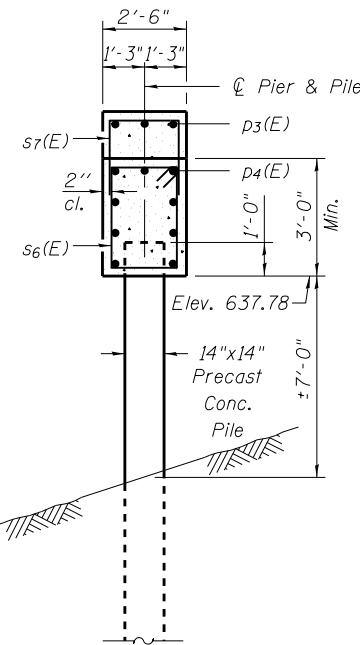
BAR s6(E)



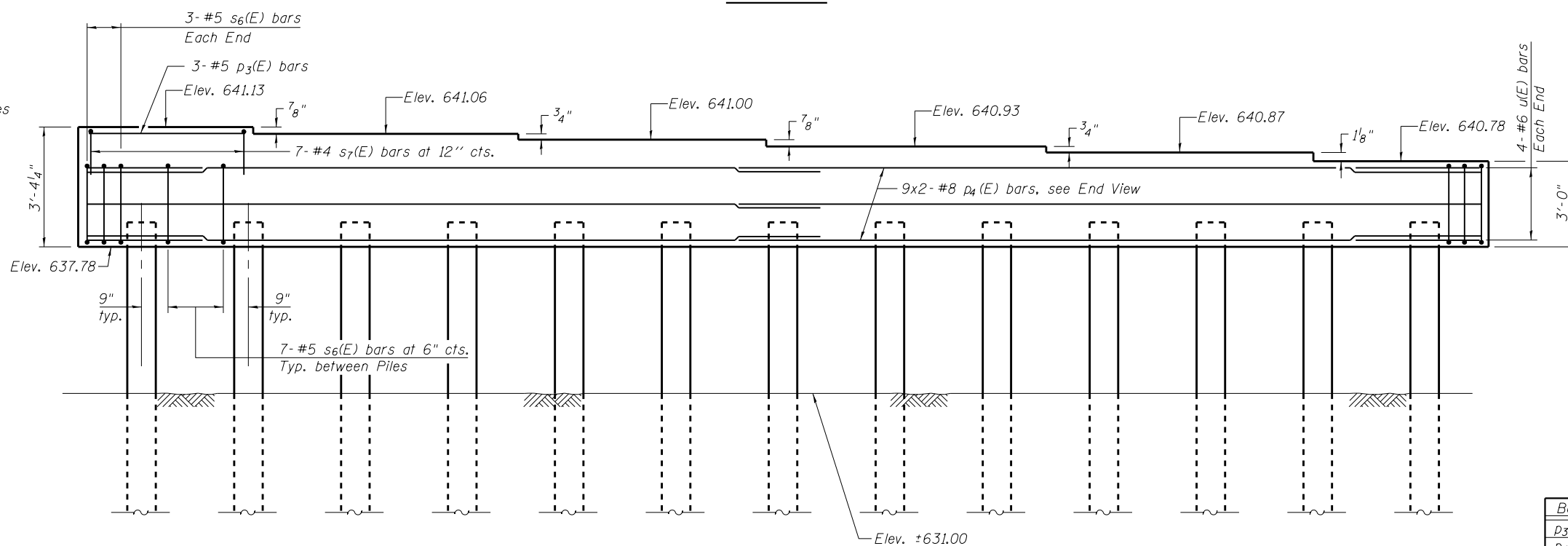
BARS u(E)



BAR s7(E)



END VIEW



ELEVATION
(Looking East)

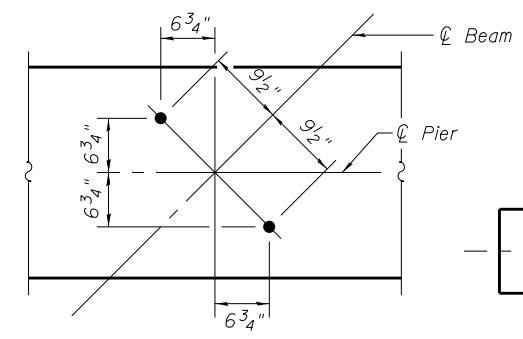
MIN BAR LAP

#8 7'-8"

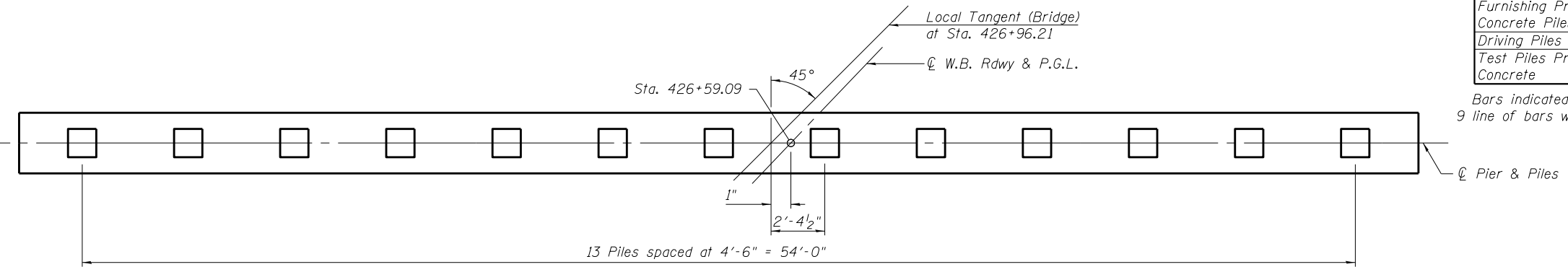
BILL OF MATERIAL

Bar	No.	Size	Length	Shape
p3(E)	3	#5	6'-9"	—
p4(E)	18	#8	32'-6"	—
s6(E)	90	#5	10'-7"	□
s7(E)	7	#4	4'-10"	□
u (E)	8	#6	11'-1"	□
Concrete Structures		Cu. Yd.	17.0	
Reinforcement Bars, Epoxy Coated		Pound	2,730	
Furnishing Precast Concrete Piles 14"		Foot	564	
Driving Piles		Foot	564	
Test Piles Precast Concrete		Each	1	

Bars indicated thus 9 x 2-#8 etc. indicates 9 line of bars with 2 lengths per line.



ANCHOR BOLT LAYOUT



PILE PLAN

FILE NAME = 0060184_0185_66998-34-Pier2WB.dgn
 MODEL = Default
 PLOT DRIVER = V8_PDF_11x17.plt



USER NAME = tfrrey
 FILE NAME =
 PLOT SCALE = 240.0000' / ft.
 PLOT DATE = 7/29/2013

DESIGNED - SCD
 CHECKED - DRB
 DRAWN - TKW
 CHECKED - SCD
 REVISED
 REVISED
 REVISED
 REVISED

STATE OF ILLINOIS
 DEPARTMENT OF TRANSPORTATION

PIER 2 DETAILS
 STRUCTURE NO. 006-0185 (W.B.)

SHEET NO. 34 OF 43 SHEETS

F.A.I R.T.E.	SECTION	COUNTY	TOTAL SHEETS	SHEET NO.
80	(06-2)BR-3,4	BUREAU	133	78
CONTRACT NO. 66998				

ILLINOIS FED. AID PROJECT