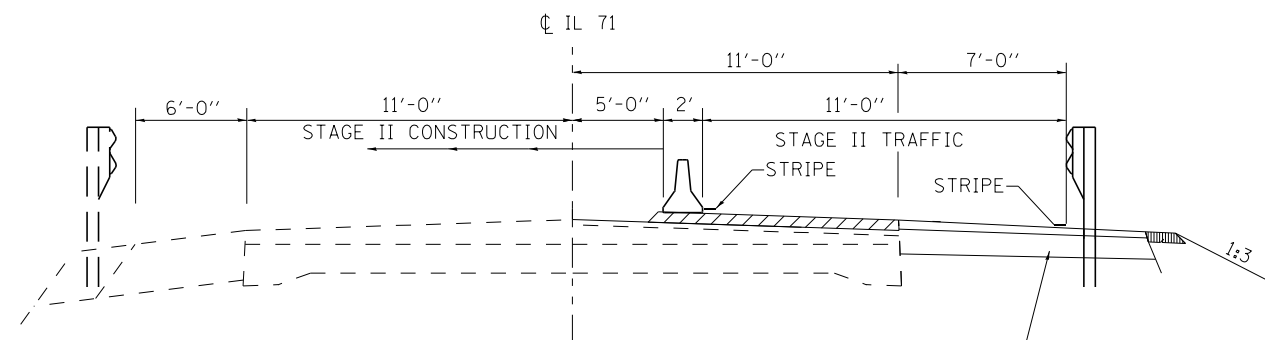


STAGE I TYPICAL SECTION

•REPLACE WITH 7' WIDE HMA SHOULDER

6' EXISTING HMA SHOULDER
REPLACE WITH HMA SHOULDERS, 9"
PRIOR TO STAGE I CONSTRUCTION*



STAGE II TYPICAL SECTION

HMA SHOULDERS, 9"
CONSTRUCTED IN STAGE I

FILE NAME =	USER NAME = pletschr	DESIGNED -	REVISED -
ct:\pw\work\pwidot\pletschr\d0249716\0366813-sht-details.DGN		DRAWN -	REVISED -
	PLOT SCALE = 100.0000' / in.	CHECKED -	REVISED -
	PLOT DATE = 8/2/2013	DATE -	REVISED -

STATE OF ILLINOIS
DEPARTMENT OF TRANSPORTATION

STAGE CONSTRUCTION TYPICAL SECTIONS

SCALE: SHEET NO. OF SHEETS STA. TO STA.

F.A.P. RTE.	SECTION	COUNTY	TOTAL SHEETS	SHEET NO.
311	(4)BR-1	LASALLE	38	13
FED. ROAD DIST. NO. ILLINOIS FED. AID PROJECT			CONTRACT NO. 66B13	