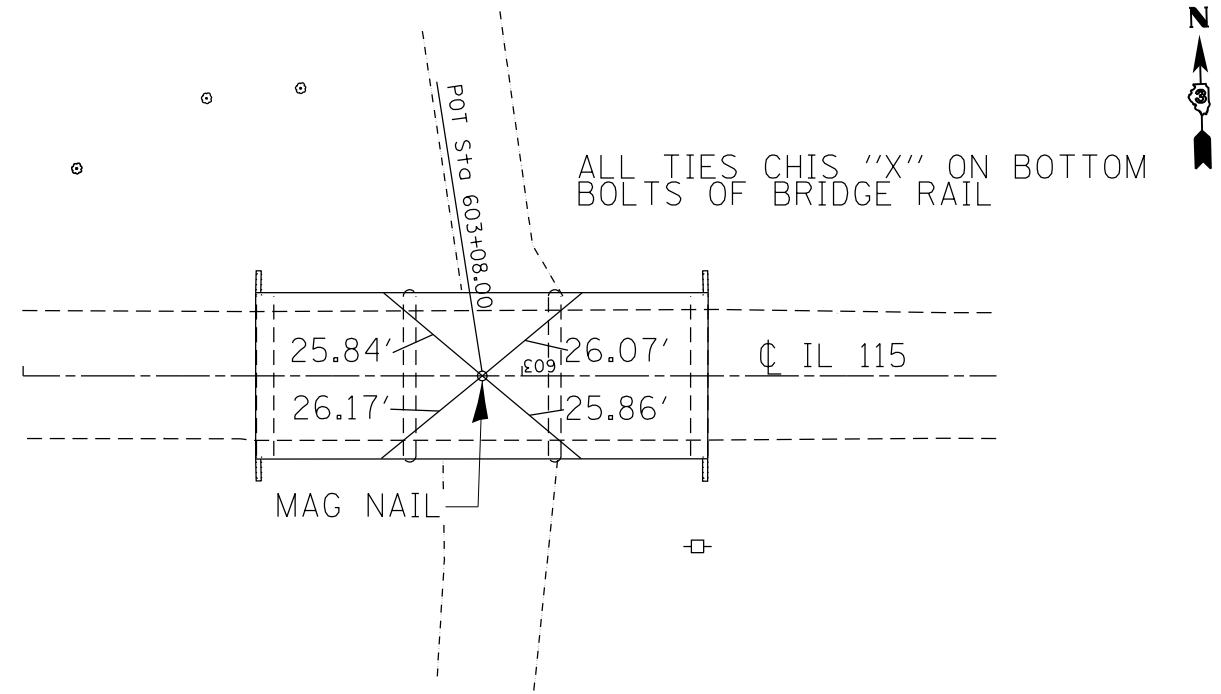
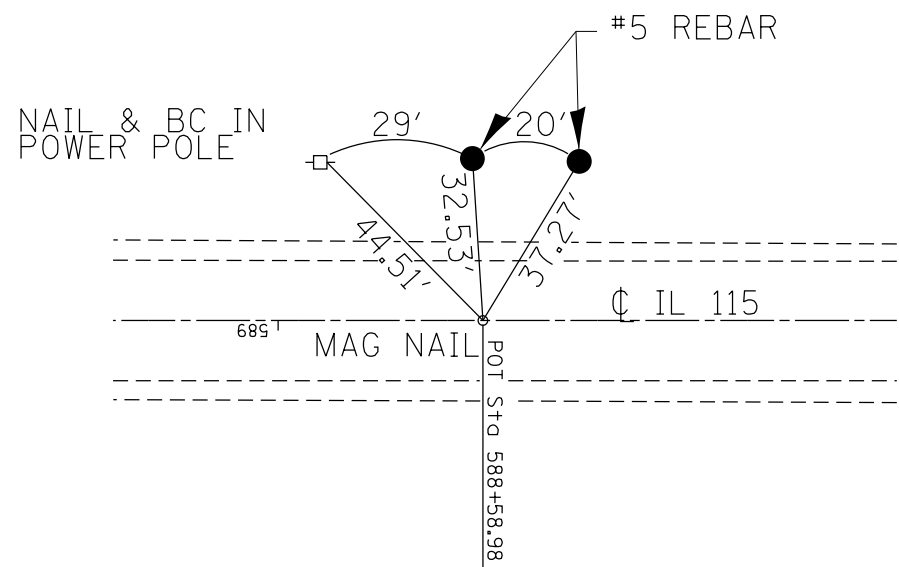


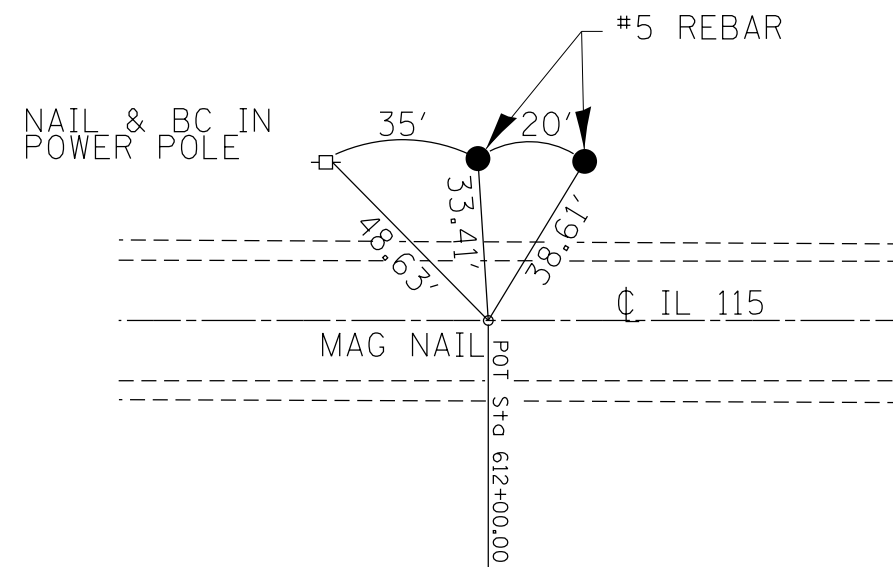
115505 STA. 597 + 88.80, 21.02' LT



SN 048-0109 STA. 603 + 08.00



POT STA. 588 + 58.98



POT STA. 612 + 00.00

FILE NAME =	USER NAME = duncanbd	DESIGNED -	REVISED -
c:\pwork\work\pwork\dot\duncanbd\dms68355\EP04404-sh1-ATB.dgn		DRAWN -	REVISED -
	PLOT SCALE = 100.0000' / in.	CHECKED -	REVISED -
	PLOT DATE = 8/12/2013	DATE -	REVISED -

**STATE OF ILLINOIS
DEPARTMENT OF TRANSPORTATION**

ALIGNMENT, TIES & BENCHMARKS

SCALE: NTS SHEET 2 OF 2 SHEETS STA. TO STA.

F.A.S. RTE.	SECTION	COUNTY	TOTAL SHEETS	SHEET NO.
1323	102 BR	KANKAKEE	53	11
CONTRACT NO. 66B66			ILLINOIS FED. AID PROJECT	