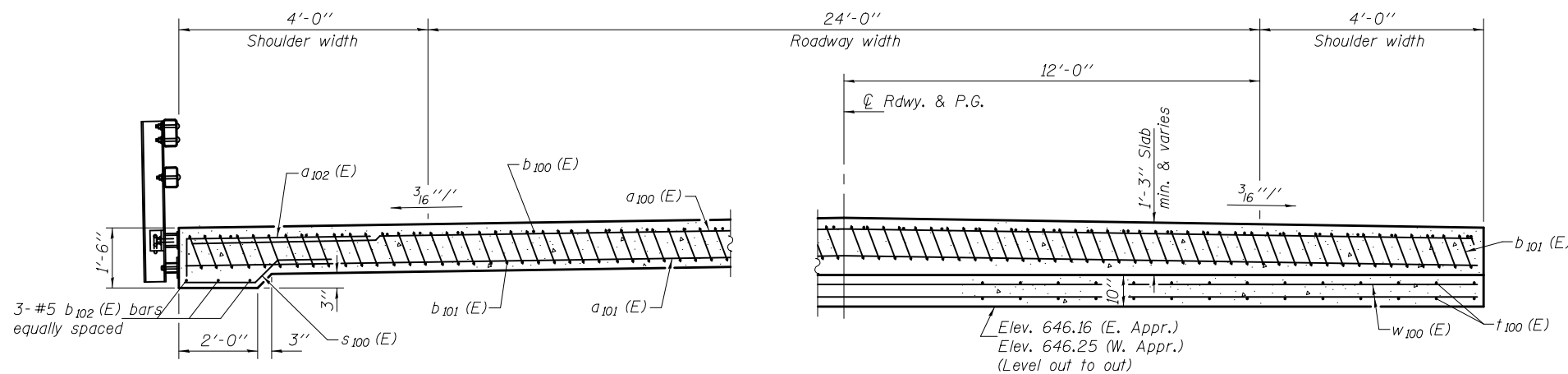


Notes:
 See sheet 5 of 22 for Detail A.
 Approach slab shall be paid for as Concrete Superstructure.
 Approach footing concrete shall be paid for as Concrete Structures.
 Reinforcement shall be paid for as Reinforcement Bars, Epoxy Coated.
 The approach footing maximum applied service bearing pressure (Qmax) = 2.0 ksf.
 Cost of excavation for approach footing included with Concrete Structures.
 For granular backfill for structures and drainage treatment details, see sheet 2 of 22.

*Tilt #9 b₁₀₁ (E) bars as required to maintain clearance.
 ***Cost included with Concrete Superstructure.
 ****Epoxy grout v(E) bars, see sheet 4 of 22.

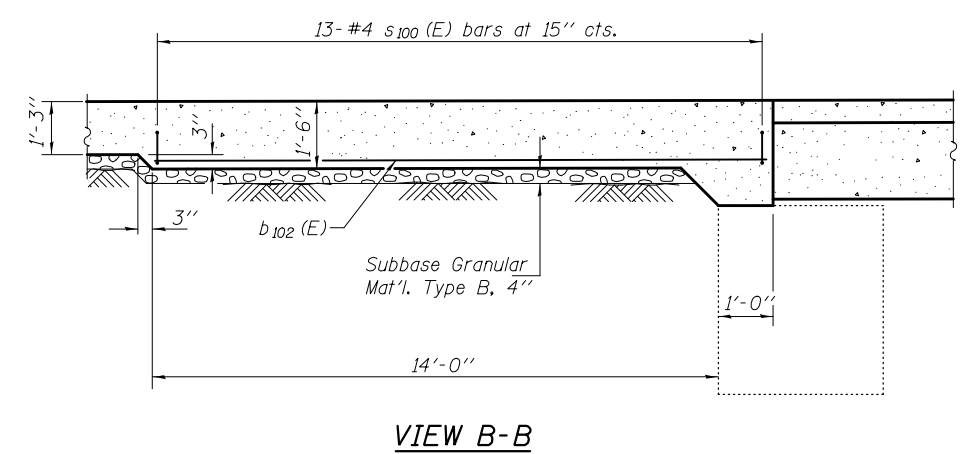
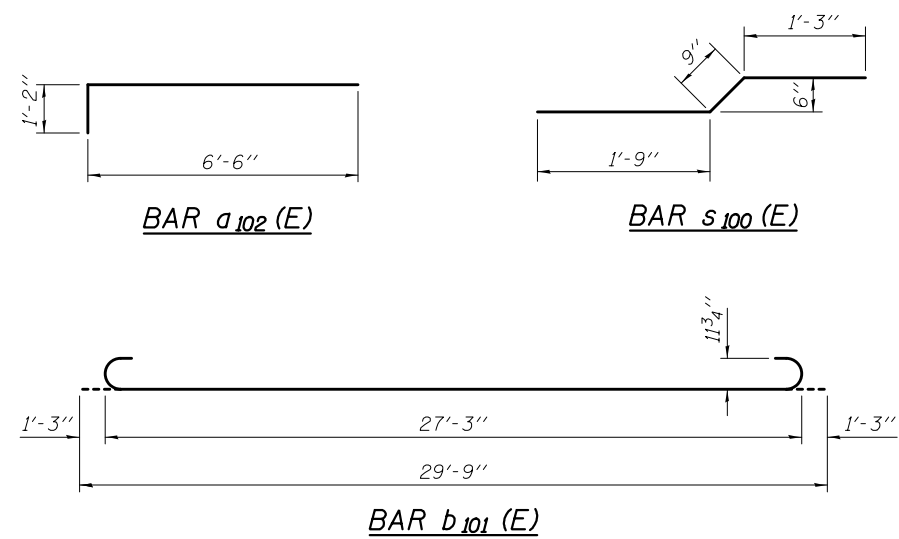


NEAR ABUTMENT
 SECTION D-D
 (See Plan for dimensions not shown)

AT APPROACH FOOTING

**TWO APPROACHES
 BILL OF MATERIAL**

Bar	No.	Size	Length	Shape
a ₁₀₀ (E)	50	#4	31'-8"	—
a ₁₀₁ (E)	92	#5	31'-8"	—
a ₁₀₂ (E)	48	#6	7'-8"	┌
b ₁₀₀ (E)	52	#4	29'-8"	—
b ₁₀₁ (E)	154	#9	29'-9"	┌
b ₁₀₂ (E)	12	#5	14'-8"	—
s ₁₀₀ (E)	52	#4	3'-9"	┌
t ₁₀₀ (E)	132	#4	9'-8"	—
w ₁₀₀ (E)	80	#5	31'-8"	—
Concrete Superstructure		Cu. Yd.	95	
Concrete Structures		Cu. Yd.	19.8	
Reinforcement Bars, Epoxy Coated		Pound	25070	



VIEW B-B

DESIGNED - Eass Teklehalmant
 CHECKED - Raq. Ahanchi
 DRAWN - b.t. duong
 CHECKED - ETZGRA

EXAMINED - *Joanne F. [Signature]*
 ACTING ENGINEER OF BRIDGE DESIGN

PASSED - *Carl [Signature]*
 ACTING ENGINEER OF BRIDGES AND STRUCTURES

DATE - OCTOBER 1, 2013

REVISED -
 REVISED -

STATE OF ILLINOIS
 DEPARTMENT OF TRANSPORTATION

BRIDGE APPROACH SLAB DETAILS
 STRUCTURE NO. 046-0109

SHEET NO. 6 OF 22 SHEETS

F.A.S. RTE.	SECTION	COUNTY	TOTAL SHEETS	SHEET NO.
1323	102-BR	KANKAKEE	53	22
			CONTRACT NO. 66B66	
ILLINOIS FED. AID PROJECT				