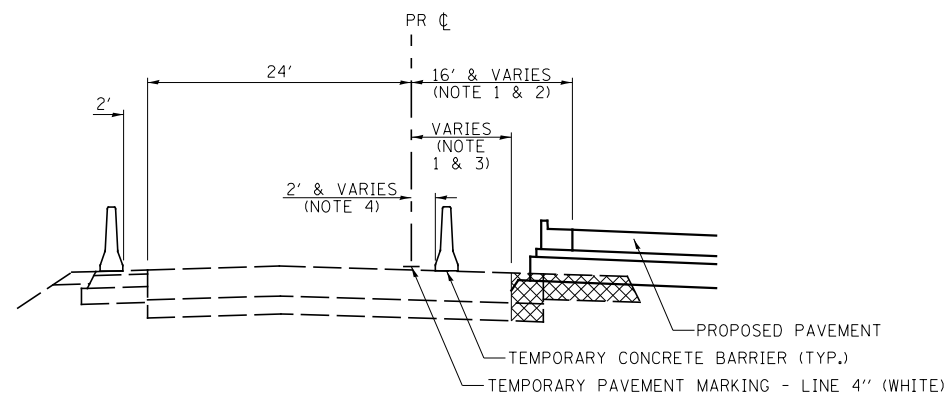


**STAGE 2 TYPICAL SECTION**

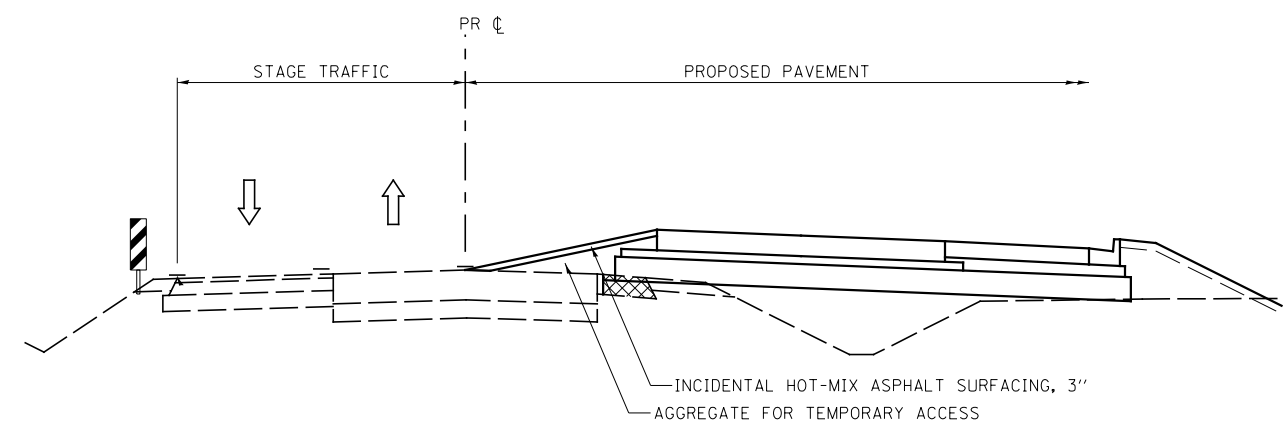
**IL. RTE. 47**

STA. 6104+00 TO STA. 6112+56.34



**DETAIL A**

STA. 6029+00 TO STA. 6039+85 (RT)  
 STA. 6071+44 TO STA. 6072+46 (LT & RT)  
 STA. 6097+75 TO STA. 6098+75 (RT)



**DETAIL B - TEMPORARY ACCESS RAMP**

(SEE SCHEDULE FOR LOCATIONS)

FILE NAME =	USER NAME = bdecreene	DESIGNED - LDZ	REVISED -
V:\3195\66883 (South Section)\CADD Sheets\0366883-sh2-staging2typical-2.dgn		DRAWN - SRH/RMD	REVISED -
	PLOT SCALE = 16.000' / in.	CHECKED - DJD	REVISED -
	PLOT DATE = 8/6/2013	DATE - 7/15/2013	REVISED -

**STATE OF ILLINOIS  
 DEPARTMENT OF TRANSPORTATION**

<b>IL. RTE. 47 STAGE 2 TYPICAL SECTION</b>			
SCALE: N/A	SHEET NO. 2 OF 2 SHEETS	STA. N/A	TO STA. N/A

F.A.P. RTE.	SECTION	COUNTY	TOTAL SHEETS	SHEET NO.
326	(110)R, BR & BR-1	GRUNDY	644	152
CONTRACT NO. 66B83				
ILLINOIS FED. AID PROJECT				