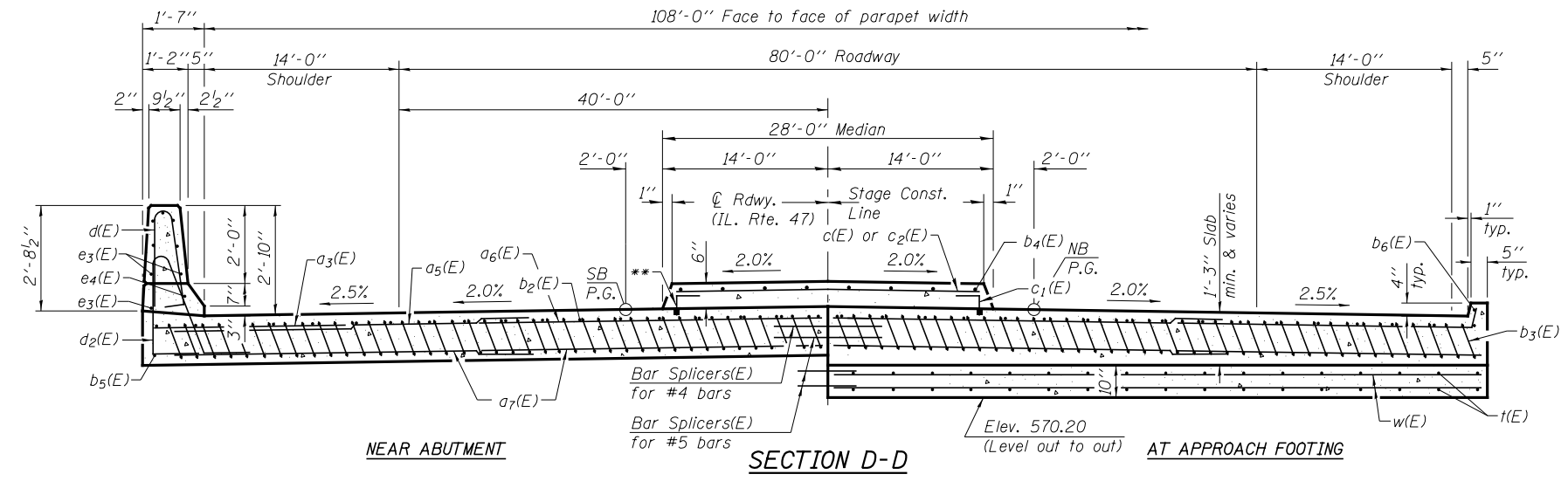
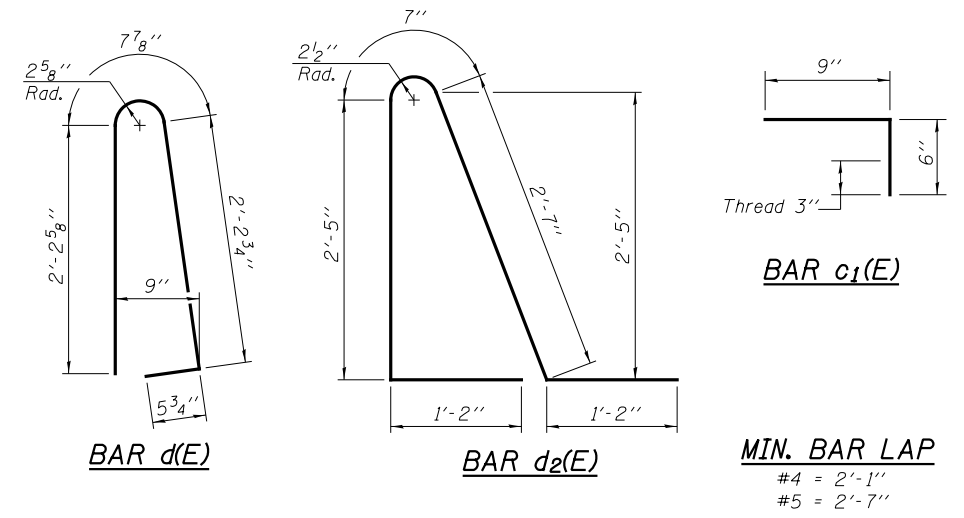


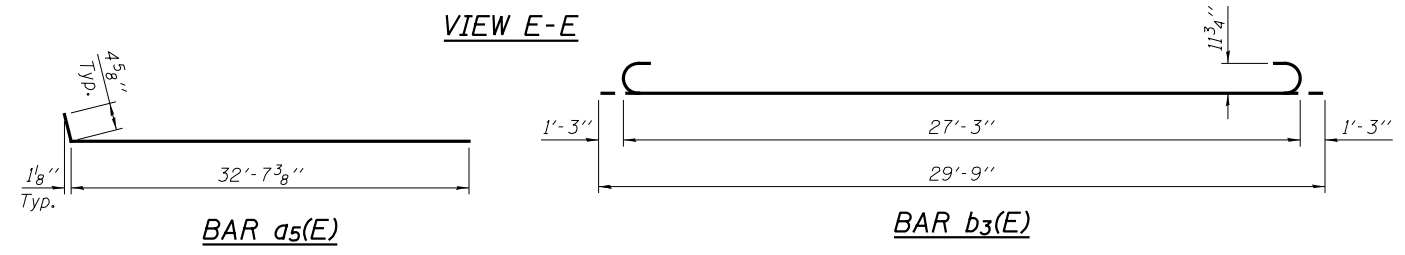
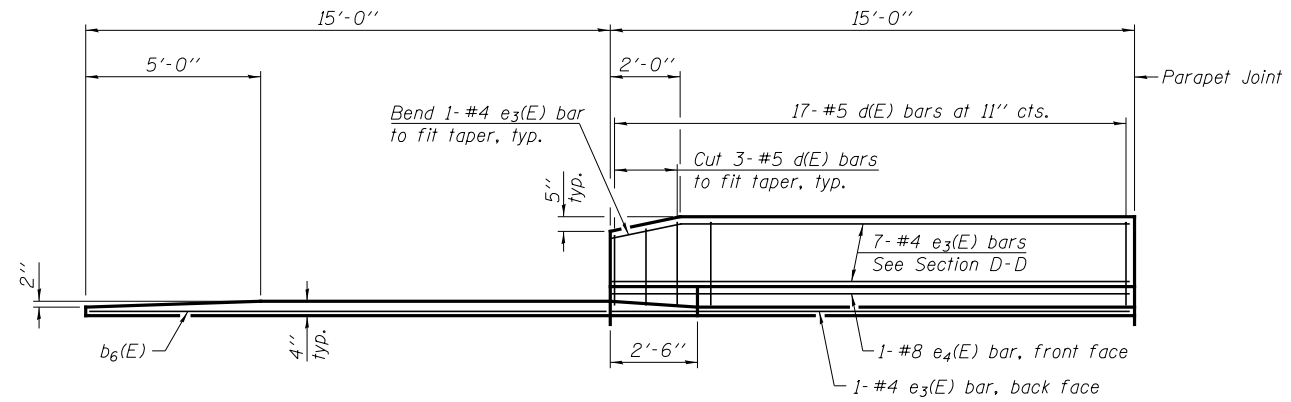
Notes:  
 See Sheet 14 of 32 for Details A & B and View B-B.  
 Approach slab, parapet, and median concrete shall be paid for as Concrete Superstructure.  
 Approach footing concrete shall be paid for as Concrete Structures.  
 Reinforcement shall be paid for as Reinforcement Bars, Epoxy Coated.  
 See Sheet 12 of 32 for v(E) bar details.  
 The approach footing maximum applied service bearing pressure (Qmax) = 2.0 ksf.  
 See Sheet 26 of 32 for bar splicer details.  
 Cost of excavation for approach footing included with Concrete Structures.  
 See Sheet 2 of 32 for Granular Backfill and drainage treatment details.  
 See Sheet 12 of 32 for additional parapet details.  
 Median is to be poured after Stage II Construction has been completed.



\* Tilt #9 b3(E) bars as required to maintain clearance.  
 \*\* 3/4" φ Galvanized expansion anchor or Ferrule Loop Slab Insert (Proof Load 6600 lbs). Cost is included in the cost of Reinforcement Bars, Epoxy Coated.  
 \*\*\* Cost included with Concrete Superstructure.

**SOUTH APPROACH  
 BILL OF MATERIAL**

Bar	No.	Size	Length	Shape
a3(E)	24	#6	6'-6"	—
a5(E)	50	#4	33'-0"	—
a6(E)	50	#4	32'-7"	—
a7(E)	184	#5	32'-8"	—
b2(E)	90	#4	29'-8"	—
b3(E)	264	#9	29'-9"	—
b4(E)	29	#5	29'-8"	—
b5(E)	2	#4	14'-8"	—
b6(E)	2	#4	14'-4"	—
c(E)	31	#5	27'-8"	—
c1(E)	62	#5	1'-3"	—
c2(E)	2	#5	31'-10"	—
d(E)	34	#5	5'-7"	—
d2(E)	34	#5	7'-11"	—
e3(E)	16	#4	14'-8"	—
e4(E)	2	#8	14'-8"	—
t(E)	224	#4	11'-2"	—
w(E)	160	#5	32'-10"	—
Concrete Superstructure	CU YD		210.6	
Concrete Structures	CU YD		39.1	
Reinforcement Bars, Epoxy Coated	POUND		47,020	



(Sheet 2 of 2)