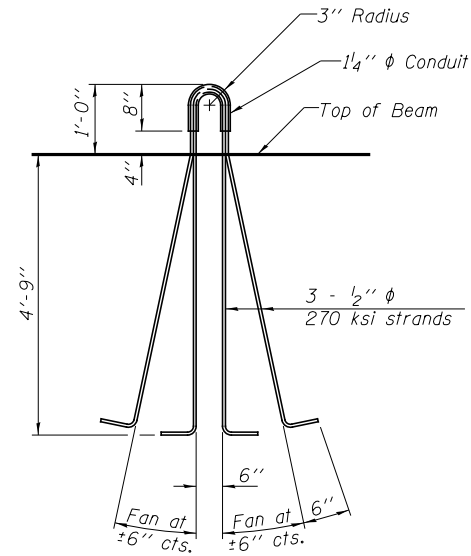
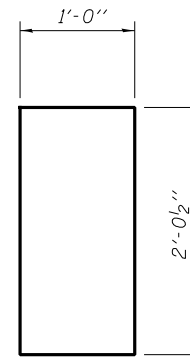


NOTES

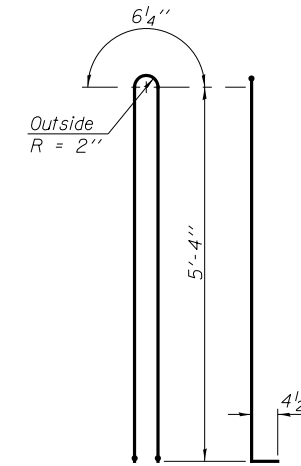
Inserts for $\frac{3}{4}$ " ϕ threaded dowel rods, when specified, are to be two strut, ferrule type for interior beams and single ferrule, flared loop type for exterior beams.
 Prestressing steel shall be uncoated high strength, low relaxation 7-wire strand, Grade 270. The nominal diameter shall be $\frac{1}{2}$ " and the nominal cross-sectional area shall be 0.153 sq. in.
 A minimum $2\frac{1}{2}$ " ϕ lifting pin shall be used to engage the lifting loops during handling.
 The top and bottom plates shall be AASHTO M270 Grade 50.
 The bottom plates and studs shall be galvanized according to AASHTO M111. Top plates and threaded rods need not be galvanized.
 Threaded rods shall be ASTM F 1554 Grade 55.



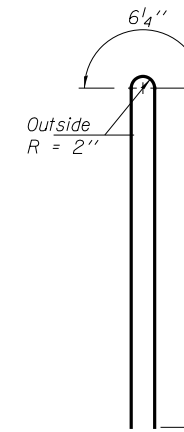
LIFTING LOOP DETAIL



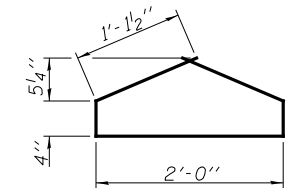
1" FABRIC BEARING PAD



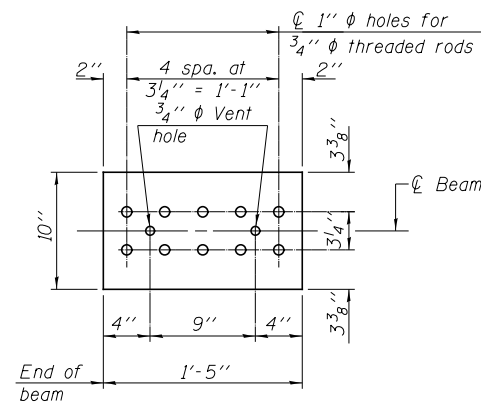
BAR G1



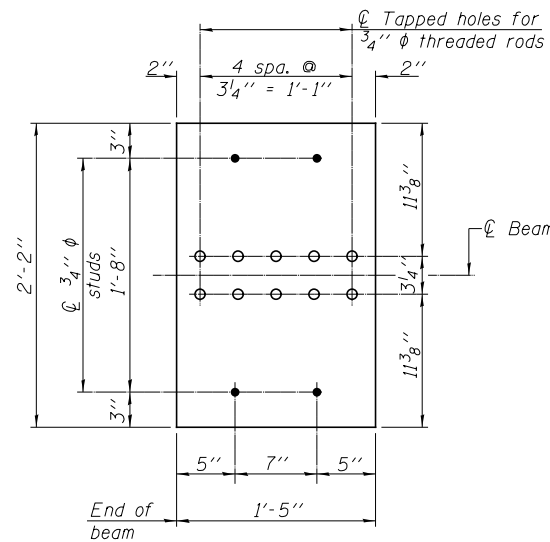
BAR G2



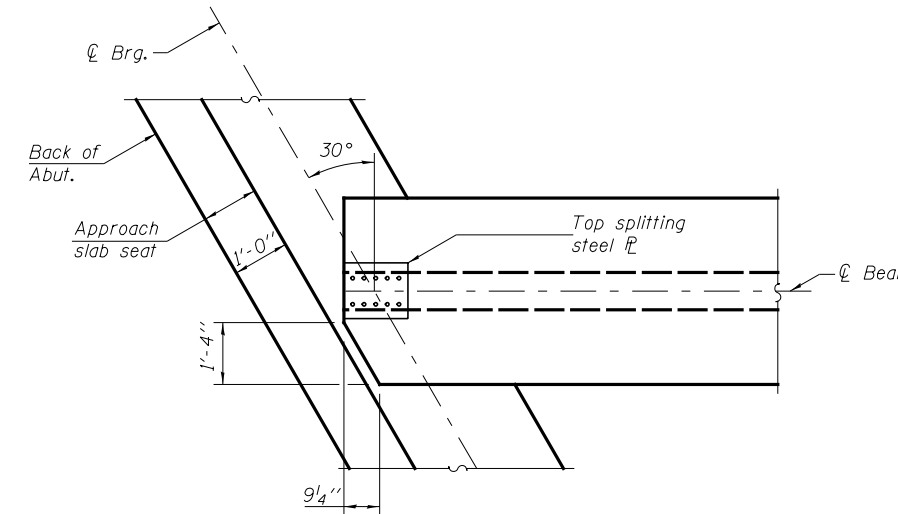
BAR G4



TOP PLATE



BOTTOM PLATE



TOP FLANGE PLAN - CLIPPED

(Showing top flange of Bulb T-Beam at integral abutment.)

BILL OF MATERIAL

Item	Unit	Total
Furnishing and Erecting Precast Prestressed Concrete Bulb T-Beams, 63"	Ft.	1,399

USER NAME = bdecræne
 DESIGNED - STM
 CHECKED - BAN
 DRAWN - TAC/STM
 CHECKED - BAN
 PLOT SCALE = NONE
 PLOT DATE = 8/6/2013

83-020-PPC BULB T DETAILS.dgn
 JACKSONVILLE-SHOREWOOD-PEORIA

Hutchison Engineering, Inc.
 JACKSONVILLE-SHOREWOOD-PEORIA

STATE OF ILLINOIS
DEPARTMENT OF TRANSPORTATION

63" PPC BULB T-BEAM DETAILS
STRUCTURE NO. 032-0122

SHEET NO. 20 OF 32 SHEETS

F.A.P. RTE.	SECTION	COUNTY	TOTAL SHEETS	SHEET NO.
326	110BR	GRUNDY	644	346
CONTRACT NO. 66B83				
ILLINOIS FED. AID PROJECT				