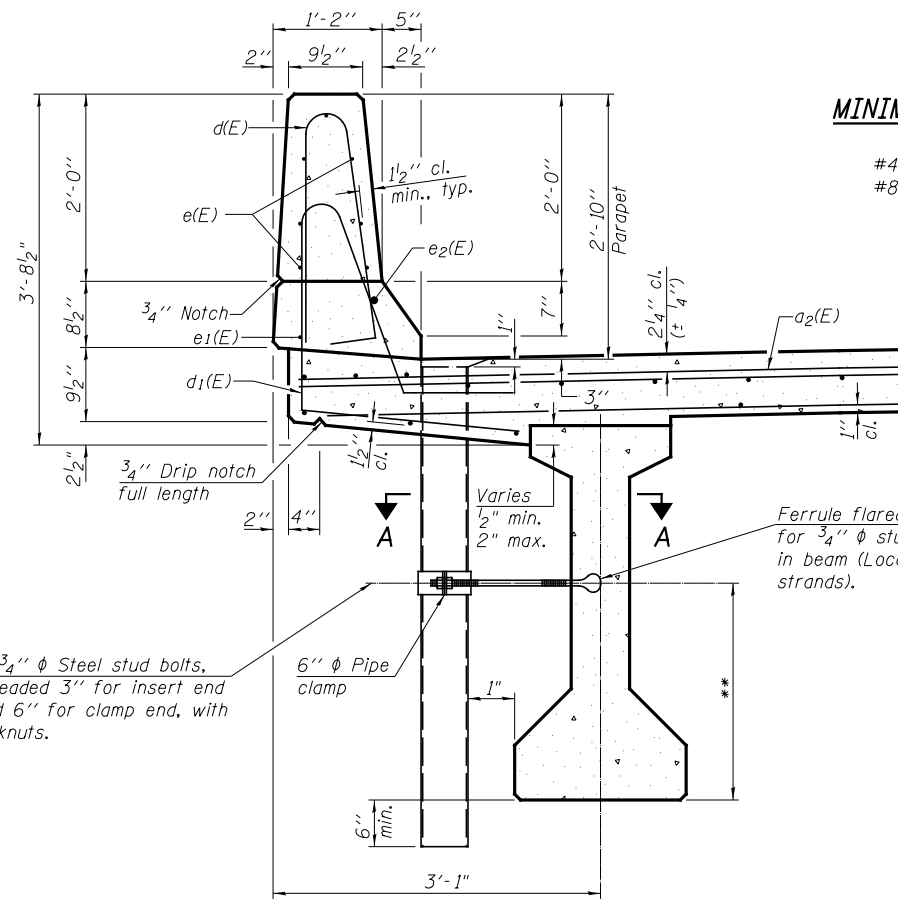


**SUPERSTRUCTURE
BILL OF MATERIAL**

Bar	No.	Size	Length	Shape
a(E)	636	#5	28'-8"	—
a ₁ (E)	222	#5	33'-0"	—
a ₂ (E)	318	#6	6'-6"	—
a ₃ (E)	222	#5	24'-10"	—
a ₄ (E)	16	#5	35'-0"	—
b(E)	429	#5	32'-9"	—
b ₁ (E)	328	#5	25'-2"	—
c(E)	95	#5	27'-7"	—
c ₁ (E)	188	#5	1'-3"	┌
c ₂ (E)	2	#5	33'-8"	—
d(E)	204	#5	5'-7"	┌
d ₁ (E)	204	#5	7'-6"	┌
e(E)	70	#4	18'-4"	—
e ₁ (E)	6	#4	32'-5"	—
e ₂ (E)	6	#8	34'-6"	—
m(E)	72	#6	24'-11"	—
m ₁ (E)	112	#6	7'-8"	—
m ₂ (E)	16	#6	3'-2"	—
m ₃ (E)	28	#6	6'-0"	—
m ₄ (E)	4	#6	2'-5"	—
m ₅ (E)	64	#5	4'-0"	—
m ₆ (E)	16	#6	3'-8"	—
m ₇ (E)	4	#6	2'-10"	—
s(E)	192	#5	9'-4"	┌
s ₁ (E)	192	#5	14'-0"	┌
v(E)	224	#5	3'-1"	┌
Concrete Superstructure			CU YD	486.1
Reinforcement Bars, Epoxy Coated			POUND	76,840

INSIDE ELEVATION OF PARAPET



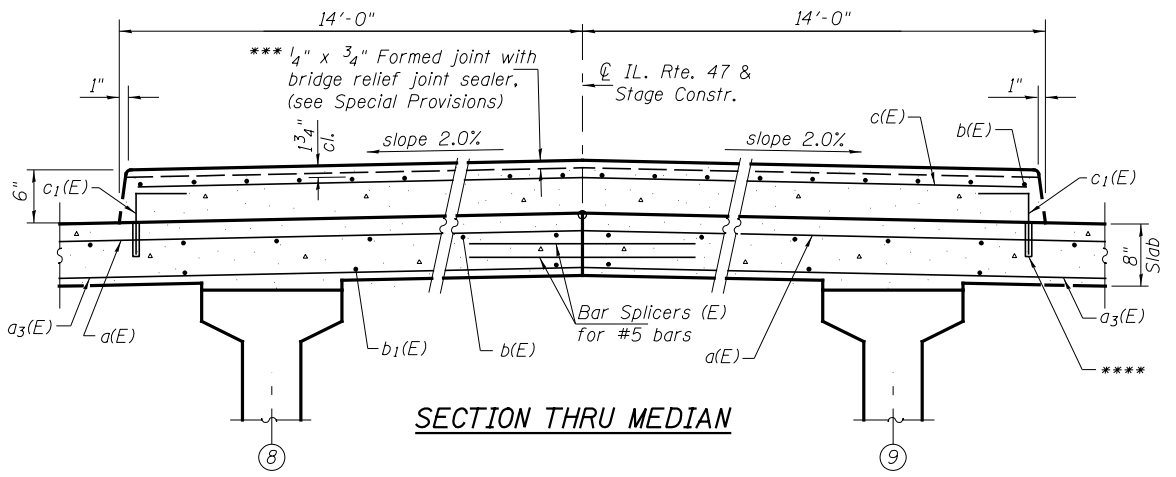
MINIMUM BAR LAP
(Parapet)
#4 bar = 2'-0"
#8 bar = 5'-2"

Non-staining gray one component non-sag elastomeric gun grade polyurethane sealant meeting the requirements of ASTM C-920, Type S, Grade NS, Class 25. Use T with a 5/8" backer rod.

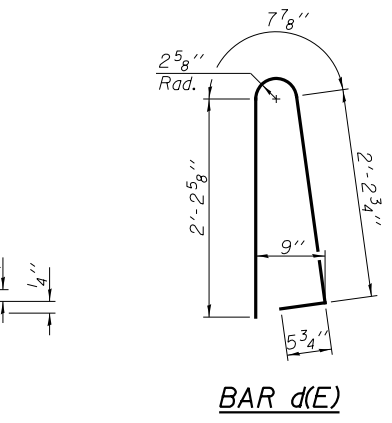
1/2" Preformed Self-Expanding Cork Joint Filler according to Article 1051.07 of the Std. Spec. Cost included with Concrete Superstructure.

Const. Jts. at Abutments 1/8" Aluminum sheet ASTM B 209 alloy 3003-H14 coated to minimize reaction with wet concrete. Cost included with Concrete Superstructure

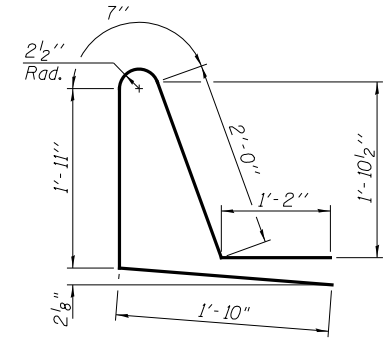
PARAPET JOINT DETAILS



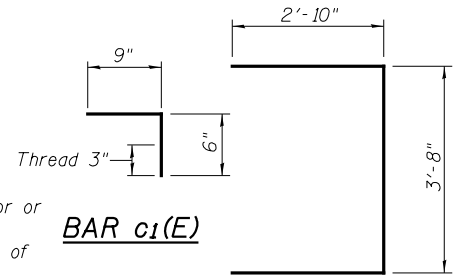
SECTION THRU MEDIAN



BAR d(E)



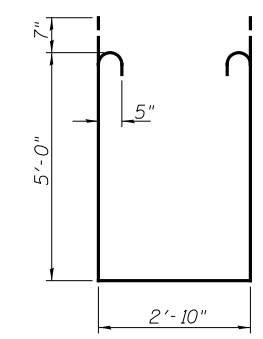
BAR d₁(E)



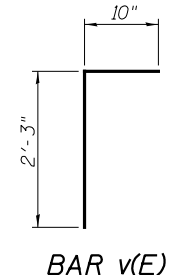
BAR c₁(E)

BAR s(E)

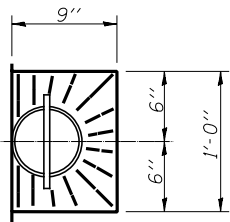
**** 3/4" Galvanized expansion anchor or Ferrule Loop Slab Insert (Proof Load 6600 lbs). Cost is included in the cost of Reinforcement Bars, Epoxy Coated.



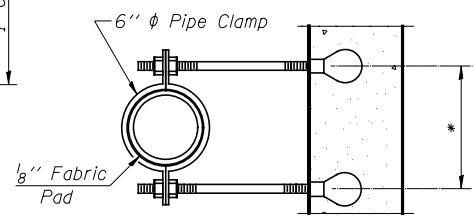
BAR s₁(E)



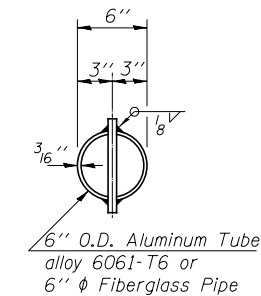
BAR v(E)



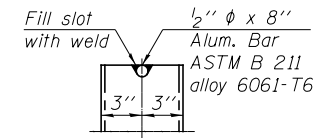
TOP PLAN



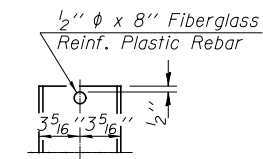
SECTION A-A
*Dimension as required by Pipe Clamp



TOP PLAN
(Showing Aluminum Tube)



ALUMINUM TUBE



FIBERGLASS PIPE

Notes:
Fiberglass pipe shall conform to ASTM D2996, with short-time rupture strength hoop tensile stress of 30,000 p.s.i. minimum.
The exterior surfaces of the floor drains shall be coated or pigmented by the manufacturer with a color that matches the concrete.
The clamping device and inserts shall be galvanized according to AASHTO M 232. Cost of clamping device and galvanizing included with Floor Drains.