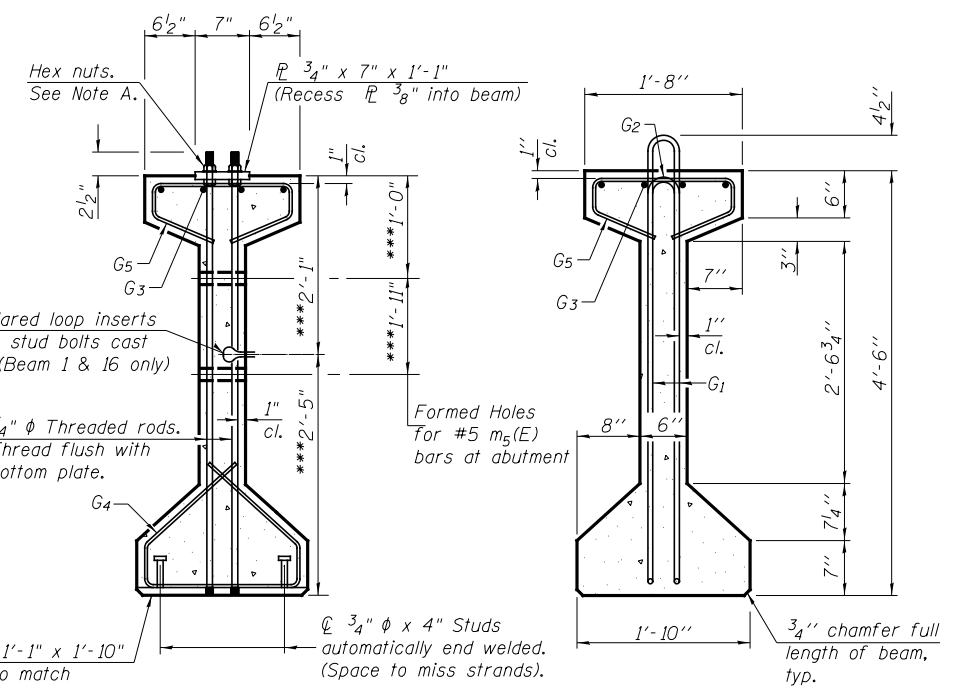


ELEVATION OF BEAM
(Showing reinforcement & dimensions)

Note A:
Hex nuts (top and bottom) with lock washers (top). Only tighten sufficiently to compress lock washers.



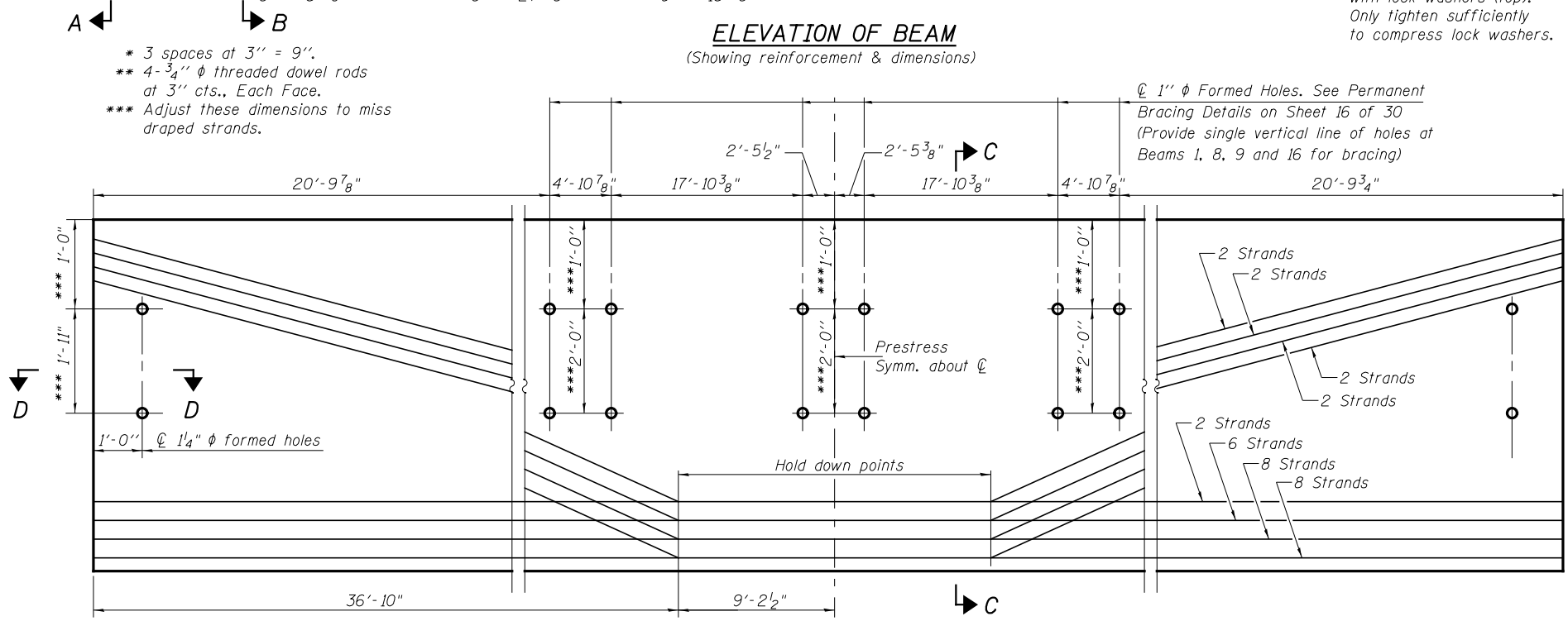
SECTION A-A

SECTION B-B

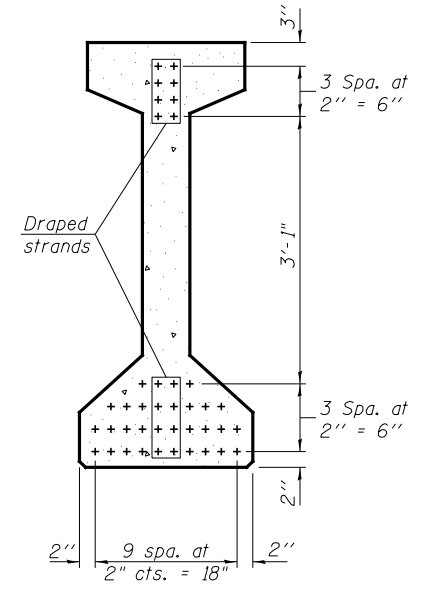
******BAR LIST
ONE BEAM ONLY**

Bar	No.	Size	Length	Shape
G ₁	161	#4	10'-5"	U
G ₂	14	#4	8'-8"	U
G ₃	12	#7	33'-0"	U
G ₄	38	#3	4'-11"	U
G ₅	92	#3	3'-5"	U

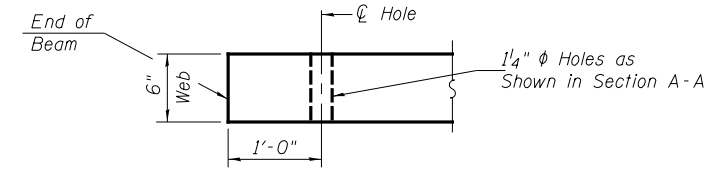
****For information only
Notes:
See sheet 18 of 30 for additional details and Bill of Material.
Required release strength, f'ci, shall be 6,000 psi.



ELEVATION OF BEAM
(Showing prestressing steel)



SECTION C-C



SECTION D-D