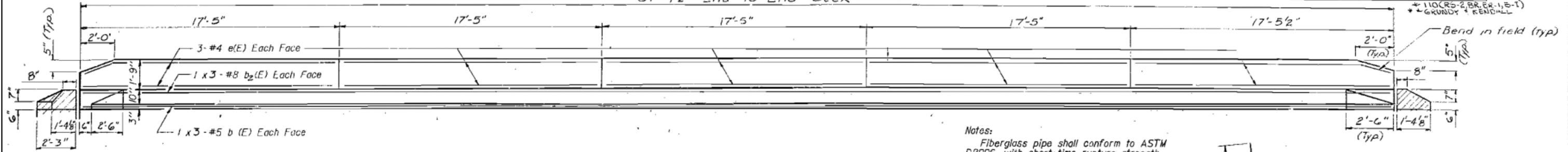


STATE OF ILLINOIS
DEPARTMENT OF TRANSPORTATION
87'-1/2" End to End Deck

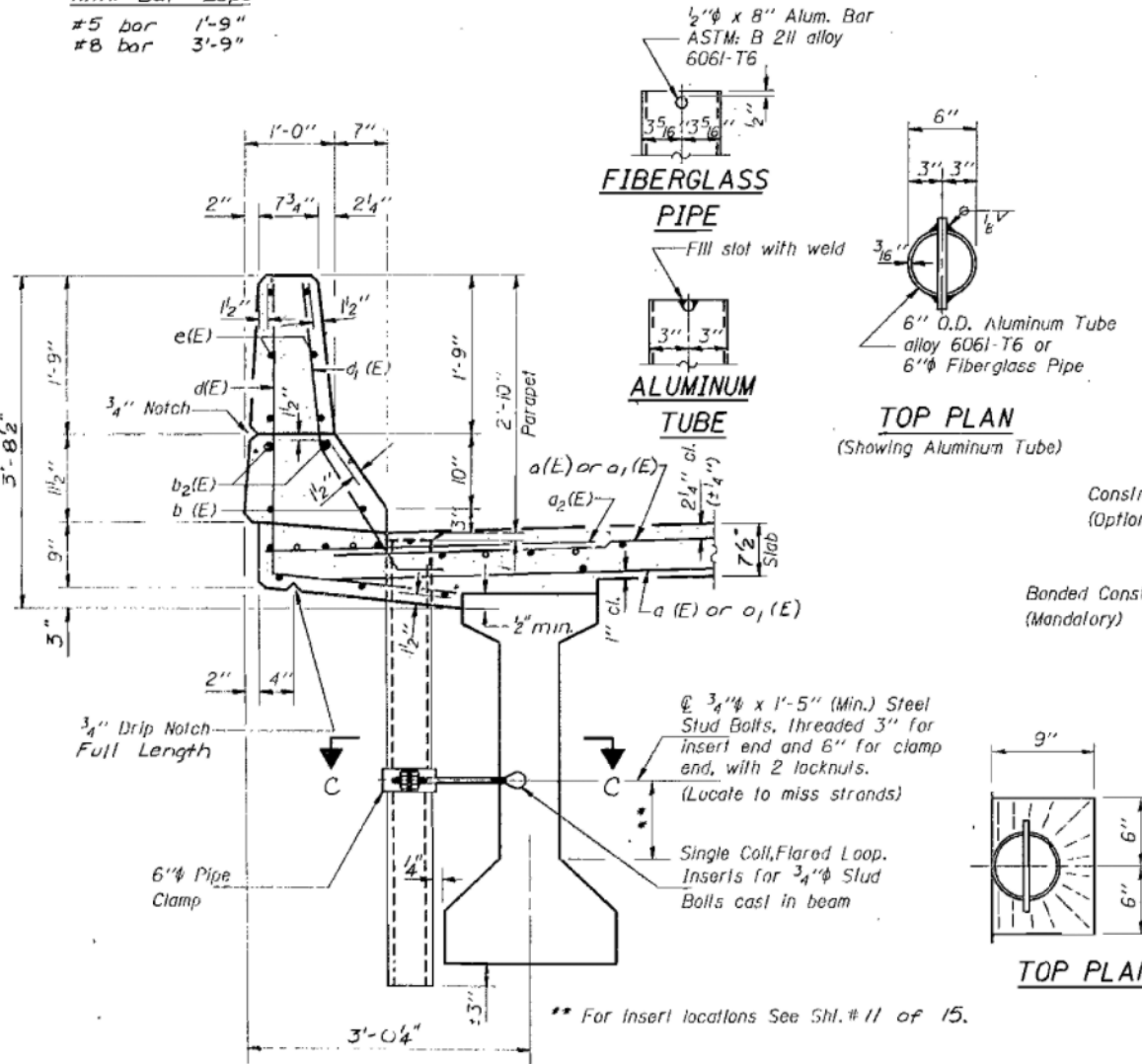
ROUTE NO.	SECTION	EMPH.	SHTS.	"POST"	SHEET NO. 8
F.A. 100	+	44	106	58	15 SHEETS
FED. ROAD DIST. NO. 7	NAME	FED. ROAD PROJECT			



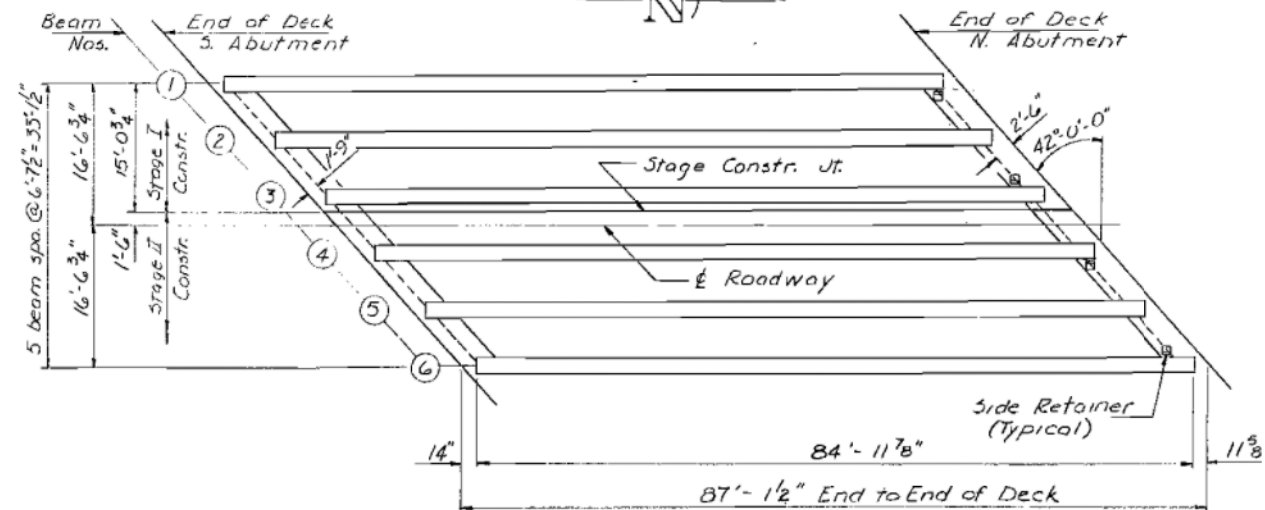
Min. Bar Laps
#5 bar 1'-9"
#8 bar 3'-9"

INSIDE ELEVATION OF PARAPET
(Looking East)

Notes:
Fiberglass pipe shall conform to ASTM D2996, with short-time rupture strength, hoop tensile stress of 30,000 p.s.i. minimum. The surface of the Fiberglass pipe shall be free of bond inhibiting agents.
The exterior surfaces of the Fiberglass Floor Drains shall be painted with one coat of Aluminum paint. Painting of the Fiberglass Floor Drains will not be required when the exterior surfaces of the furnished drains are coated by the manufacturer with silver pigment or a pigment that matches the color of the concrete beam.
The clamping device and Inserts shall be galvanized in accordance with AASHTO M-232.



PARAPET JOINT DETAILS



SUPERSTRUCTURE
BILL OF MATERIAL

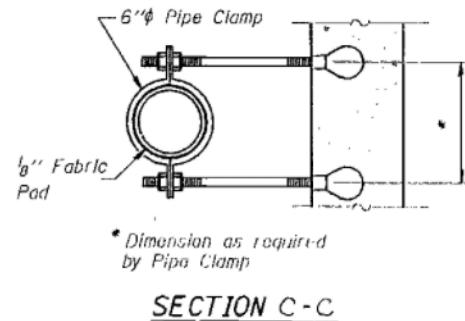
Bar	No.	Size	Length	Shape
a(E)	243	#5	17'-1"	
a1(E)	243	#5	20'-1"	
a2(E)	140	#6	4'-0"	
a3(E)	10	#7	23'-6"	
a4(E)	10	#7	27'-7"	
a5(E)	16	#6	8'-0"	
a6(E)	4	#6	1'-7"	
a7(E)	4	#6	5'-9"	
a8(E)	1	#6	20'-3"	
a9(E)	1	#6	24'-3"	
b(E)	138	#5	30'-5"	
b1(E)	144	#5	23'-4"	
b2(E)	12	#8	31'-9"	
d(E)	174	#4	5'-2"	L
d1(E)	178	#5	3'-11"	L
d2(E)	12	#5	3'-9"	L
e(E)	60	#4	17'-2"	
m(E)	2	#4	20'-3"	
m1(E)	2	#4	24'-3"	
m2(E)	1	#6	20'-3"	
m3(E)	1	#6	24'-3"	
m4(E)	8	#4	8'-0"	
m5(E)	4	#6	6'-1"	
m6(E)	1	#6	5'-1"	
m7(E)	2	#4	1'-11"	
m8(E)	2	#4	6'-0"	
s2(E)	20	#4	11'-1"	LF
x(E)	50	#6	6'-0"	L
x1(E)	56	#6	7'-8"	L
Reinforcement Bars (Epoxy Coated)		Lbs.	24,040	
Class X Concrete Superstructure		Cu. Yds.	133.7	

Reinforcement bars designated (E) shall be epoxy coated.

SUPERSTRUCTURE DETAILS
F.A. ROUTE 100 SECTION 110BR
GRUNDY COUNTY
STATION 136+58.25

FOR INFORMATION ONLY

DESIGNED VICTOR VELIZ
CHECKED Eric Lowrey
DRAWN RITA WILLIAMS
CHECKED V.V. EEG pmp
EXAMINED [Signature]
PASSED [Signature]
APPROVED [Signature]



FILE NAME =	USER NAME = bdecaene	DESIGNED -	REVISED -
V:\3195\66883 (South Section)\CADD Sheets\0366883-sht-exstruct-7.dgn		DRAWN -	REVISED -
PLOT SCALE = 2.0000' / in.		CHECKED -	REVISED -
SHT.PLAN	PLOT DATE = 8/6/2013	DATE = 7/15/2013	REVISED -

STATE OF ILLINOIS
DEPARTMENT OF TRANSPORTATION

IL. RTE. 47
EXISTING BRIDGE PLANS
SCALE: N/A SHEET 7 OF 23 SHEETS STA. N/A TO STA. N/A

F.A.P. RTE.	SECTION	COUNTY	TOTAL SHEETS	SHEET NO.
326	(110)R, BR & BR-1	GRUNDY	644	405
CONTRACT NO. 66883			ILLINOIS FED. AID PROJECT	