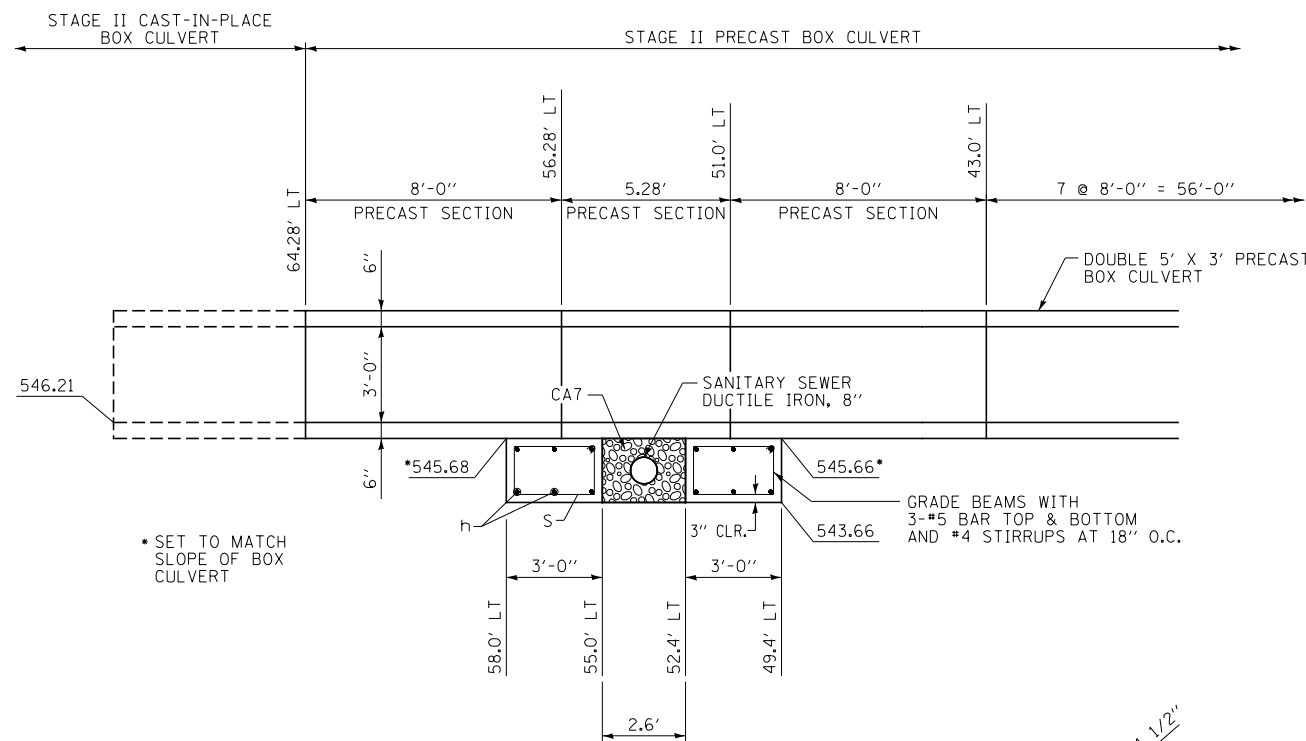
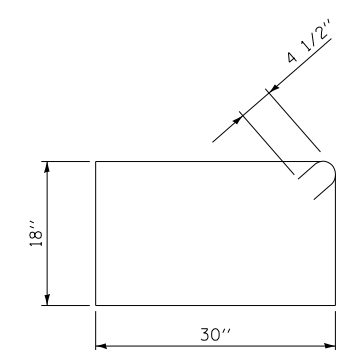


**PLAN AT BOX CULVERT CROSSING OF
SANITARY SEWER STA 6039+06.52**



SECTION A-A



BAR S

BILL OF MATERIAL

Bar	No.	Size	Length	Shape
h	12	#5	16'-0"	—
s	20	#4	8'-9"	□
Class SI Concrete (Miscellaneous)			Cu. Yd.	6.3
Reinforcement Bars			Pound	320

WORK THIS SHEET WITH PLANS FOR PRECAST BOX CULVERT AT STA 6039+06.52

DESIGN STRESSES
f'c = 3500 psi
fy = 60,000 psi (REINFORCEMENT)

CLASS SI CONCRETE (MISCELLANEOUS) SHALL BE IN ACCORDANCE WITH APPLICABLE PORTIONS OF SECTION 503 AND ARTICLE 1020.04 AND WILL BE PAID FOR AT THE CONTRACT UNIT PRICE PER CUBIC YARD AS CLASS SI CONCRETE (MISCELLANEOUS)