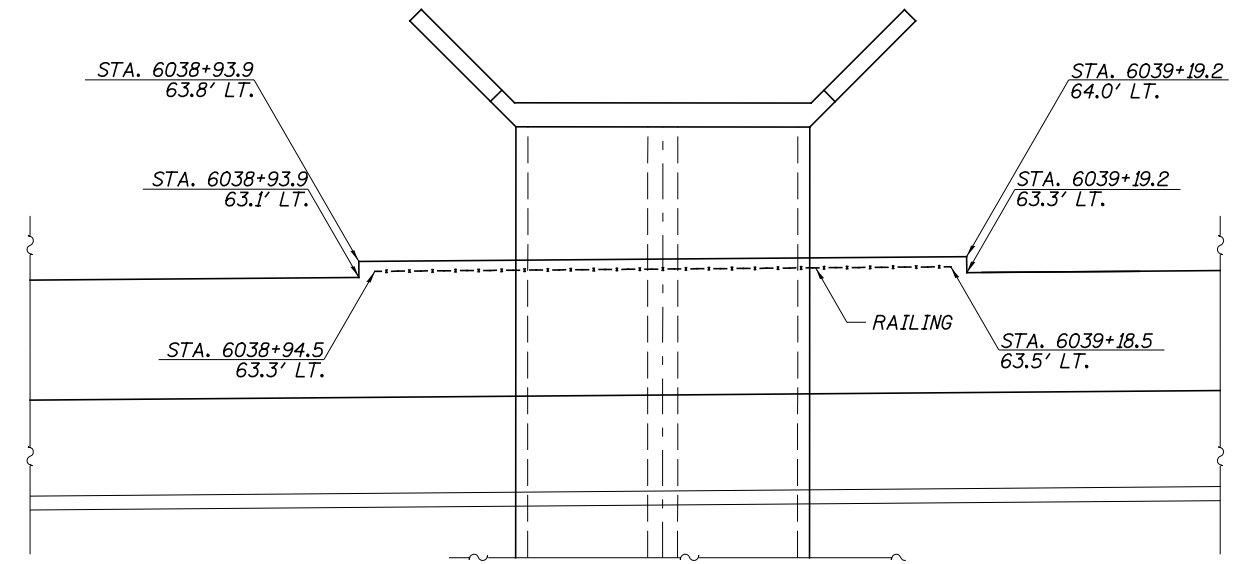
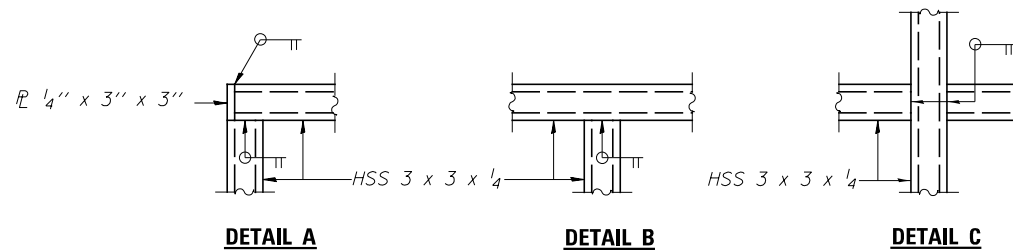


PEDESTRIAN RAILING



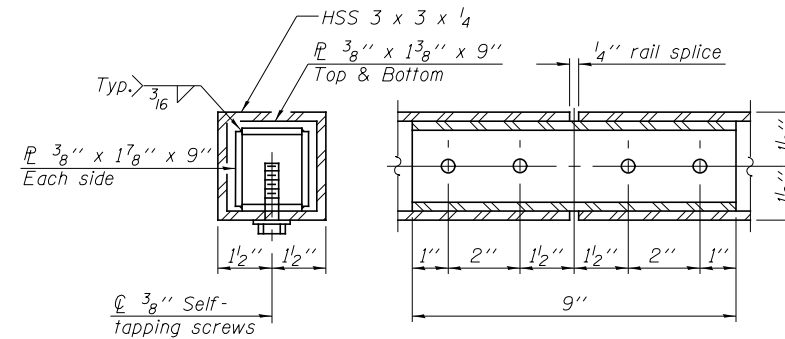
SIDEWALK PLAN



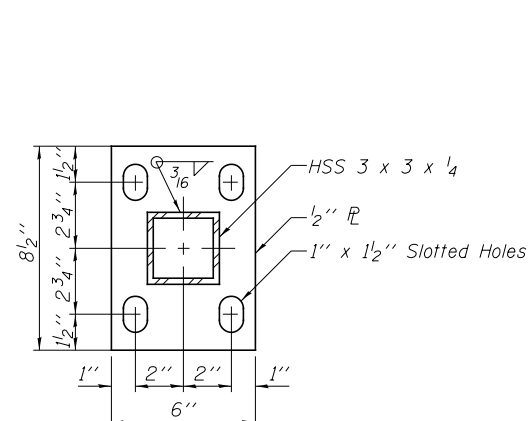
DETAIL A

DETAIL B

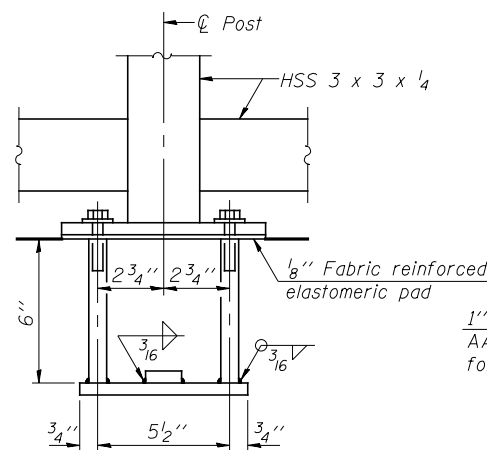
DETAIL C



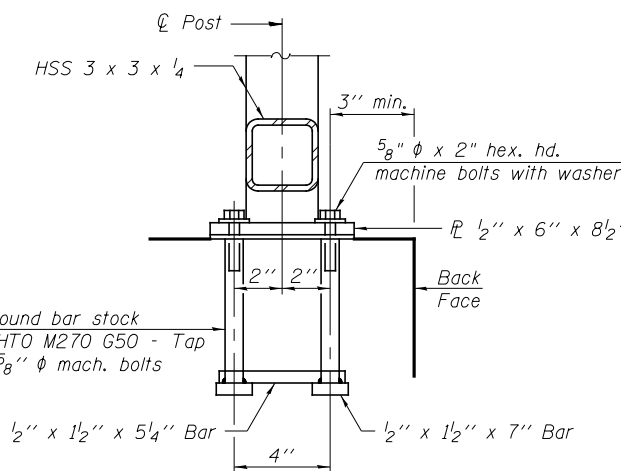
RAIL SPLICE



BASE PLATE



ANCHOR BOLT DETAILS



In lieu of the cast-in-place anchor device shown, the Contractor has the option of drilling and setting 5/8" ϕ anchor rods according to Article 509.06 of the Standard Specifications. Embedment shall be according to the manufacturer's specifications.

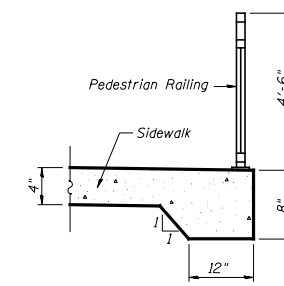
PEDESTRIAN RAILING DETAILS

NOTES

Railing shall be according to Section 509 of the Standard Specifications, except as noted, and will be paid for at the Contract Unit Price per foot for Pedestrian Railing.
 Hollow structural steel tubing shall conform to the requirements of ASTM designation A 500, Grade B, structural steel tubing.
 All other steel shapes and plates shall conform to the requirements of AASHTO M 270M Grade 250.
 All sidewalk will be paid for as P.C.C. sidewalk, 4" including the outside 12" wide by 8" thick section that accommodates the pedestrian railing.
 All steel rail elements shall be galvanized according to Article 509.05 of the Standard Specifications.

BILL OF MATERIAL

Item	Unit	Quantity
Pedestrian Railing	FOOT	24



SECTION THRU SIDEWALK

FILE NAME =	USER NAME = bdecreane	DESIGNED - LDZ	REVISED -
V:\3195\66883 (South Section)\CADD Sheets\0366883-sht-details-17.dgn		DRAWN - SGM	REVISED -
		CHECKED - DJD	REVISED -
		DATE - 7/15/2013	REVISED -

**STATE OF ILLINOIS
DEPARTMENT OF TRANSPORTATION**

**IL. RTE. 47
DETAILS**

SCALE: N/A SHEET NO. 17 OF 31 SHEETS STA. N/A TO STA. N/A

F.A.P. RTE.	SECTION	COUNTY	TOTAL SHEETS	SHEET NO.
326	(110)R, BR & BR-1	GRUNDY	644	467
CONTRACT NO. 66883				
FED. ROAD DIST. NO. ILLINOIS FED. AID PROJECT				