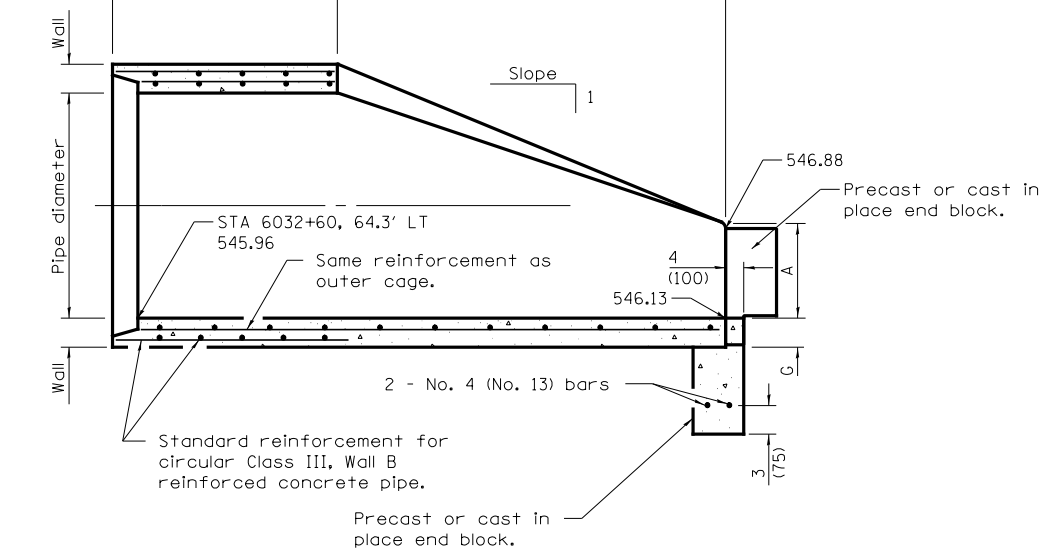
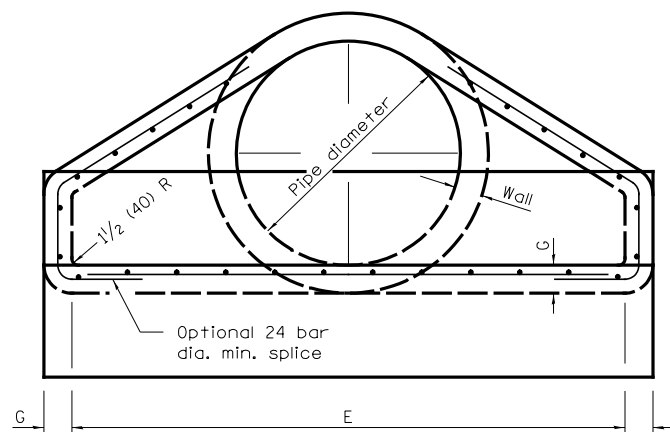


PLAN



SECTION A-A



END VIEW

PIPE DIA.	APPROX. QTY. lbs. (kg)	WALL	A	B	C	D	E	G	R	APPROX. SLOPE
12 (300)	530 (240)	2 (51)	4 (102)	24 (610)	4'-0 7/8" (1.241 m)	6'-0 7/8" (1.851 m)	24 (610)	2 (51)	9 (229)	1:2.4
15 (375)	740 (335)	2 1/4 (57)	6 (152)	27 (686)	3'-10" (1.168 m)	6'-1" (1.854 m)	30 (762)	2 1/4 (57)	11 (280)	1:2.4
18 (450)	990 (450)	2 1/2 (64)	9 (229)	27 (686)	3'-10" (1.168 m)	6'-1" (1.854 m)	36 (914)	2 1/2 (64)	12 (305)	1:2.4
21 (525)	1280 (580)	2 3/4 (70)	9 (229)	35 (889)	3'-7 1/2" (1.105 m)	6'-1" (1.854 m)	38 (965)	3'-6" (1.067 m)	13 (330)	1:2.4
24 (600)	1520 (690)	3 (76)	9 1/2 (241)	35 (889)	3'-7 1/2" (1.105 m)	6'-1 1/2" (1.867 m)	40 (1016)	4'-0" (1.219 m)	14 (356)	1:2.5
27 (675)	1930 (875)	3 1/4 (83)	10 1/2 (267)	4'-0" (1.219 m)	25 1/2 (648)	6'-1 1/2" (1.867 m)	44 (1118)	4'-6" (1.372 m)	14 1/2 (368)	1:2.4
30 (750)	2190 (995)	3 1/2 (89)	12 (305)	4'-6" (1.375 m)	19 3/4 (502)	6'-1 3/4" (1.874 m)	48 (1219)	5'-0" (1.524 m)	15 (381)	1:2.5
33 (825)	3200 (1450)	3 3/4 (95)	13 1/2 (343)	4'-10 1/2" (1.486 m)	39 1/4 (997)	8'-1 3/4" (2.483 m)	54 (1372)	5'-6" (1.676 m)	17 1/2 (445)	1:2.5
36 (900)	4100 (1860)	4 (102)	15 (381)	5'-3" (1.6 m)	34 3/4 (883)	8'-1 3/4" (2.483 m)	60 (1524)	6'-0" (1.829 m)	20 (508)	1:2.5
42 (1050)	5380 (2440)	4 1/2 (114)	21 (533)	5'-3" (1.6 m)	35 (889)	8'-2" (2.489 m)	66 (1676)	6'-6" (1.981 m)	22 (559)	1:2.5
48 (1200)	6550 (2970)	5 (127)	24 (610)	6'-0" (1.829 m)	26 (660)	8'-2" (2.489 m)	72 (1829)	7'-0" (2.134 m)	22 (559)	1:2.5
54 (1350)	8240 (3740)	5 1/2 (140)	27 (686)	5'-5" (1.651 m)	35 (889)	8'-4" (2.54 m)	78 (1981)	7'-6" (2.286 m)	24 (610)	1:2.0
60 (1500)	8730 (3960)	6 (152)	35 (889)	5'-0" (1.524 m)	39 (991)	8'-3" (2.515 m)	84 (2134)	8'-0" (2.438 m)	•	1:1.9
66 (1650)	10710 (4860)	6 1/2 (165)	30 (762)	6'-0" (1.829 m)	27 (686)	8'-3" (2.515 m)	90 (2286)	8'-6" (2.591 m)	•	1:1.7
72 (1800)	12520 (5680)	7 (178)	36 (914)	6'-6" (1.981 m)	21 (533)	8'-3" (2.514 m)	96 (2438)	9'-0" (2.743 m)	•	1:1.8
78 (1950)	14770 (6700)	7 1/2 (191)	36 (914)	7'-6" (2.286 m)	21 (533)	9'-3" (2.819 m)	102 (2591)	9'-6" (2.896 m)	•	1:1.8
84 (2100)	18160 (8240)	8 (203)	36 (914)	7'-6 1/2" (2.299 m)	21 (533)	9'-3 1/2" (2.832 m)	108 (2743)	10'-0" (3.048 m)	•	1:1.6

• Radius as furnished by manufacturer

GENERAL NOTES

All slope ratios are expressed as units of vertical displacement to units of horizontal displacement (V:H).

All dimensions are in inches (millimeters) unless otherwise shown.

PRECAST REINFORCED CONCRETE FLARED DROP BOX END SECTION

FILE NAME = V:\3195\66883 (South Section)\CADD Sheets\0366883-sht-details-27.dgn	USER NAME = bdecreane	DESIGNED - LDZ	REVISED -	STATE OF ILLINOIS DEPARTMENT OF TRANSPORTATION	IL. RTE. 47 DETAILS	F.A.P. RTE. 326	SECTION (110)R, BR & BR-1	COUNTY GRUNDY	TOTAL SHEETS 644	SHEET NO. 477		
PLOT SCALE = 2.0000' / in.	CHECKED - DJD	REVISIED -	SCALE: N/A			SHEET NO. 27 OF 31 SHEETS	STA. N/A	TO STA. N/A	CONTRACT NO. 66883			
PLOT DATE = 8/6/2013	DATE - 7/15/2013	REVISIED -	FED. ROAD DIST. NO. ILLINOIS FED. AID PROJECT									