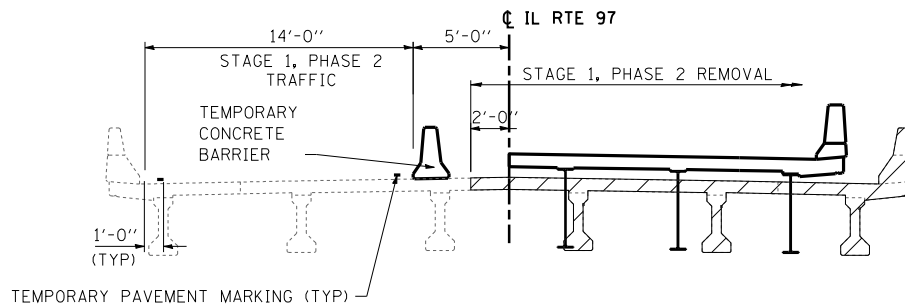
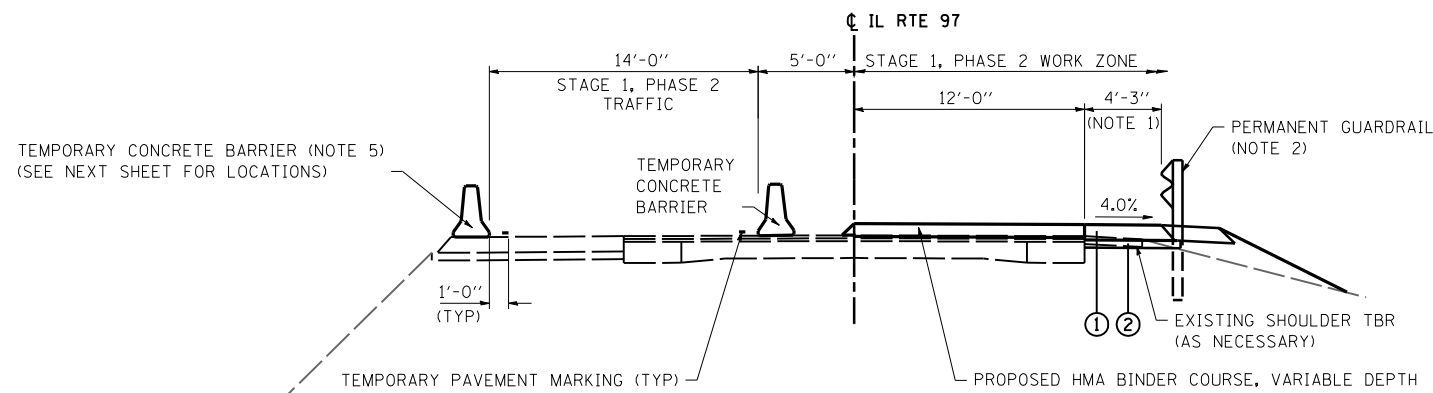


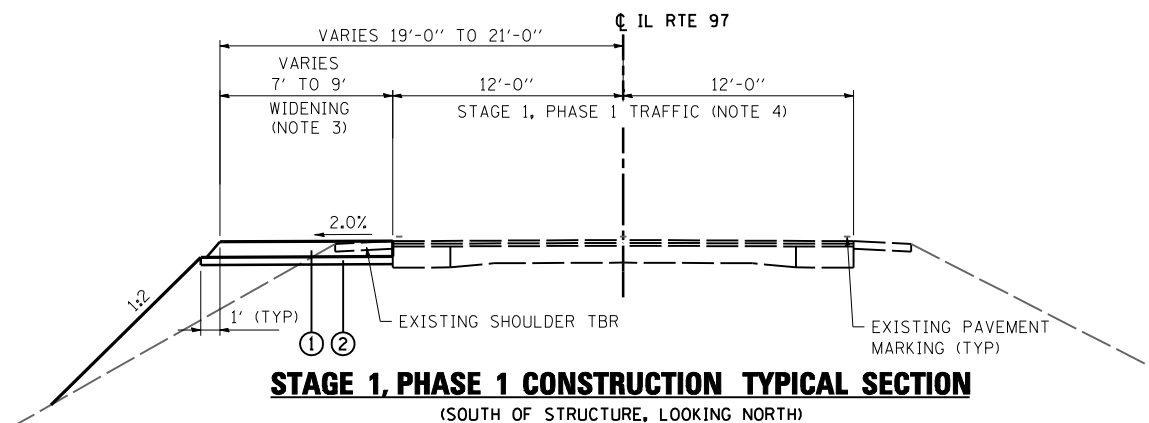
STAGE 1 BRIDGE TYPICAL SECTION - PPC DECK BEAM SPANS
(LOOKING NORTH AT STRUCTURE)
FOR INFORMATION ONLY



STAGE 1 BRIDGE TYPICAL SECTION - PPC I-BEAM SPANS
(LOOKING NORTH AT STRUCTURE)
FOR INFORMATION ONLY



STAGE 1, PHASE 2 CONSTRUCTION TYPICAL SECTION
(SOUTH OF STRUCTURE, LOOKING NORTH)



STAGE 1, PHASE 1 CONSTRUCTION TYPICAL SECTION
(SOUTH OF STRUCTURE, LOOKING NORTH)

LEGEND

- ① PROPOSED HMA BASE COURSE WIDENING, 8"
- ② PROPOSED SUBBASE GRANULAR MATERIAL, TYPE B 4"

STAGE CONSTRUCTION GENERAL NOTES

1. ONE LANE OF TRAFFIC ON ILLINOIS ROUTE 97 SHALL BE MAINTAINED AT ALL TIMES.
2. EMERGENCY ACCESS SHALL BE PROVIDED AT ALL TIMES.

SUGGESTED STAGE 1 CONSTRUCTION

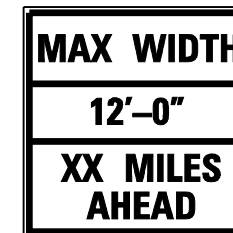
SUGGESTED STAGE 1

PHASE 1

1. UTILIZING TRAFFIC CONTROL AND PROTECTION, STANDARD 701001 AND 701006, REMOVE THE EXISTING ENTRANCE CULVERTS AND CONSTRUCT THE PROPOSED CULVERTS. GRADE AND SHAPE DITCHES TO MAINTAIN POSITIVE DRAINAGE.
2. RECONSTRUCT LEVEE AT NORTHWEST QUADRANT OF BRIDGE AND SHAPE DITCH TO FINAL PROPOSED GRADES FROM STA. 1973+27 LT TO STA. 1979+08 LT.
3. UTILIZING TRAFFIC CONTROL AND PROTECTION, STANDARD 701326, REMOVE THE EXISTING GUARDRAIL FROM STA. 1974+00 LT TO STA. 1978+90 LT AND THE TURN DOWN SECTION OF GUARDRAIL AT STA. 1963+40 LT. REMOVE THE EXISTING SHOULDER AND CONSTRUCT THE HMA BASE COURSE WIDENING, 8" ON THE LT SIDE OF THE ROADWAY FROM STA. 1960+10 TO STA. 1978+10. TRAFFIC CONTROL SURVEILLANCE SHALL BE PAID FOR THROUGHOUT THE DURATION THAT STANDARD 701326 IS UTILIZED.
4. PLACE TEMPORARY CONCRETE BARRIER AND IMPACT ATTENUATORS AS SHOWN ON THE NEXT SHEET.
5. INSTALL TEMPORARY TRAFFIC SIGNALS PRIOR TO CLOSING THE RT HALF OF ROADWAY. SEE NEXT PAGE FOR ADDITIONAL NOTES FOR TEMPORARY TRAFFIC SIGNALS.
6. INSTALL TEMPORARY PAVEMENT MARKING FOR STAGE 1, PHASE 2 TRAFFIC.

PHASE 2

1. UTILIZING TRAFFIC CONTROL AND PROTECTION, STANDARD 701321, DIRECT TRAFFIC TO THE LT LANE OF IL ROUTE 97.
2. CONSTRUCT TEMPORARY SHEET PILING AT THE NORTH AND SOUTH SIDE OF EXISTING STRUCTURE AND REMOVE THE RT SIDE OF THE EXISTING STRUCTURE.
3. CONSTRUCT THE RT SIDE OF THE BRIDGE AND BRIDGE APPROACH PAVEMENT.
4. PERFORM HMA SURFACE REMOVAL & BUTT JOINT AND CONSTRUCT THE PROPOSED HMA BINDER COURSE ON THE RT SIDE OF IL ROUTE 97, FROM STA. 1961+54 TO STA. 1964+50 AND FROM STA. 1973+80 TO STA. 1976+71.
5. CONSTRUCT THE HMA BASE COURSE WIDENING, 8" ON THE RT SIDE OF THE ROADWAY FROM STA. 1960+25 TO STA. 1978+50.
6. CONSTRUCT TEMPORARY RAMPS AT STA. 1964+50 AND STA. 1973+80.
7. PLACE TEMPORARY AGGREGATE AT ENTRANCES, IF NECESSARY, TO MAINTAIN ACCESS.
8. INSTALL GUARDRAIL AND EROS CONTROL AGG ON RT SIDE OF IL ROUTE 97 AND COMPLETE DRAINAGE AND GRADING IMPROVEMENTS.
9. INSTALL TEMPORARY PAVEMENT MARKING FOR STAGE 2 TRAFFIC.



W12-1103

PRIOR TO JUNCTION OF IL 97 AND IL 8 (2 ASSEMBLIES)
AT INTERSECTION WITH US 150 (2 ASSEMBLIES)

SEE SPECIAL PROVISION "WIDTH RESTRICTION
SIGNING" FOR FURTHER DETAILS.

WIDTH RESTRICTION SIGNING DETAILS

ADDITIONAL NOTES

- NOTE 1: HMA BASE COURSE WIDENING SHALL BE BUILT WIDE ENOUGH TO SUPPORT THE FINAL WIDTH SHOWN ON THE TYPICAL SECTIONS.
- NOTE 2: THE PERMANENT GUARDRAIL SHALL BE BUILT TALL ENOUGH TO MEET THE HEIGHT REQUIREMENTS LISTED ON HWY STD 630001 AFTER SURFACE COURSE HAS BEEN PLACED.
- NOTE 3: PROPOSED WIDENING LIMITS:
STA. 1960+10 TO STA. 1963+65 - 9'
STA. 1963+65 TO STA. 1965+15 - 7'
STA. 1973+43 TO STA. 1978+10 - 9'
- NOTE 4: TWO-WAY TRAFFIC SHALL BE PERMITTED DURING NON-CONSTRUCTION HOURS. SEE HWY STANDARD 701326 FOR LANE CLOSURE PROCEDURES DURING WIDENING OPERATIONS.
- NOTE 5: BARRIER SHALL BE PINNED ON TRAFFIC SIDE IN ALL THREE HOLES.

FILE NAME = D468759-sht-staging.dgn	USER NAME = default PLOT TIME = 8:52:25 AM PLOT SCALE = 100.0000' / IN. PLOT DATE = 8/9/2013	DESIGNED - RGV DRAWN - RGV CHECKED - BPS DATE -	REVISED - REVISED - REVISED - REVISED -	STATE OF ILLINOIS DEPARTMENT OF TRANSPORTATION	STAGE 1 TYPICAL SECTIONS & STAGING NOTES		F.A.P. RTE. = 626	SECTION = (44-B-1) BR	COUNTY = KNOX	TOTAL SHEETS = 122	SHEET NO. = 22
SCALE: SHEET 1 OF 6 SHEETS STA. TO STA.					ILLINOIS FED. AID PROJECT		CONTRACT NO. 68759				