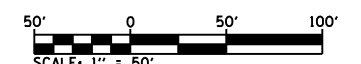
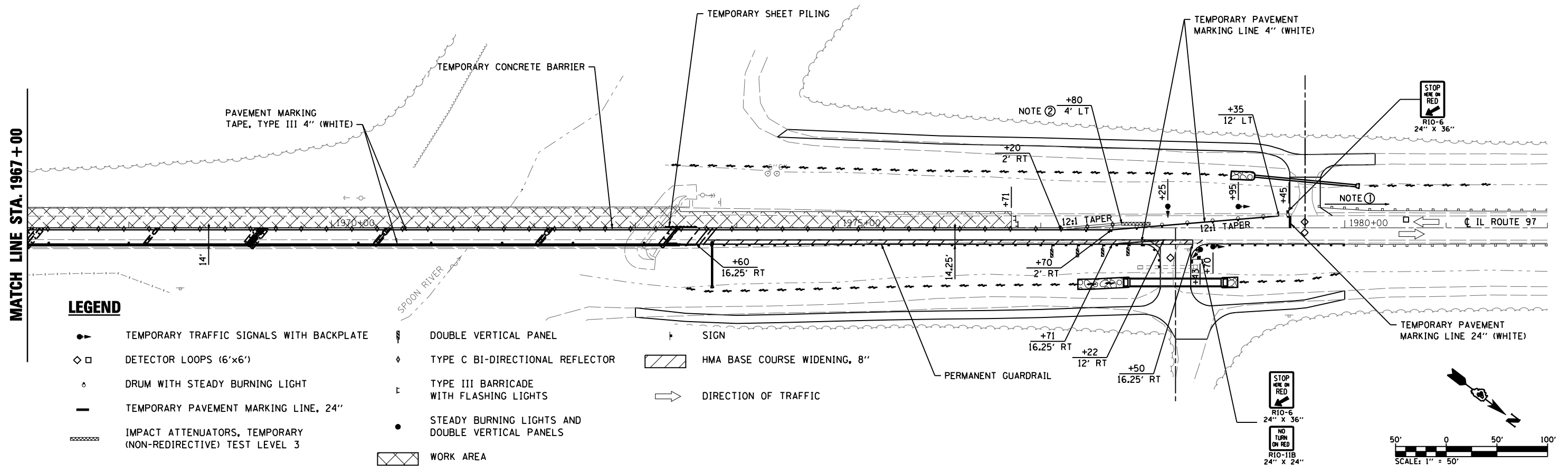
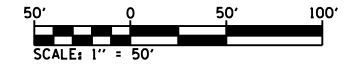
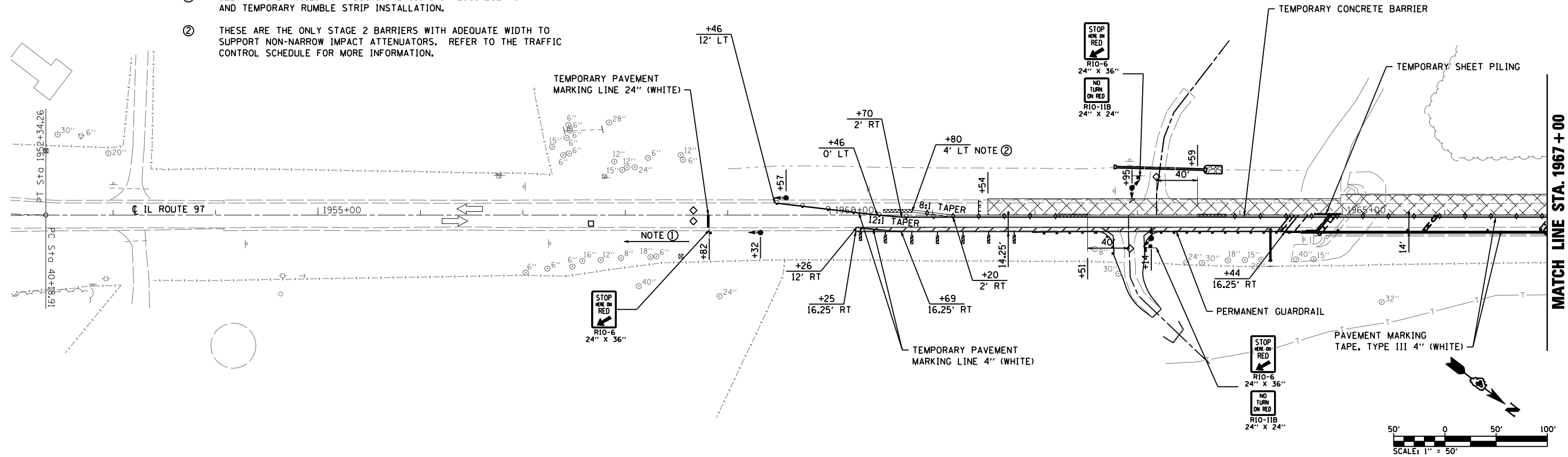


NOTES:

- ① SEE HWY STD 701321 FOR ADDITIONAL SIGNING REQUIREMENTS AND TEMPORARY RUMBLE STRIP INSTALLATION.
- ② THESE ARE THE ONLY STAGE 2 BARRIERS WITH ADEQUATE WIDTH TO SUPPORT NON-NARROW IMPACT ATTENUATORS. REFER TO THE TRAFFIC CONTROL SCHEDULE FOR MORE INFORMATION.



FILE NAME =
D468759-sht-staging.dgn

USER NAME = default
PLOT TIME = 8:52:29 AM
PLOT SCALE = 100.0000' / IN.
PLOT DATE = 8/9/2013

DESIGNED - RGV
DRAWN - RGV
CHECKED - BPS
DATE -

REVISED -
REVISED -
REVISED -
REVISED -

**STATE OF ILLINOIS
DEPARTMENT OF TRANSPORTATION**

STAGE 2 CONSTRUCTION & TRAFFIC CONTROL

SCALE: 1"=50' SHEET 4 OF 6 SHEETS STA. TO STA.

F.A.P. RTE.	SECTION	COUNTY	TOTAL SHEETS	SHEET NO.
626	(44-B-1) BR	KNOX	122	25
CONTRACT NO. 68759				
ILLINOIS FED. AID PROJECT				