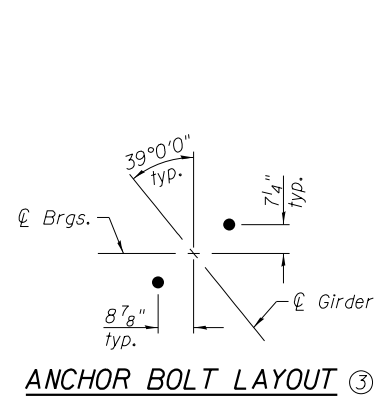
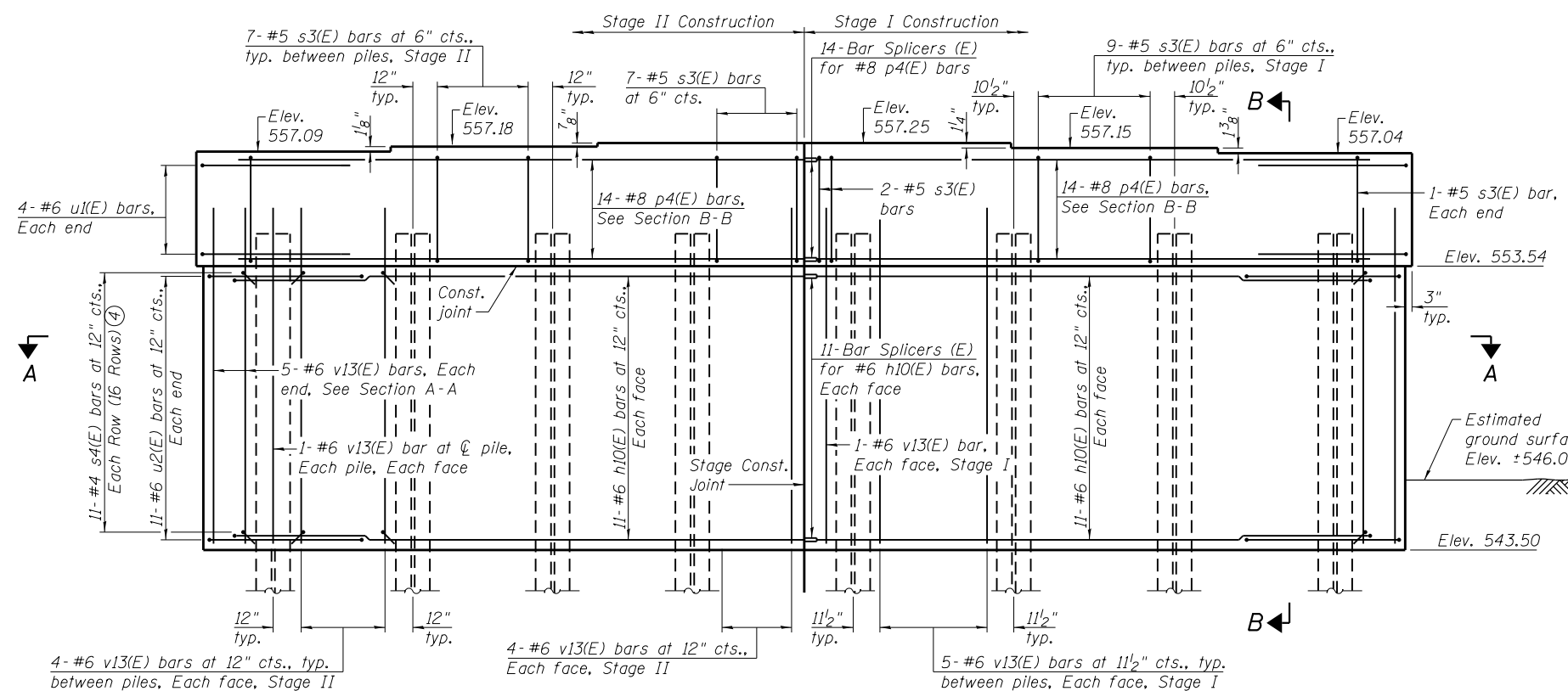
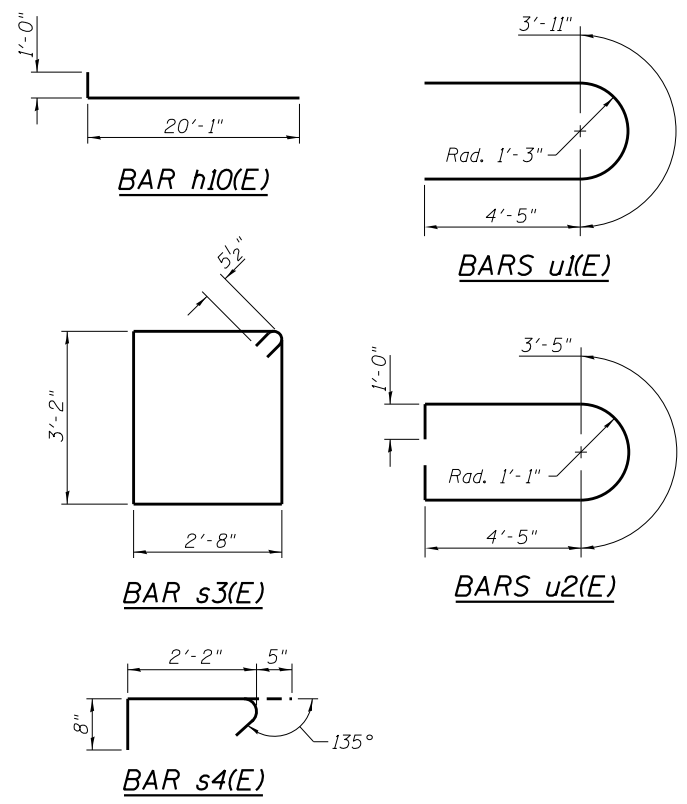


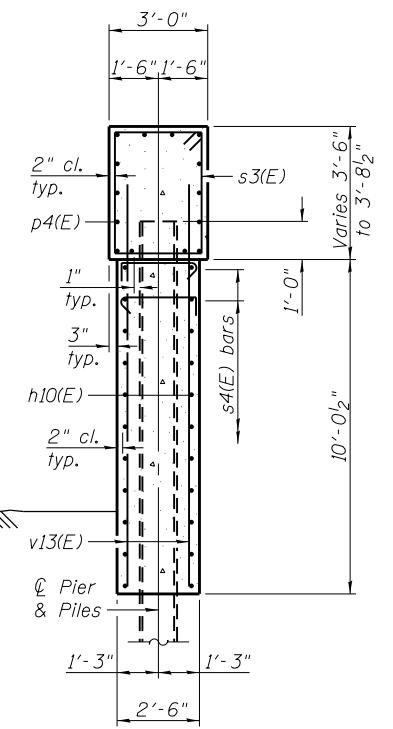
TOP PLAN



ANCHOR BOLT LAYOUT (3)



ELEVATION
(Looking North)



SECTION B-B

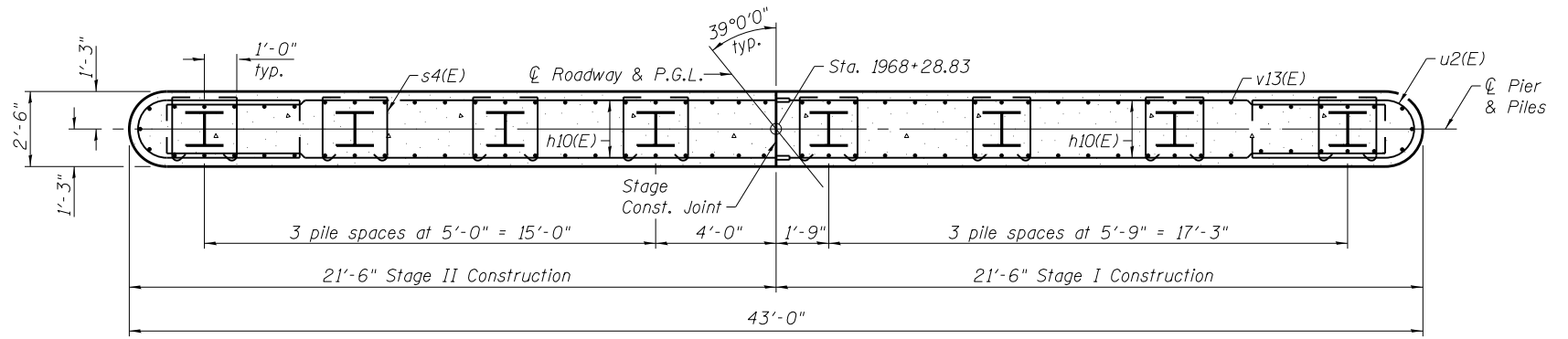
PILE DATA

Type: Steel HP14x73
 Nominal Required Bearing: 578 kips
 Factored Resistance Available: 317 kips
 Est. Length: 42 ft
 No. Production Piles: 7
 No. Test Piles: 1

BILL OF MATERIAL

Bar	No.	Size	Length	Shape
h10(E)	44	#6	21'-1"	—
p4(E)	28	#8	20'-1"	—
s3(E)	59	#5	12'-7"	□
s4(E)	176	#4	3'-3"	┌
u1(E)	8	#6	12'-9"	U
u2(E)	22	#6	14'-3"	U
v13(E)	90	#6	12'-2"	—
Structure Excavation		Cu. Yd.	28	
Concrete Structures		Cu. Yd.	56.7	
Reinforcement Bars, Epoxy Coated		Pound	6,320	
Furnishing Steel Piles HP14x73		Foot	294	
Driving Piles		Foot	294	
Test Pile Steel HP14x73		Each	1	

- Notes:
 (1) Pour steps monolithically with cap.
 (2) For details of piles, see sheet 50 of 62.
 (3) Space reinforcement in cap to miss anchor bolts.
 (4) Space s4(E) bars vertically with h10(E) bars and horizontally as shown in Section A-A. Alternate s4(E) bars end for end as shown in Section B-B.
 (5) For details of Bar Splicers, see sheet 51 of 62.



SECTION A-A



OATES ASSOCIATES, Inc.
 100 Lamar Court, Suite 1
 Columbia, MD 21034
 Tel: 410.345.2200
 Fax: 410.345.7253
 www.oatesassociates.com

USER NAME =	DESIGNED - JAD	REVISED
PLOT SCALE =	CHECKED - SUN	REVISED
PLOT DATE =	DRAWN - DBB	REVISED
	CHECKED - SUN	REVISED

STATE OF ILLINOIS
 DEPARTMENT OF TRANSPORTATION

PIER 3 DETAILS
 STRUCTURE NO. 048-0100
 SHEET NO. 45 OF 62 SHEETS

F.A.P. RTE. 626	SECTION (44-B-1)BR	COUNTY KNOX	TOTAL SHEETS 122	SHEET NO. 75
				CONTRACT NO. 68759
ILLINOIS FED. AID PROJECT				