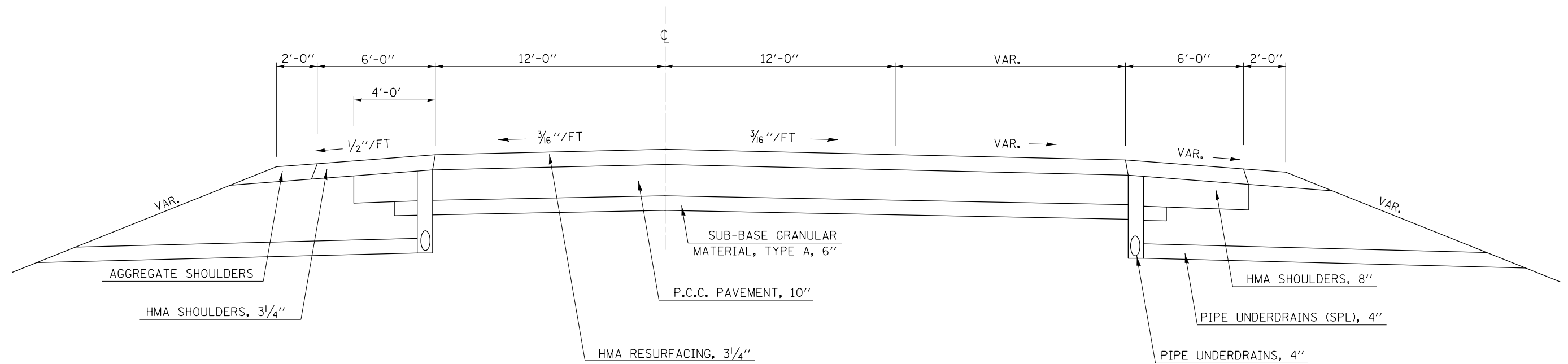


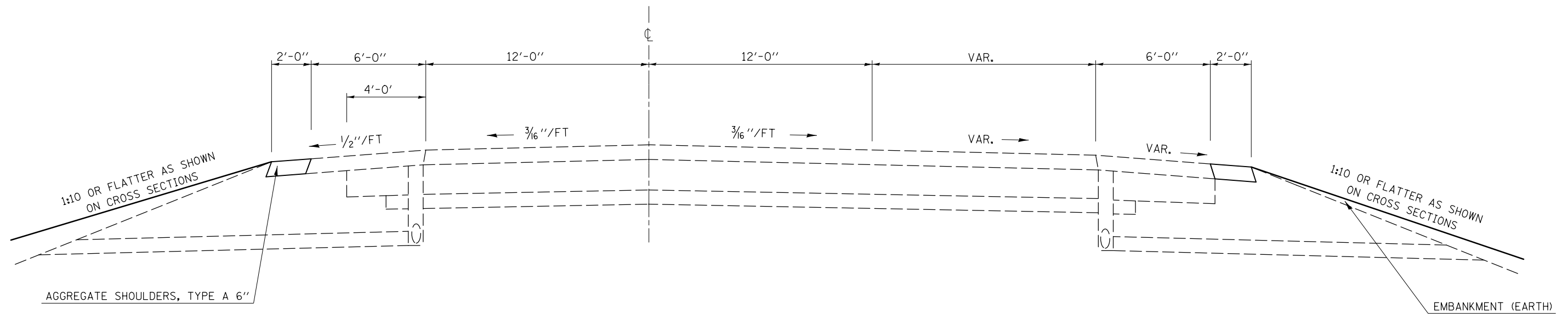
EXISTING TYPICAL CROSS SECTION

STATION TO STATION
635+50.00 639+50.00 (ROADWAY A I-74 EB)



PROPOSED TYPICAL CROSS SECTION 11

STATION TO STATION
635+50.00 639+50.00 (ROADWAY A I-74 EB)



FILE NAME =	USER NAME = detersbj	DESIGNED -	REVISED -	STATE OF ILLINOIS DEPARTMENT OF TRANSPORTATION	TYPICAL SECTIONS	F.A.I. RTE.	SECTION	COUNTY	TOTAL SHEETS	SHEET NO.
ci:\pw\work\p1dot\detersbj\d0157116\d570570-sht-typicals.dgn		DRAWN -	REVISED -			74	57-20(HB,HB-1)BR-1	MCLEAN	440	29
	PLOT SCALE = 40.0000' / in.	CHECKED -	REVISED -			CONTRACT NO. 70570				
	PLOT DATE = 8/13/2013	DATE -	REVISED -		SCALE:	SHEET NO. 11 OF 14 SHEETS	STA.	TO STA.	ILLINOIS FED. AID PROJECT	