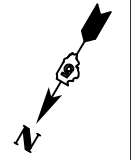
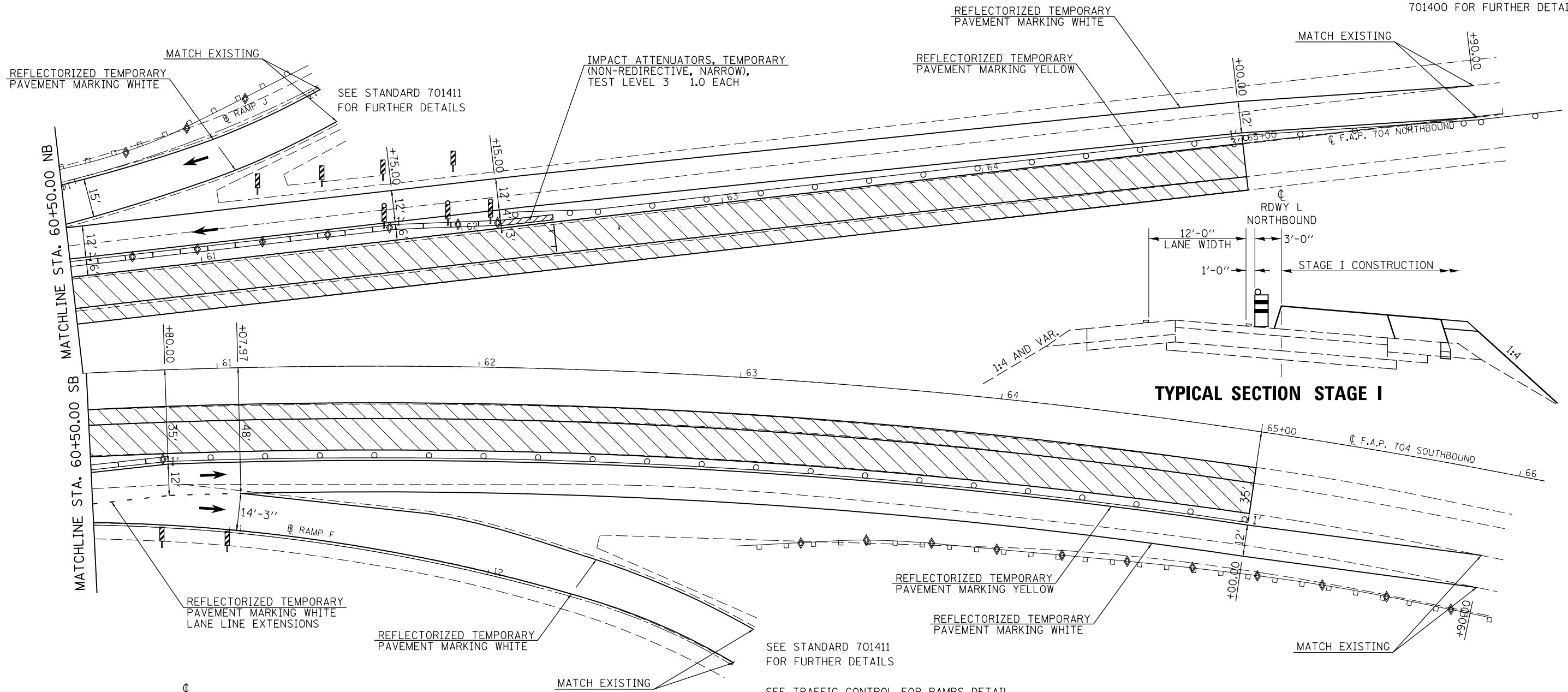


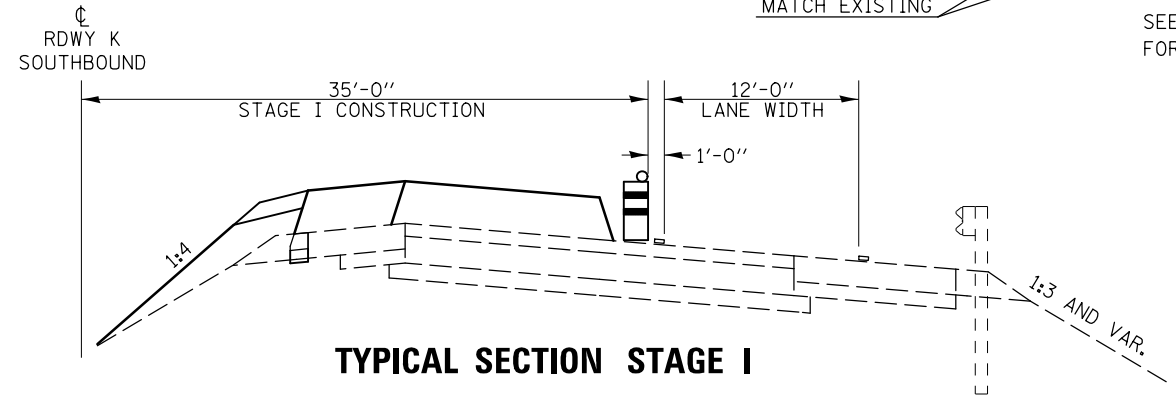
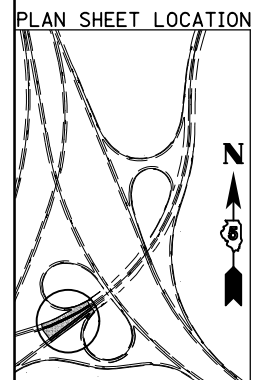
STAGE I



SEE STANDARDS 701402 AND 701400 FOR FURTHER DETAILS



TYPICAL SECTION STAGE I



TYPICAL SECTION STAGE I

SEE STANDARD 701411 FOR FURTHER DETAILS
SEE TRAFFIC CONTROL FOR RAMP DETAIL FOR STAGE IA & STAGE II RAMP CLOSURE DETAILS

NOTES:
PLACING, MAINTAINING AND REMOVING TEMPORARY PAVEMENT MARKINGS AND ALL OTHER TRAFFIC CONTROL DEVICES SHOWN ON THE DETAILS AND IN THE TRAFFIC CONTROL AND PROTECTION STANDARDS WILL NOT BE PAID FOR SEPARATELY BUT SHALL BE INCLUDED IN THE COST FOR TRAFFIC CONTROL AND PROTECTION (SPECIAL).

BARRIER WALL/GUARDRAIL MARKERS SHALL BE PLACED AT 25' CENTERS. MARKERS ON RIGHT SHALL BE CRYSTAL AND MARKERS ON LEFT SHALL BE AMBER.

- WORK AREA
- TEMPORARY CONCRETE BARRIER
- VERTICAL PANELS
- VERTICAL PANELS WITH MONO-DIRECTIONAL FLASHING LIGHTS
- TYPE II BARRICADES OR DRUMS WITH MONO-DIRECTIONAL STEADY BURNING LIGHTS
- TYPE B OR C MONODIRECTIONAL REFLECTORS
- TYPE III BARRICADE WITH MONO-DIRECTIONAL FLASHING LIGHTS

FILE NAME =	USER NAME = detersbj	DESIGNED - BJH	REVISED -
ei:\pw\work\p\id\detersbj\0157116\0570570-sht-pln.dgn		DRAWN -	REVISED -
	PLOT SCALE = 48.0000' / in.	CHECKED -	REVISED -
	PLOT DATE = 8/13/2013	DATE - 04/18/13	REVISED -

**STATE OF ILLINOIS
DEPARTMENT OF TRANSPORTATION**

**TRAFFIC CONTROL & PROTECTION STAGE I
F.A.P. ROUTE 704 (VETERAN'S PARKWAY)**

SCALE: SHEET 5 OF 5 SHEETS STA. 60+50.00 TO STA. 66+00.00

F.A.P. RTE.	SECTION	COUNTY	TOTAL SHEETS	SHEET NO.
704	57-20(HB,HB-1)BR-1	MCLEAN	440	107
CONTRACT NO. 70570				
ILLINOIS FED. AID PROJECT				