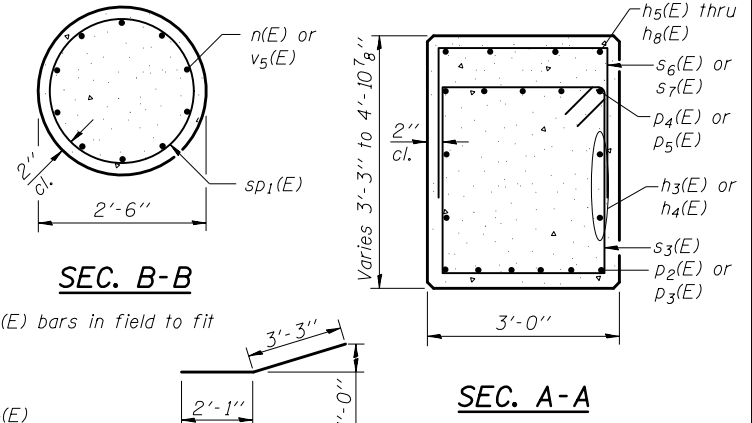
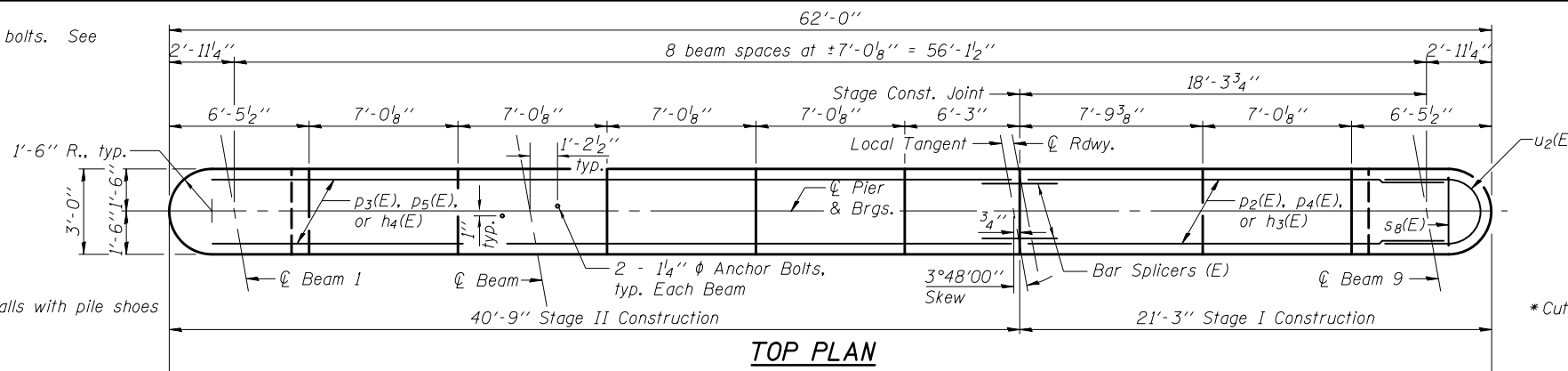


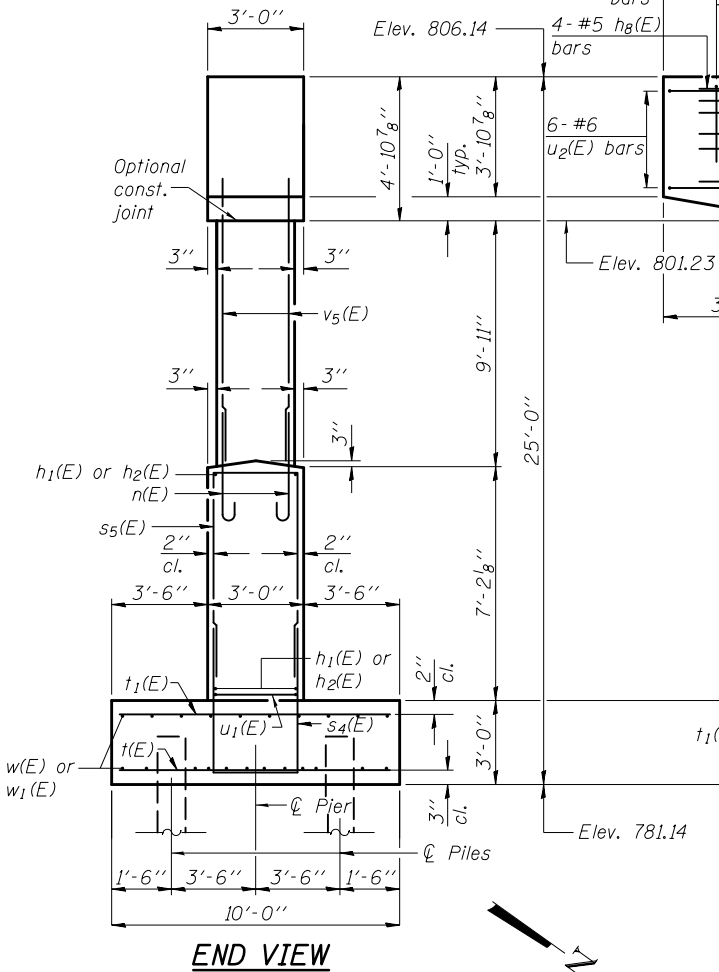
Notes:
 Space reinforcement in cap to miss anchor bolts. See sheet 19 of 28 for details of anchor bolts.
 Four steps monolithically with cap.
 For details of piles, see sheet 24 of 28.

PILE DATA

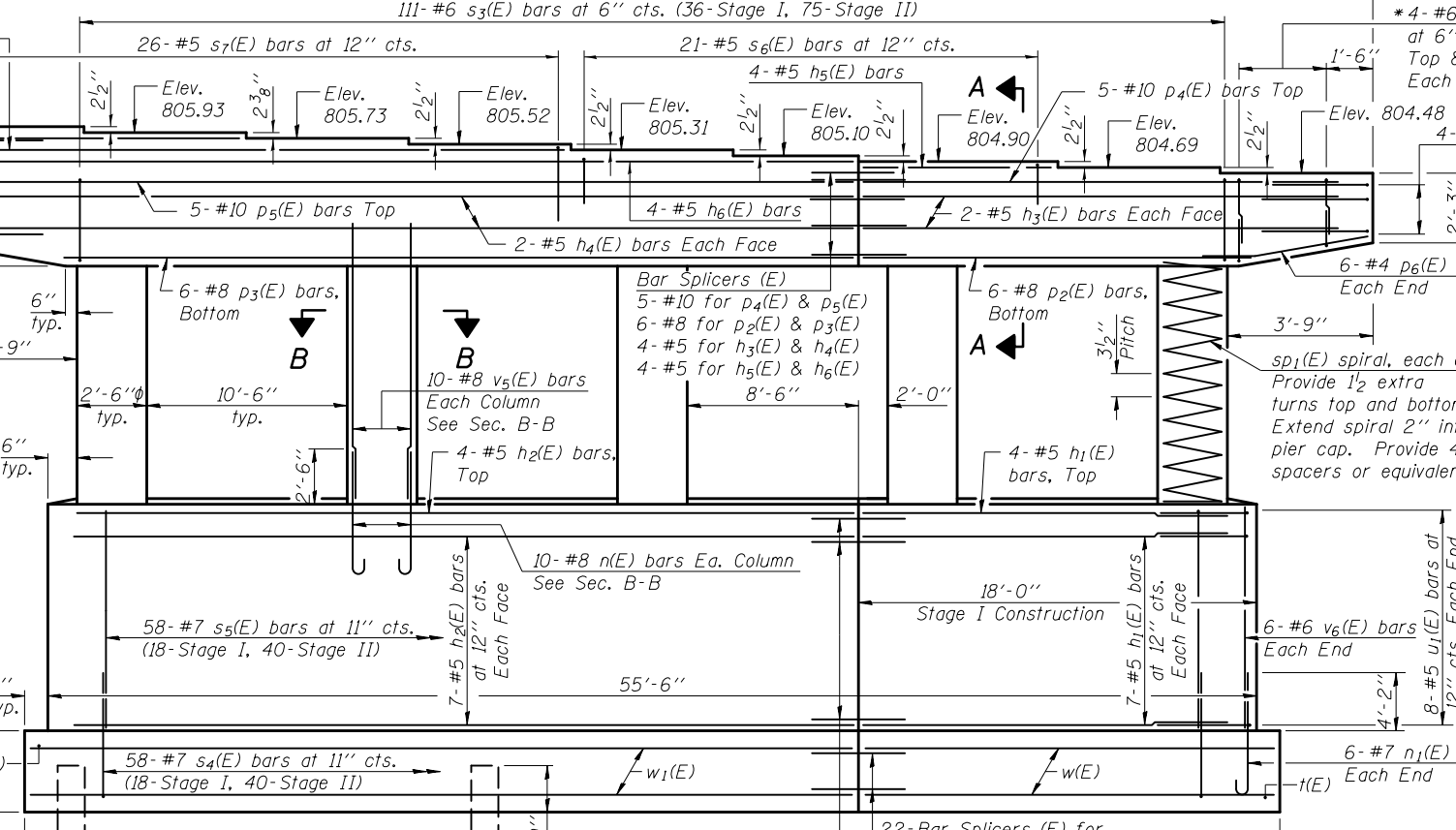
Type: Metal Shell - 14 in. dia. x 0.250 in. walls with pile shoes
 Nominal Required Bearing: 255 kips
 Factored Resistance Available: 140 kips
 Est. Length: 21 ft.
 No. Production Piles: 19
 No. Test Piles: 1



TOP PLAN



END VIEW



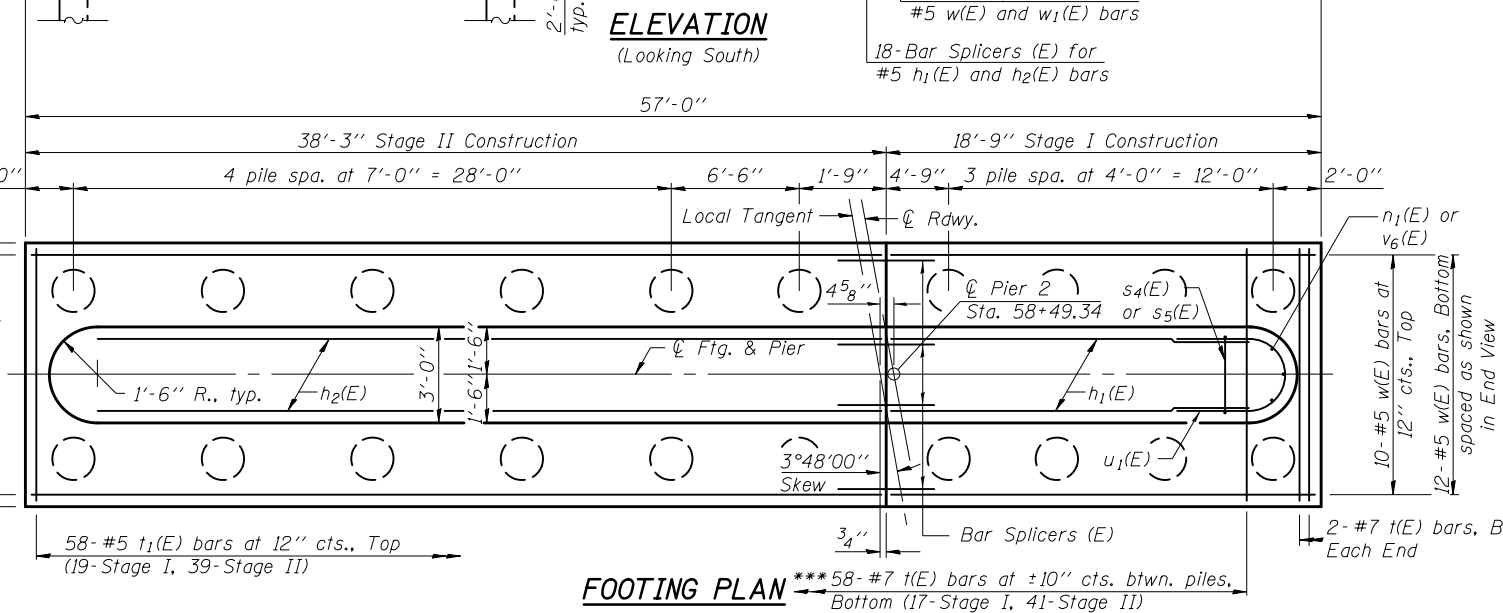
ELEVATION
(Looking South)

A DIMENSIONS

Bar	A
s4(E)	6'-11"
s5(E)	7'-0"
s6(E)	1'-7"
s7(E)	2'-5"
s8(E)	2'-6"

BARS

*** 8 bars per 7'-0" space
 7 bars per 6'-6" space
 4 bars per 4'-0" space
 5 bars to west and 2 bars to east of stage const. jt.



FOOTING PLAN

BAR p6(E)

BARS n(E) & n1(E)

BAR s3(E)

BARS u1(E) & u2(E)

BILL OF MATERIAL

Bar	No.	Size	Length	Shape
h1(E)	18	#5	16'-4"	—
h2(E)	18	#5	35'-10"	—
h3(E)	4	#5	19'-7"	—
h4(E)	4	#5	39'-1"	—
h5(E)	4	#5	7'-5"	—
h6(E)	4	#5	39'-1"	—
h7(E)	4	#5	25'-10"	—
h8(E)	4	#5	11'-10"	—
n(E)	50	#8	4'-11"	U
n1(E)	12	#7	7'-7"	U
p2(E)	6	#8	17'-10"	—
p3(E)	6	#8	37'-4"	—
p4(E)	5	#10	19'-7"	—
p5(E)	5	#10	39'-1"	—
p6(E)	12	#4	5'-4"	—
s3(E)	111	#6	12'-6"	□
s4(E)	58	#7	16'-6"	□
s5(E)	58	#7	16'-8"	□
s6(E)	21	#5	5'-10"	□
s7(E)	26	#5	7'-6"	□
s8(E)	16	#6	7'-8"	□
sp1(E)	5	#4	10'-1"	~
t(E)	62	#7	9'-8"	—
t1(E)	58	#5	9'-8"	—
u1(E)	16	#5	9'-0"	U
u2(E)	10	#6	10'-8"	U
v5(E)	50	#8	12'-6"	—
v6(E)	12	#6	7'-0"	—
w(E)	22	#5	18'-5"	—
w1(E)	22	#5	37'-11"	—
Structure Excavation Cu. Yd. 219				
Concrete Structures Cu. Yd. 142.7				
Reinforcement Bars, Epoxy Coated Pound 17200				
Furnishing Metal Shell Piles 14" x 0.250" Foot 399				
Driving Piles Foot 399				
Test Pile Metal Shells Each 1				
Pile Shoes Each 20				
Concrete Sealer Sq. Ft. 1960				

** Length is height of spiral.