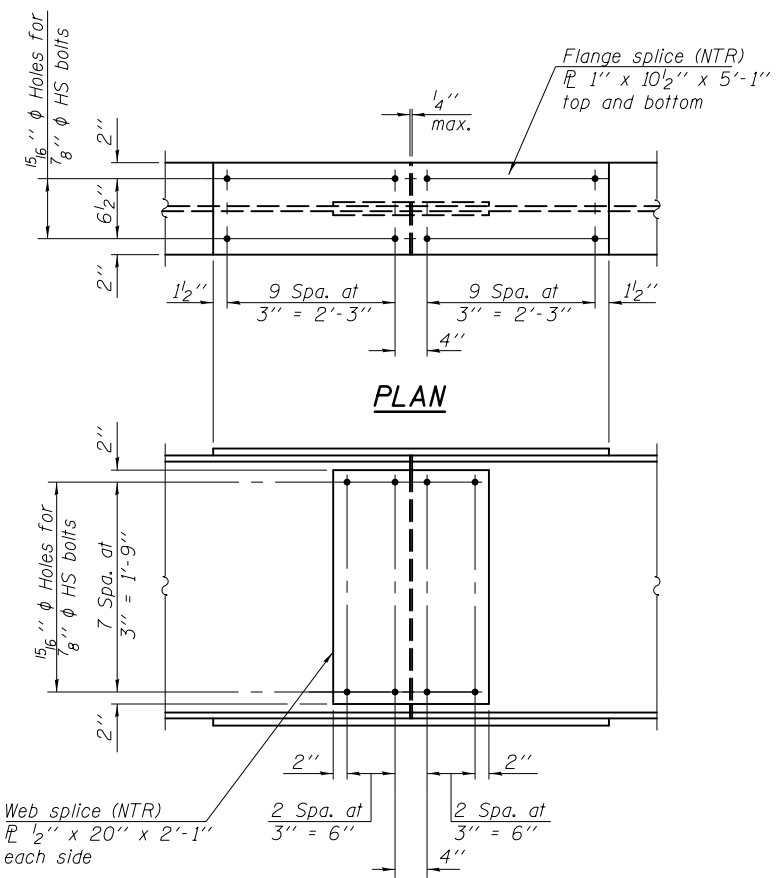
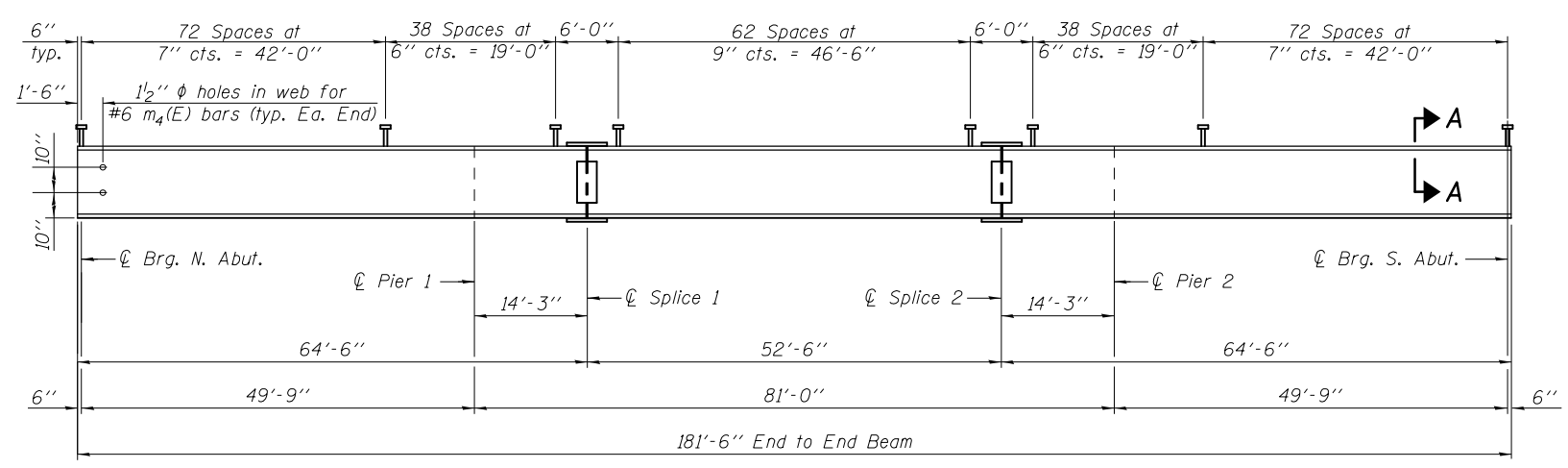


PLAN



ELEVATION

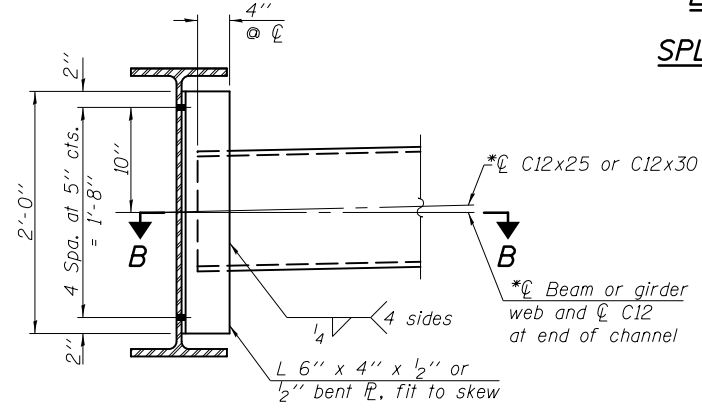
SPLICE DETAIL
(14 Required)



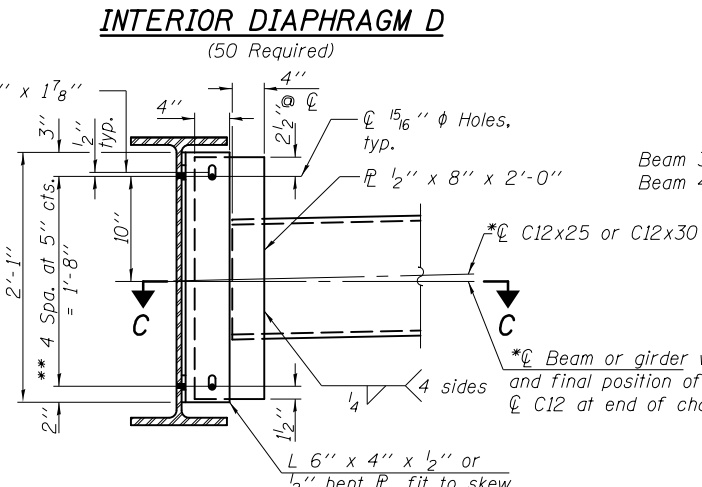
ELEVATION

Notes:
 All structural steel beams and splice plates shall conform to the requirements of AASHTO M 270, Grade 50.
 Load carrying components designated "NTR" shall conform to the Impact Testing Requirements, Zone 2.
 All cross frames or diaphragms shall be installed as steel is erected and secured with erection pins and bolts except as otherwise noted. Individual cross frames or diaphragms at supports may be temporarily disconnected to install bearing anchor rods.

Diaphragm Notes:
 3/4" φ HS bolts, 1 5/16" φ Holes, unless otherwise noted.
 Two hardened washers required over each oversized hole, and 3" x 3" x 5/16" plate washers over slotted holes.
 *Alternate channels are permitted to facilitate material acquisition. Calculated weight of structural steel is based on the lighter section. The alternate, if utilized, shall be provided at no additional cost to the Department.
 ** Slotted holes (at Beam 4 only) shall extend above the final bolt positions as indicated in the diaphragm detail. Bolts shall be installed finger tight in the slots to permit the maximum deflection downward within the slots due to the applied concrete load, then fully tightened immediately after Stage II deck pour.



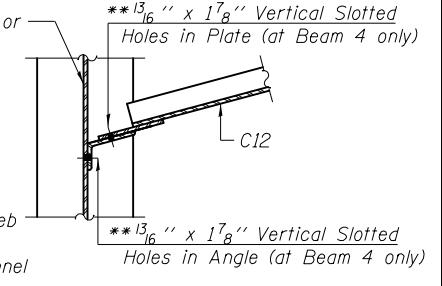
SECTION B-B



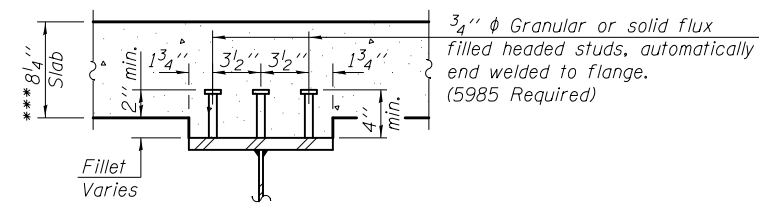
INTERIOR DIAPHRAGM D
(50 Required)



INTERIOR DIAPHRAGM D1
(10 Required)



SECTION C-C



SECTION A-A

TOP OF BEAM ELEVATIONS
(For Fabrication Only)

	☉ Brg. N. Abut.	☉ Pier 1	☉ Splice 1	☉ Splice 2	☉ Pier 2	☉ Brg. S. Abut.
Beam 1	809.90	809.45	809.32	808.92	808.84	808.54
Beam 2	809.56	809.11	808.98	808.58	808.49	808.19
Beam 3	809.22	808.77	808.64	808.24	808.15	807.84
Beam 4	808.88	808.42	808.29	807.89	807.80	807.50
Beam 5	808.54	808.08	807.94	807.54	807.45	807.15
Beam 6	808.19	807.73	807.60	807.19	807.11	806.80
Beam 7	807.85	807.39	807.26	806.85	806.76	806.45

*** Before Diamond Grinding of Bridge Section