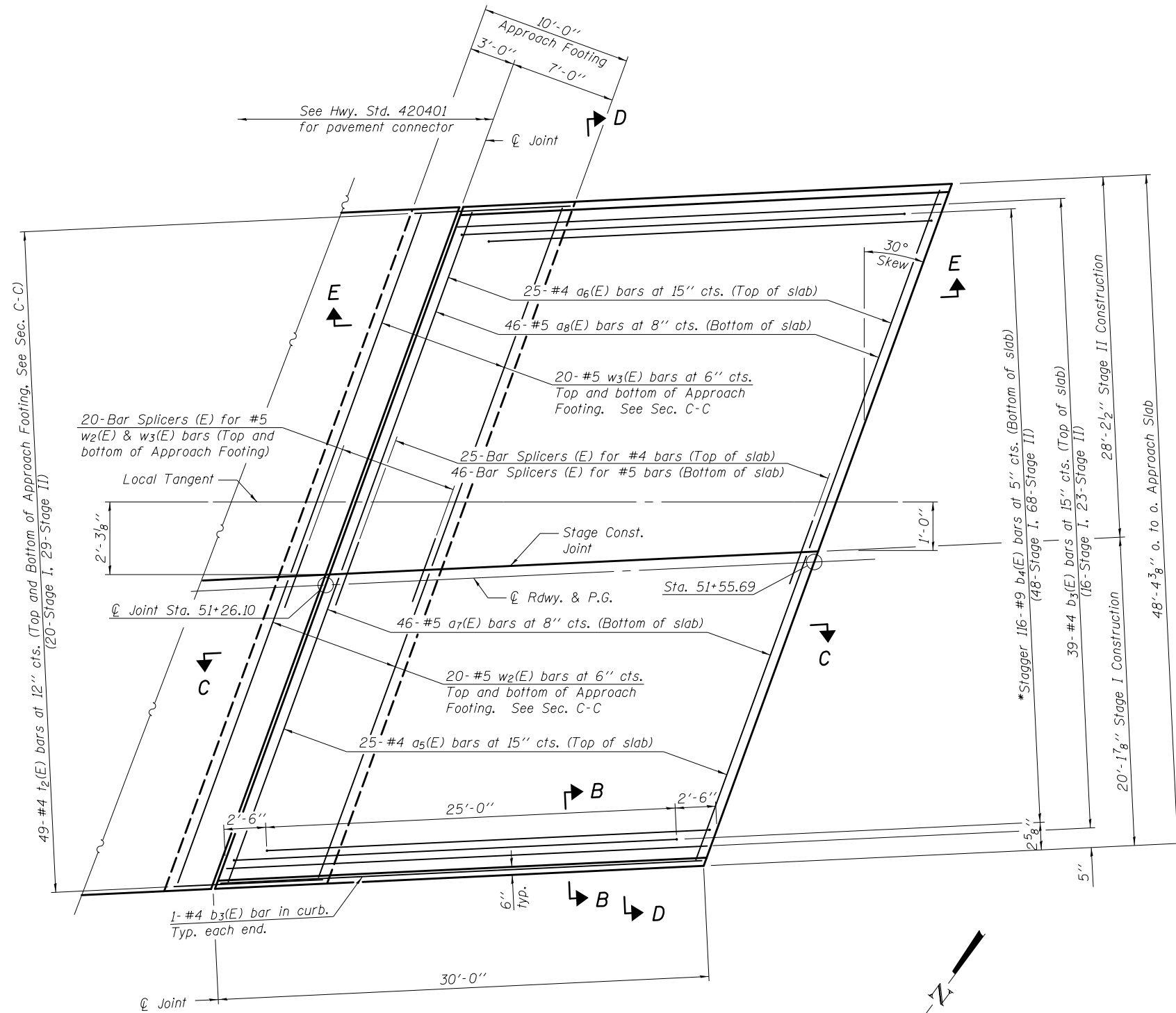
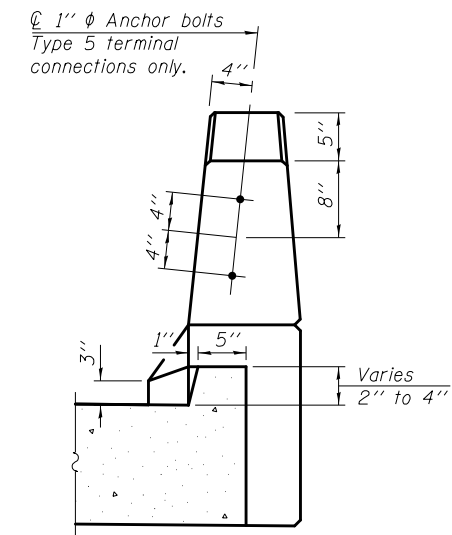


Notes:
See sheet 16 of 28 for Sections C-C & D-D and View E-E.
a₅(E) thru a₈(E) bar spacings measured along \hat{C} Rdwy.



PLAN - NORTH APPROACH

* Tilt #9 b₄(E) bars as required to maintain clearance.



VIEW B-B

(Sheet 1 of 3)