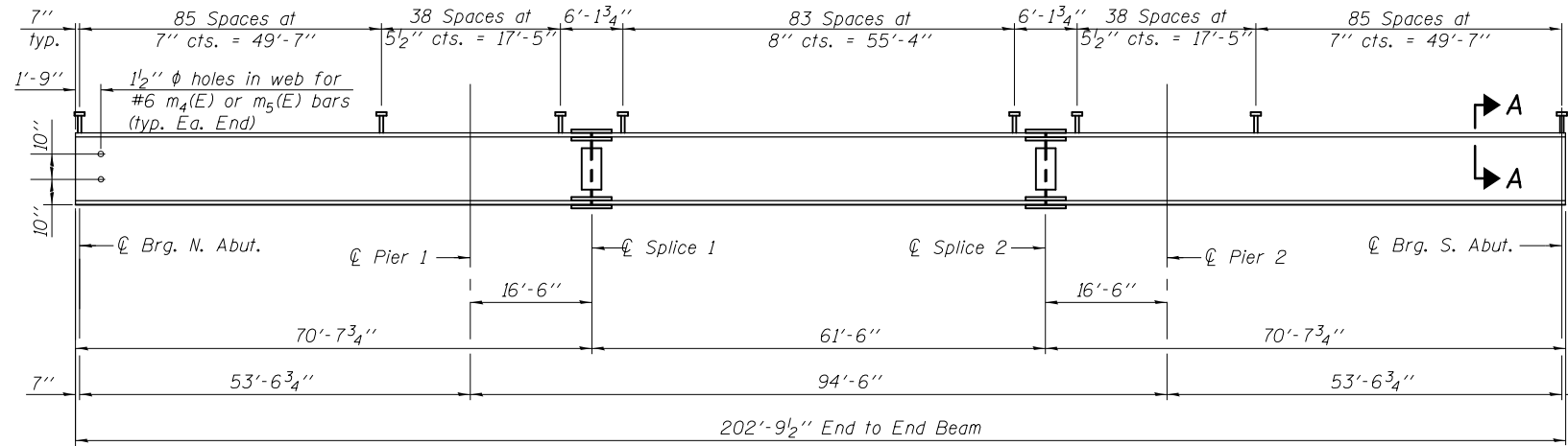
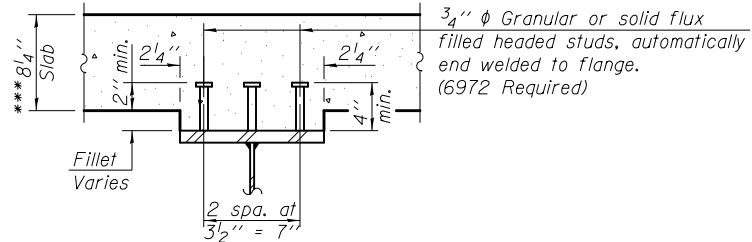


PLAN



ELEVATION



SECTION A-A

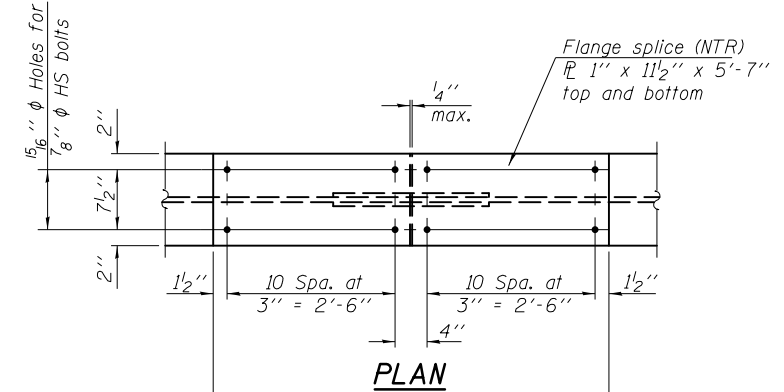
*** Prior to Diamond Grinding of Bridge Section

TOP OF BEAM ELEVATIONS
(For Fabrication Only)

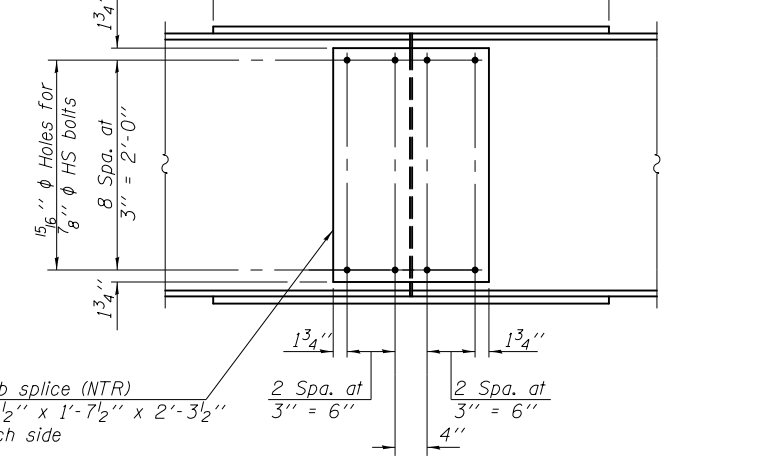
	℄ Brg. N. Abut.	℄ Pier 1	℄ Splice 1	℄ Splice 2	℄ Pier 2	℄ Brg. S. Abut.
Beam 1	814.359	813.922	813.788	813.377	813.292	813.019
Beam 2	814.059	813.623	813.489	813.070	812.982	812.699
Beam 3	813.769	813.322	813.185	812.761	812.673	812.389
Beam 4	813.469	813.022	812.885	812.454	812.363	812.069
Beam 5	813.179	812.722	812.582	812.143	812.052	811.759
Beam 6	812.889	812.422	812.279	811.837	811.743	811.439
Beam 7	812.589	812.122	811.979	811.527	811.433	811.129

Notes:
 All structural steel beams and splice plates shall conform to the requirements of AASHTO M 270, Grade 50.
 Load carrying components designated "NTR" shall conform to the Impact Testing Requirements, Zone 2.
 All cross frames or diaphragms shall be installed as steel is erected and secured with erection pins and bolts except as otherwise noted. Individual cross frames or diaphragms at supports may be temporarily disconnected to install bearing anchor rods.

Diaphragm Notes:
 3/4" φ HS bolts, 15/16" φ Holes, unless otherwise noted.
 Two hardened washers required over each oversized hole, and 3" x 3" x 5/16" plate washers over slotted holes.
 *Alternate channels are permitted to facilitate material acquisition. Calculated weight of structural steel is based on the lighter section. The alternate, if utilized, shall be provided at no additional cost to the Department.
 ** Slotted holes (at Beam 4 only) shall extend above the final bolt positions as indicated in the diaphragm detail. Bolts shall be installed finger tight in the slots to permit the maximum deflection downward within the slots due to the applied concrete load, then fully tightened immediately after Stage II deck pour.

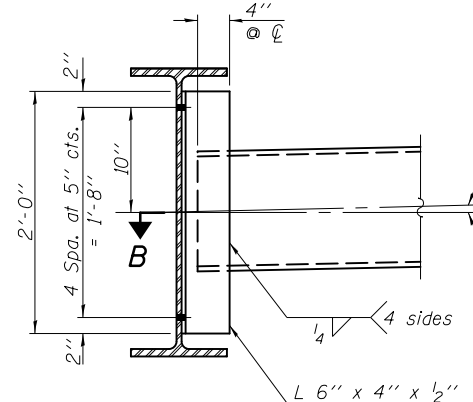


PLAN



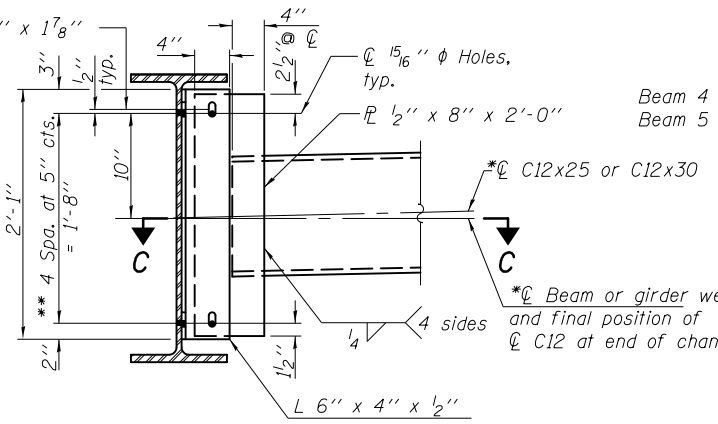
ELEVATION

SPLICE DETAIL
(14 Required)



INTERIOR DIAPHRAGM D

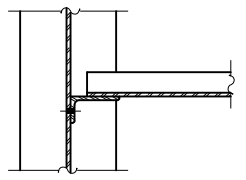
(50 Required)



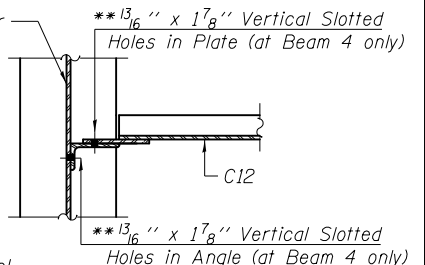
INTERIOR DIAPHRAGM D1

(10 Required)

(Final position shown - after Stage II deck pour)



SECTION B-B



SECTION C-C