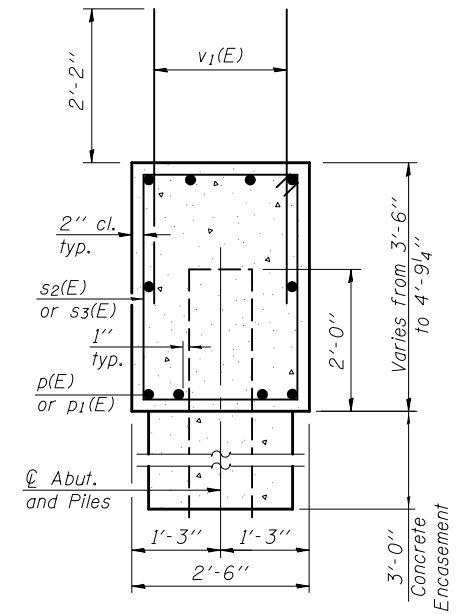
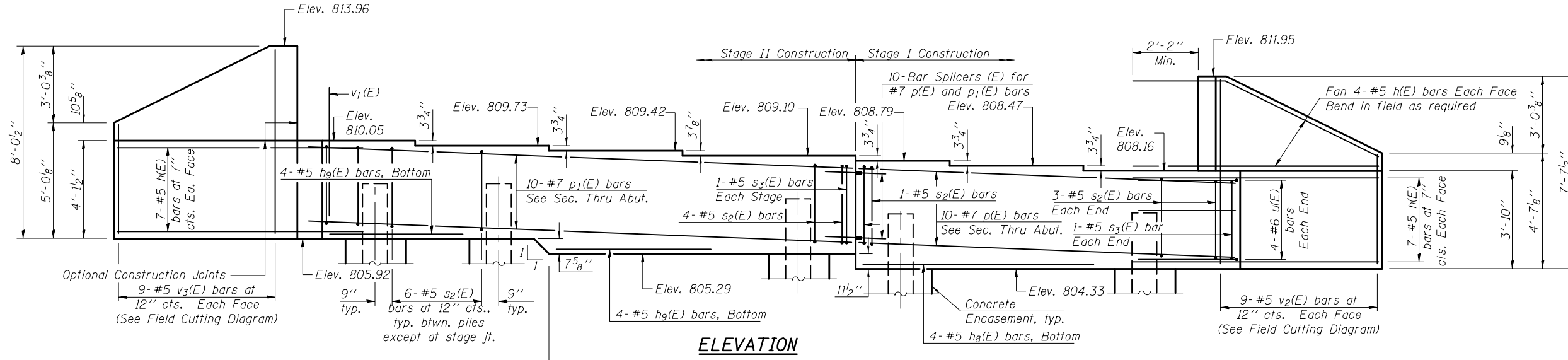
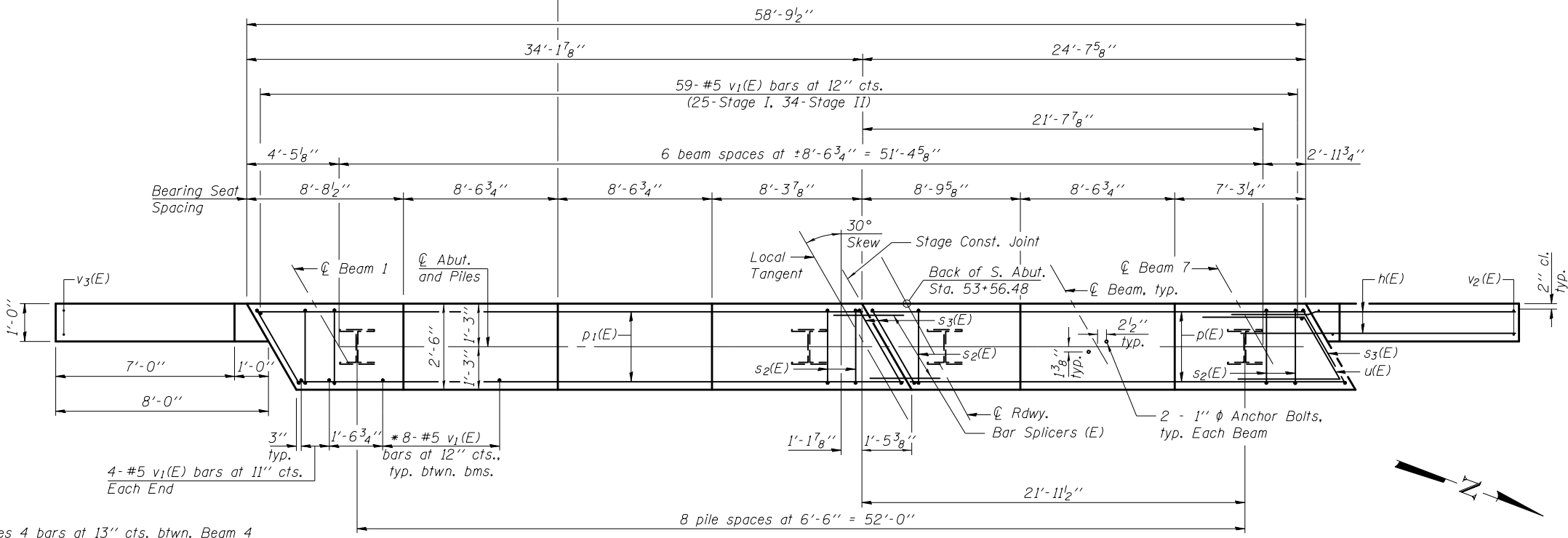


Notes:
 Pour steps monolithically with cap.
 Space reinforcement bars to miss anchor bolts. See sheet 18 of 28 for details of anchor bolts.



SEC. THRU ABUT.

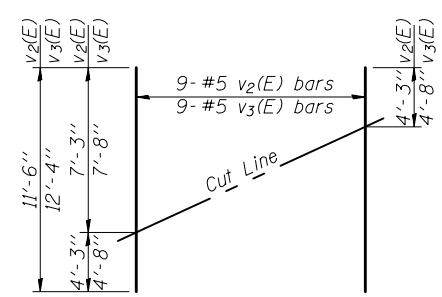


PLAN

* Includes 4 bars at 13" cts. btwn. Beam 4 and Stage Const. Jt. and 4 bars at 11" cts. btwn. Beam 5 and Stage Const. Jt.

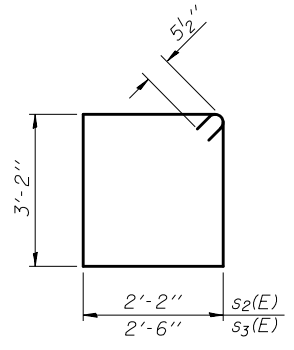
PILE DATA

Type: Steel - HP12x53
 Nominal Required Bearing: 239 kips
 Factored Resistance Available: 131 kips
 Est. Length: 47 ft. (all piles)
 No. Production Piles: 8
 No. Test Piles: 1

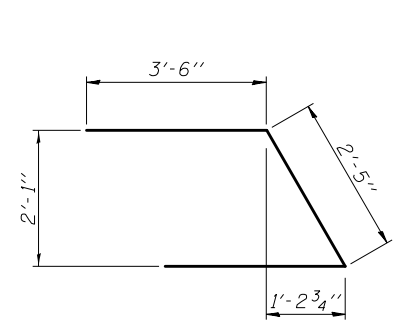


FIELD CUTTING DIAGRAM

Order v2(E) and v3(E) full length. Cut as shown and use remainder of bars in opposite face.



BARS s2(E) & s3(E)



BAR u(E)

BILL OF MATERIAL

Bar	No.	Size	Length	Shape
h(E)	44	#5	10'-8"	—
hg(E)	4	#5	18'-0"	—
hg(E)	8	#5	10'-0"	—
p(E)	10	#7	24'-2"	—
p1(E)	10	#7	33'-9"	—
s2(E)	53	#5	11'-7"	□
s3(E)	4	#5	12'-3"	□
u(E)	8	#6	9'-5"	∟
v1(E)	115	#5	4'-4"	—
v2(E)	9	#5	11'-6"	—
v3(E)	9	#5	12'-4"	—
Structure Excavation		Cu. Yd.	135	
Concrete Structures		Cu. Yd.	25.7	
Reinforcement Bars, Epoxy Coated		Pound	3380	
Furnishing Steel Piles HP12x53		Foot	376	
Driving Piles		Foot	376	
Test Pile Steel HP12x53		Each	1	
Concrete Encasement		Cu. Yd.	3.1	

For details of Bar Splicers, see sheet 25 of 28.
 For details of piles and Concrete Encasement, see sheet 24 of 28.