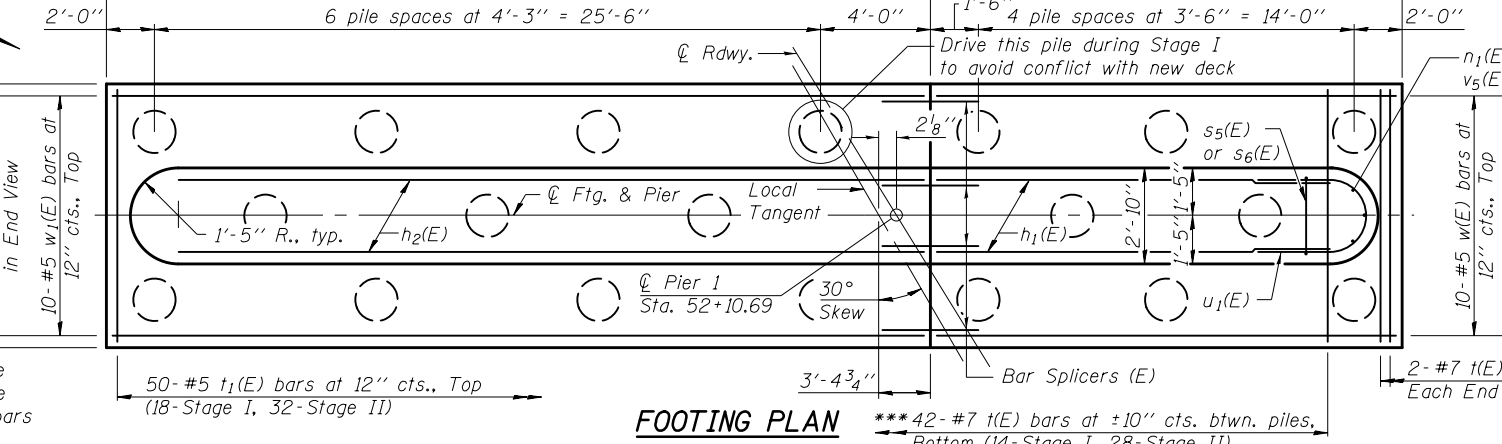
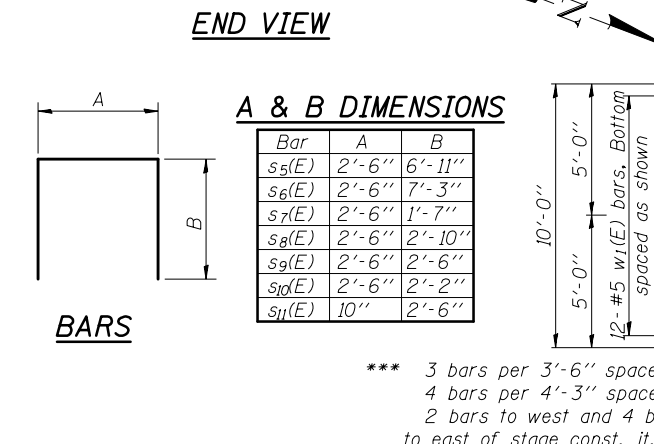
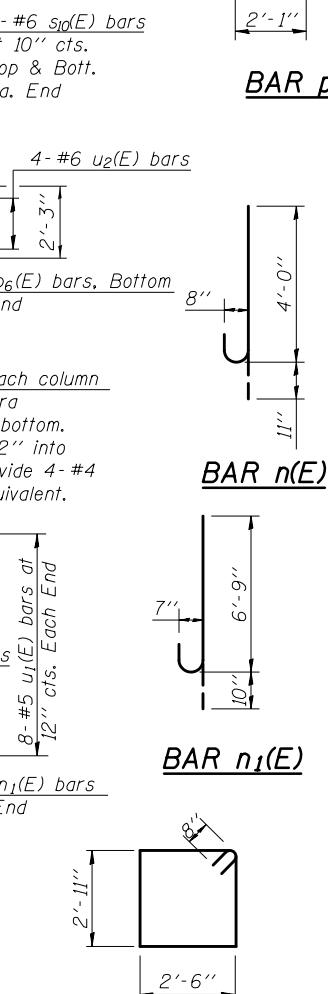
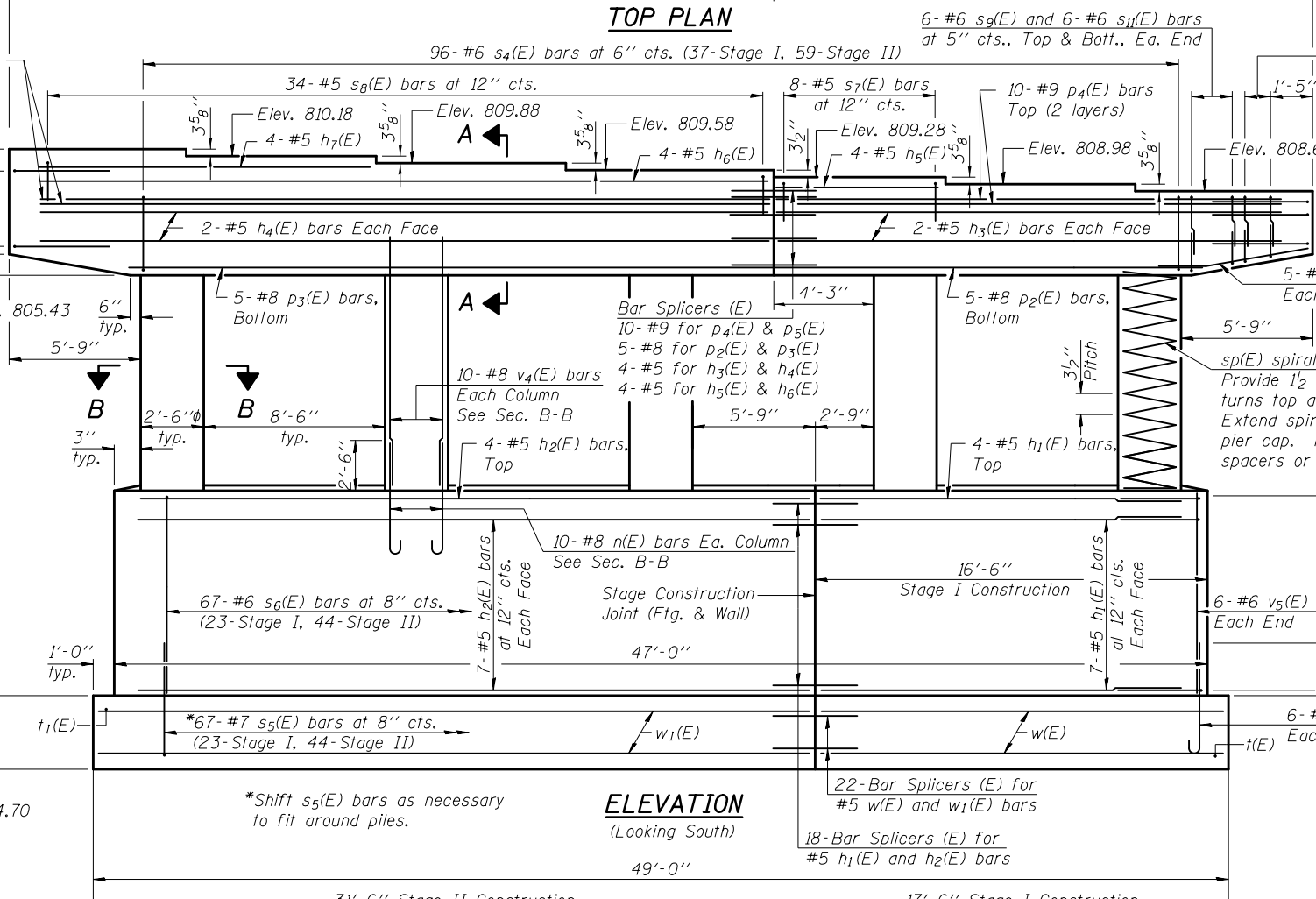
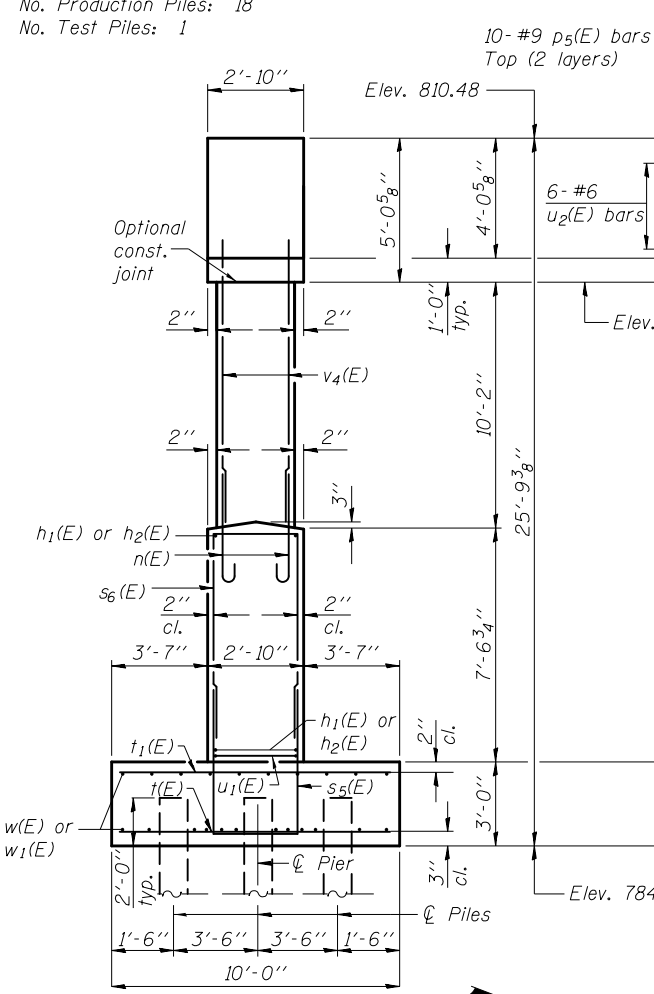
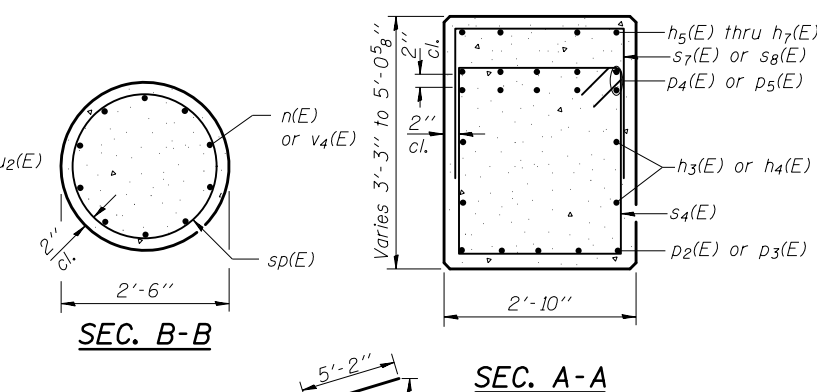
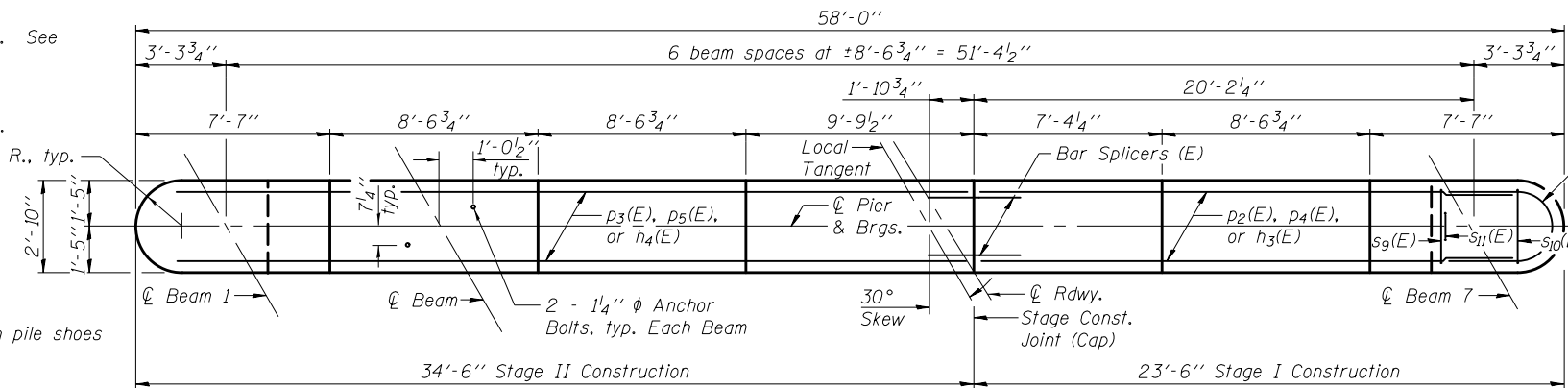


Notes:  
 Space reinforcement in cap to miss anchor bolts. See sheet 18 of 28 for details of anchor bolts.  
 Four steps monolithically with cap.  
 For details of piles, see sheet 23 of 28.  
 For details of Bar Splicers, see sheet 25 of 28.

**PILE DATA**

Type: Metal Shell - 14 in. dia. x 0.25 in. walls with pile shoes  
 Nominal Required Bearing: 249 kips  
 Factored Resistance Available: 137 kips  
 Est. Length: 30 ft.  
 No. Production Piles: 18  
 No. Test Piles: 1



**BILL OF MATERIAL**

Bar	No.	Size	Length	Shape
h1(E)	18	#5	14'-11"	—
h2(E)	18	#5	28'-11"	—
h3(E)	4	#5	21'-11"	—
h4(E)	4	#5	32'-11"	—
h5(E)	4	#5	7'-0"	—
h6(E)	4	#5	32'-11"	—
h7(E)	4	#5	14'-7"	—
n(E)	50	#8	4'-11"	U
n1(E)	12	#7	7'-7"	U
p2(E)	5	#8	18'-1"	—
p3(E)	5	#8	29'-1"	—
p4(E)	10	#9	21'-11"	—
p5(E)	10	#9	32'-11"	—
p6(E)	10	#4	7'-3"	—
s4(E)	96	#6	12'-2"	□
s5(E)	67	#7	16'-4"	□
s6(E)	67	#6	17'-0"	□
s7(E)	8	#5	5'-8"	□
s8(E)	34	#5	8'-2"	□
s9(E)	24	#6	7'-6"	□
s10(E)	8	#6	6'-10"	□
s11(E)	24	#6	5'-10"	□
sp(E)	5	#4	10'-4"	W
t(E)	46	#7	9'-8"	—
t1(E)	50	#5	9'-8"	—
u1(E)	16	#5	8'-8"	U
u2(E)	10	#6	10'-4"	U
v4(E)	50	#8	12'-9"	—
v5(E)	12	#6	7'-3"	—
w(E)	22	#5	17'-2"	—
w1(E)	22	#5	31'-2"	—

\*\*\* Length is height of spiral.