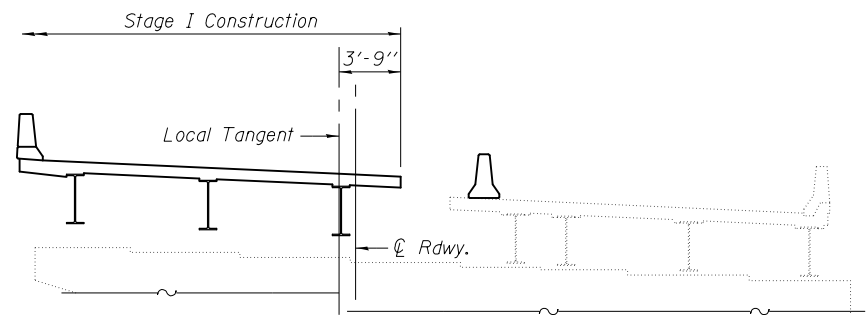
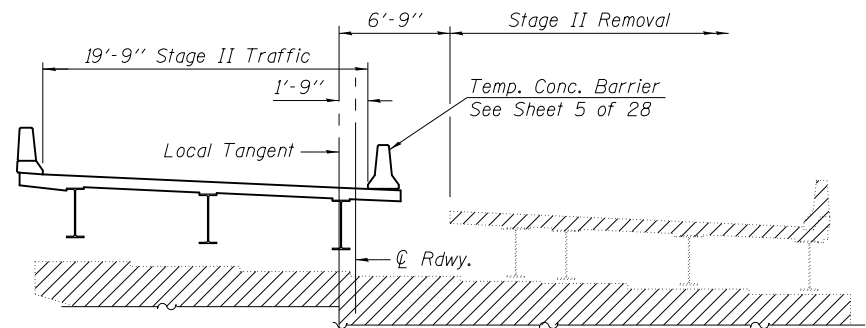


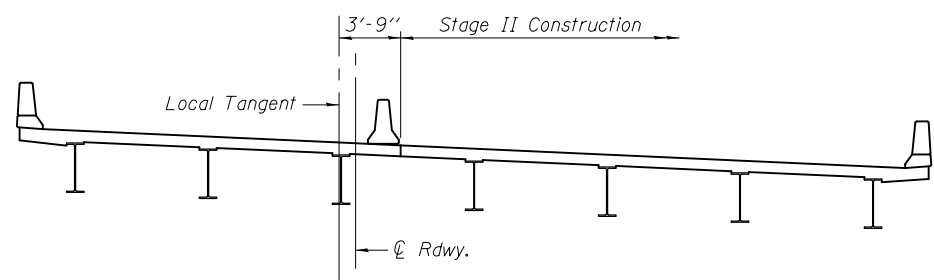
**STAGE I REMOVAL**



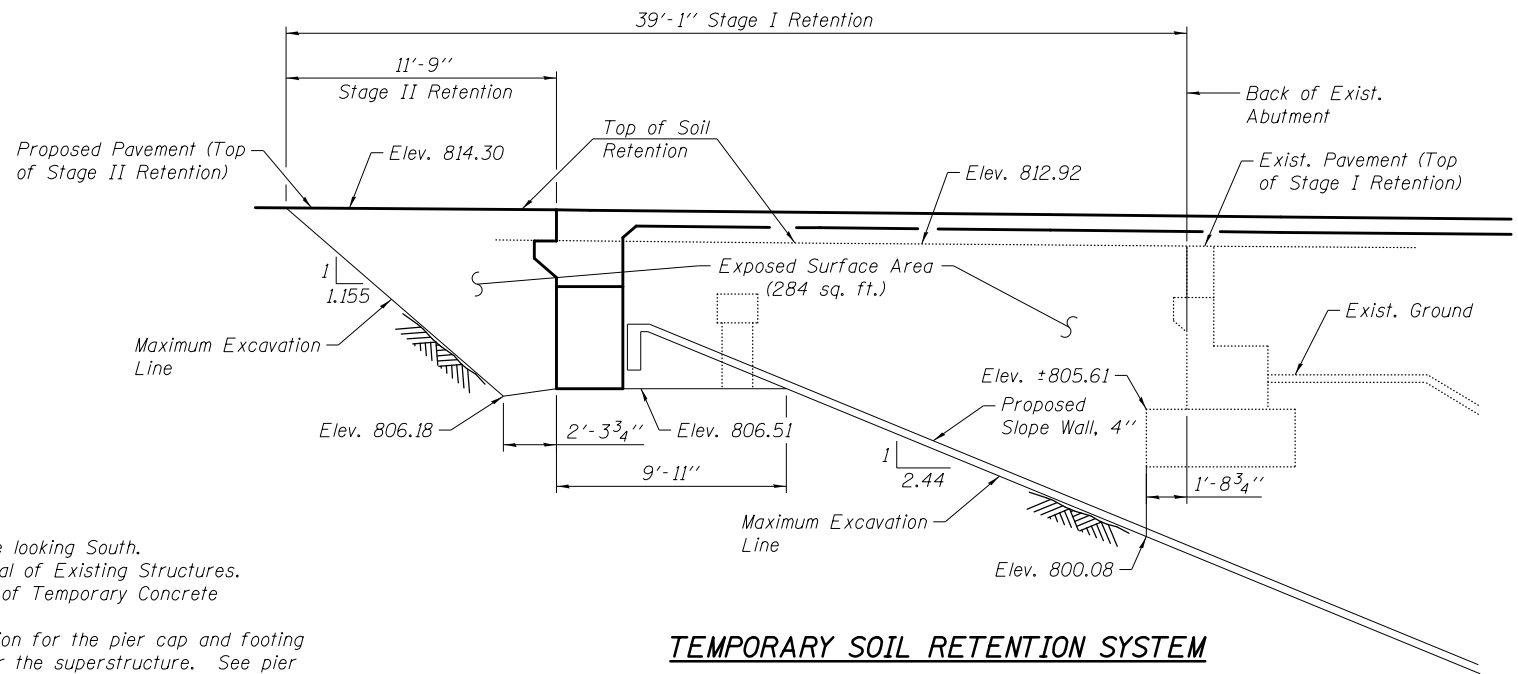
**STAGE I CONSTRUCTION**



**STAGE II REMOVAL**



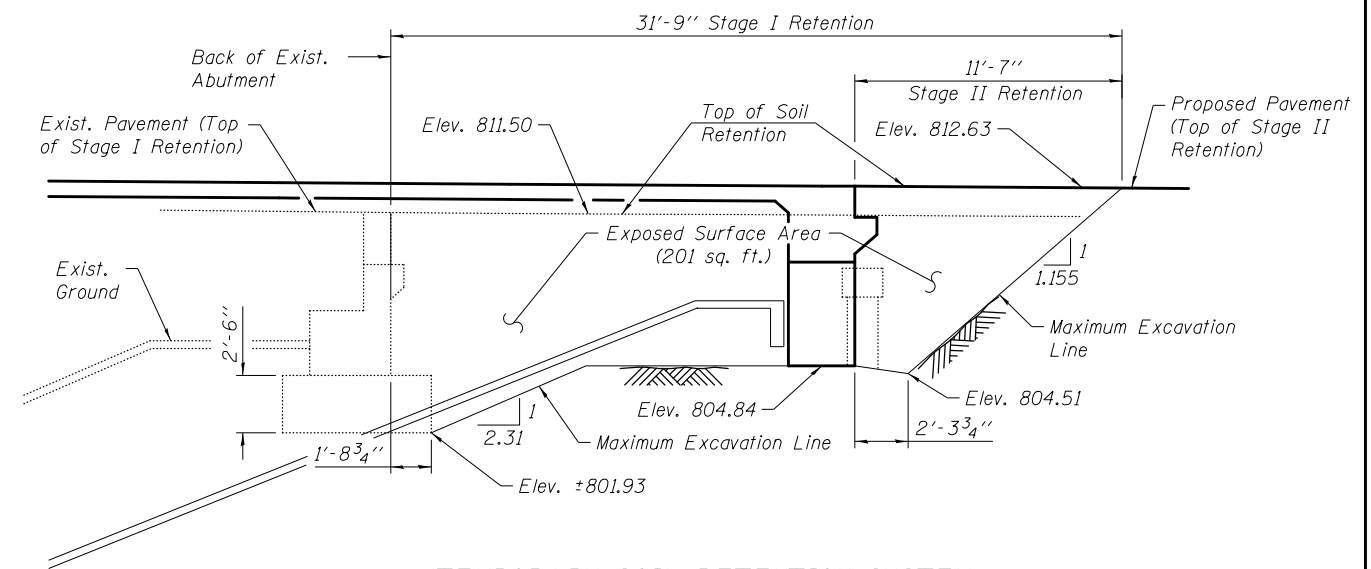
**STAGE II CONSTRUCTION**



**TEMPORARY SOIL RETENTION SYSTEM  
NORTH ABUTMENT**  
(Looking East)

Notes:  
Due to the potential for difficult driving conditions, a cantilevered sheet piling design does not appear feasible and additional members or other retention systems may be necessary. The Contractor shall submit a temporary soil retention system design including plan details and calculations for review and acceptance by the Engineer.  
All dimensions and slopes are shown along the temporary soil retention unless noted otherwise.

Staging Notes:  
All staging cross sections are looking South.  
Hatched areas indicate Removal of Existing Structures.  
See Rdwy. plans for quantity of Temporary Concrete Barrier.  
Stage construction joint location for the pier cap and footing will differ from those shown for the superstructure. See pier sheets for these locations.  
Stage I Removal shall NOT include any portion of the existing piers below the steel beam bearings. Stage I Construction will be completed over the top of the existing piers.



**TEMPORARY SOIL RETENTION SYSTEM  
SOUTH ABUTMENT**  
(Looking East)

|                                  |                               |                |           |
|----------------------------------|-------------------------------|----------------|-----------|
| FILE NAME = \$FILES*             | USER NAME = piersonbr         | DESIGNED - BAS | REVISED - |
|                                  |                               | CHECKED - JAE  | REVISED - |
|                                  |                               | DRAWN - SGM    | REVISED - |
|                                  |                               | CHECKED - BAS  | REVISED - |
| MAURER-STUTZ ENGINEERS SURVEYORS | PLOT SCALE =                  |                |           |
|                                  | PLOT DATE = 7/30/2013 \$TIME* |                |           |

STATE OF ILLINOIS  
DEPARTMENT OF TRANSPORTATION

STAGE CONSTRUCTION DETAILS  
STRUCTURE NO. 057-0254

SHEET NO. 4 OF 28 SHEETS

|                           |                      |               |                  |                    |
|---------------------------|----------------------|---------------|------------------|--------------------|
| F.A.I. RTE. 74            | SECTION (57-20H)BR-1 | COUNTY MCLEAN | TOTAL SHEETS 440 | SHEET NO. 239      |
|                           |                      |               |                  | CONTRACT NO. 70570 |
| ILLINOIS FED. AID PROJECT |                      |               |                  |                    |