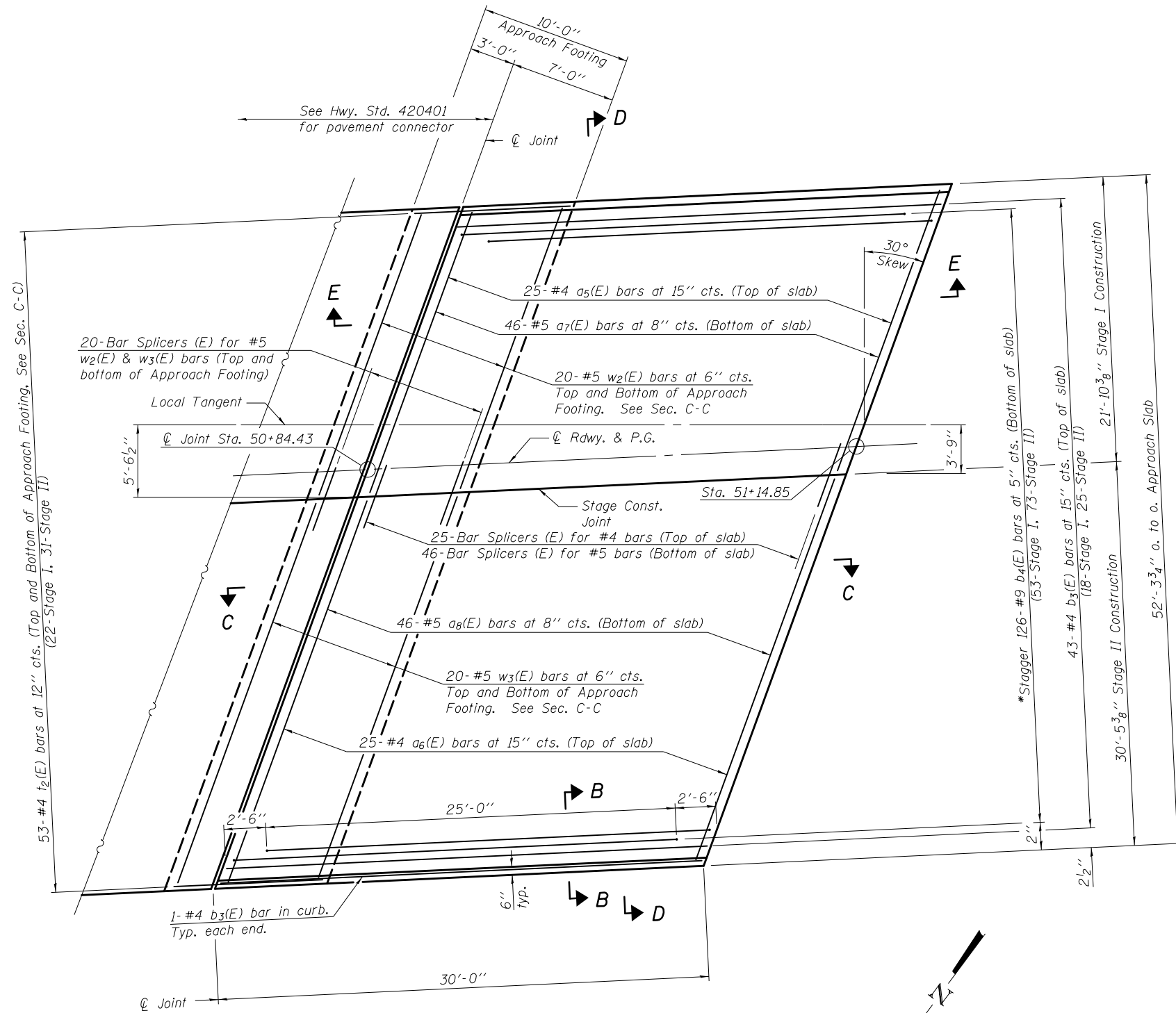
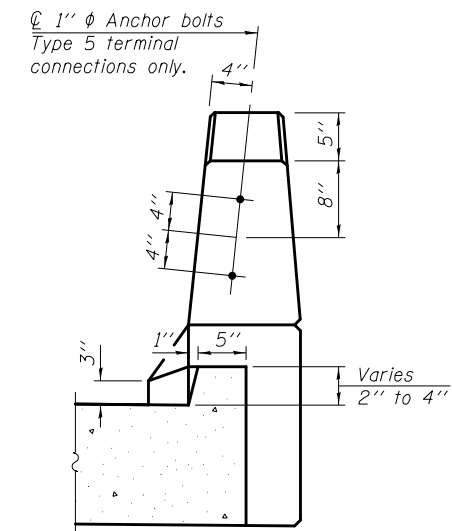


Notes:
See sheet 16 of 28 for Sections C-C & D-D and View E-E.
a₅(E) thru a₈(E) bar spacings measured along \hat{C} Rdwy.



PLAN - NORTH APPROACH

* Tilt #9 b₄(E) bars as required to maintain clearance.



VIEW B-B

(Sheet 1 of 3)

FILE NAME = \$FILES*	USER NAME = piersonbr	DESIGNED - BAS	REVISED -
		CHECKED - JAE	REVISED -
		DRAWN - SGM	REVISED -
		CHECKED - BAS	REVISED -
MAURER-STUTZ ENGINEERS SURVEYORS	PLOT SCALE =		
	PLOT DATE = 7/30/2013 \$TIME*		

STATE OF ILLINOIS
DEPARTMENT OF TRANSPORTATION

BRIDGE APPROACH SLAB DETAILS
STRUCTURE NO. 057-0254

SHEET NO. 14 OF 28 SHEETS

F.A.I. RTE.	SECTION	COUNTY	TOTAL SHEETS	SHEET NO.
74	(57-20HB)BR-1	MCLEAN	440	249
CONTRACT NO. 70570				
ILLINOIS FED. AID PROJECT				