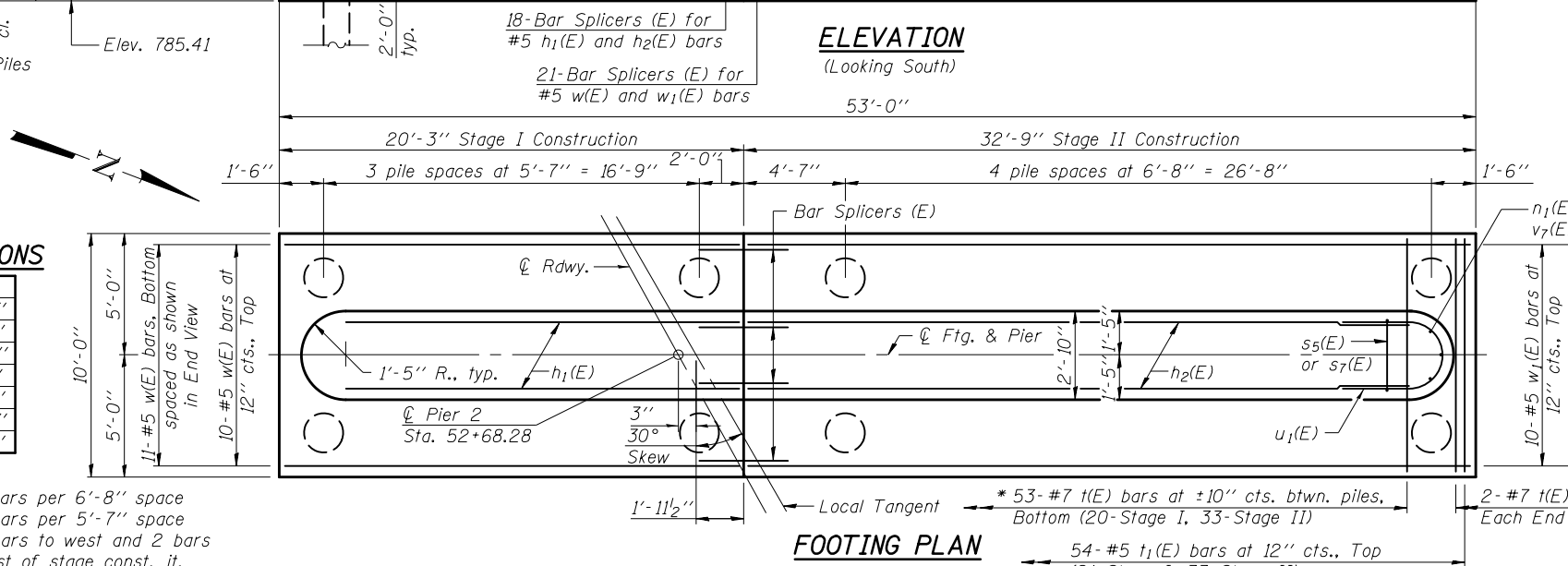
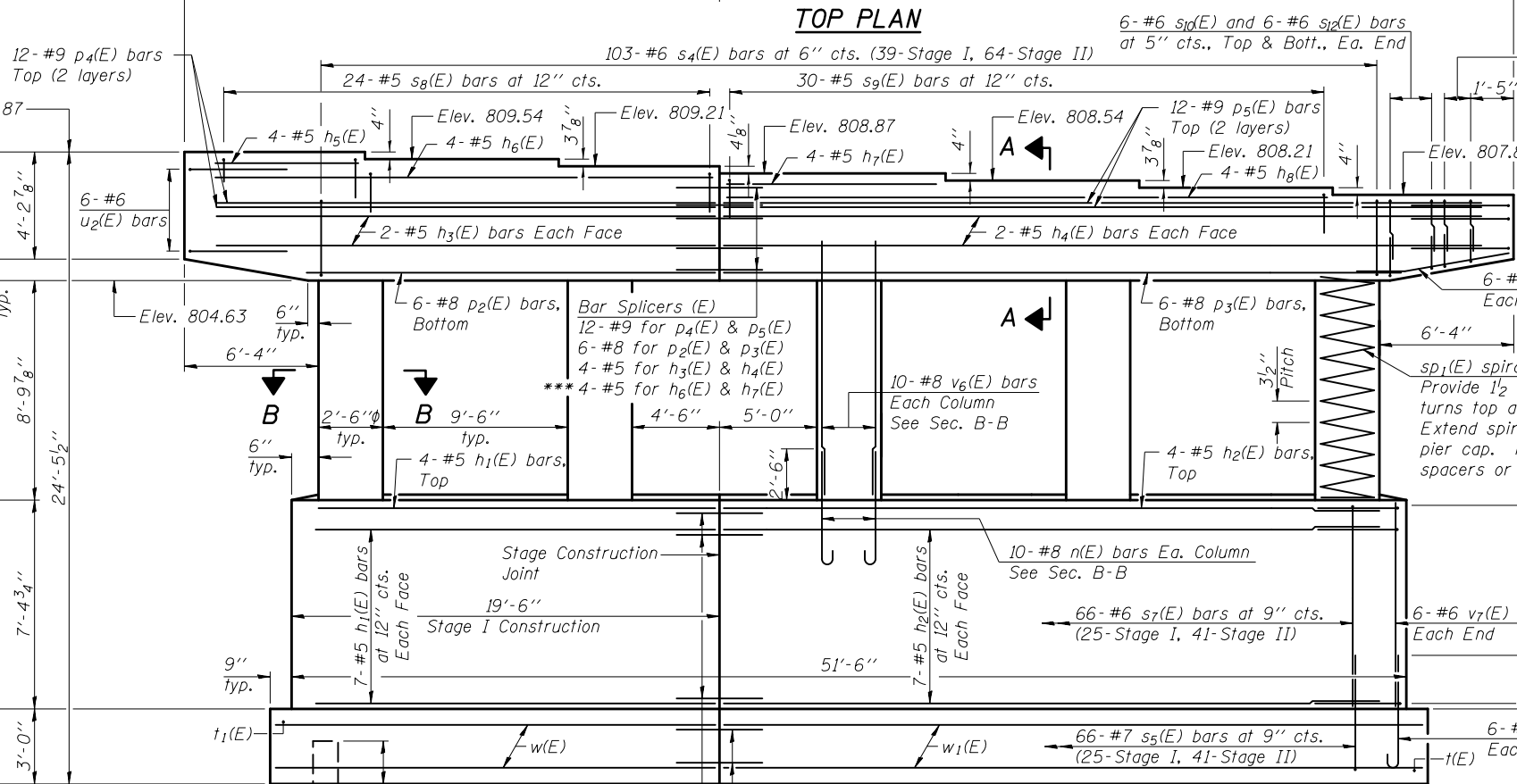
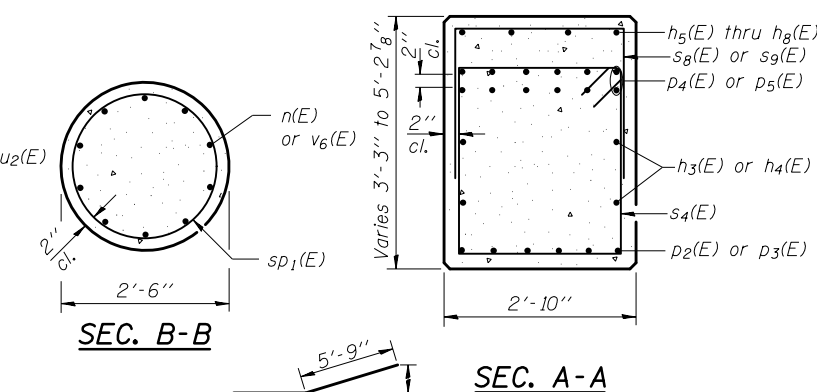
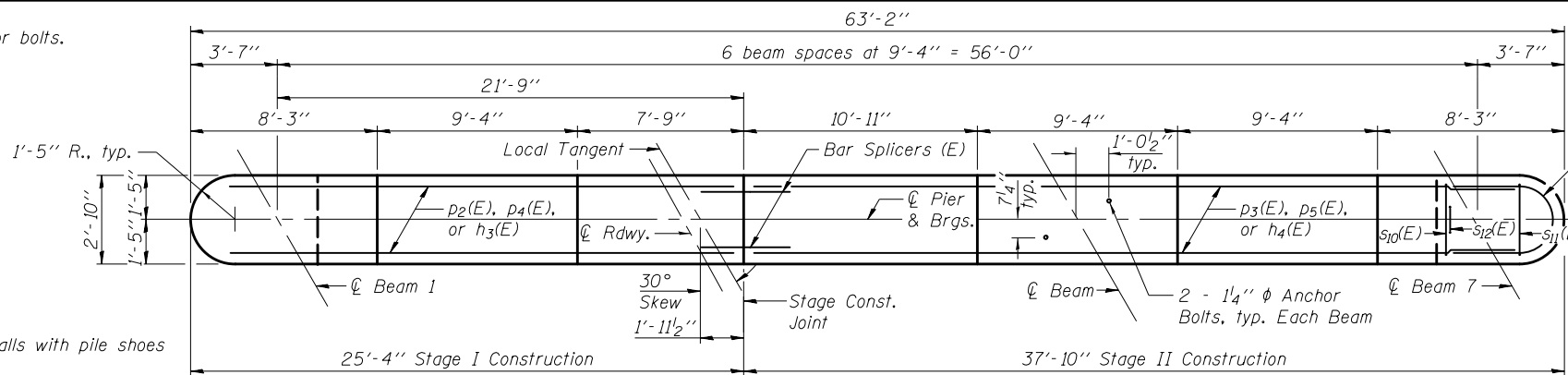


Notes:
 Space reinforcement in cap to miss anchor bolts.
 Pour steps monolithically with cap.
 For details of piles, see sheet 23 of 28.

PILE DATA

Type: Metal Shell - 14 in. dia. x 0.312 in. walls with pile shoes
 Nominal Required Bearing: 276 kips
 Factored Resistance Available: 152 kips
 Est. Length: 31 ft
 No. Production Piles: 17
 No. Test Piles: 1



BAR p6(E)

BAR n(E)

BAR n1(E)

BAR s4(E)

BARS u1(E) & u2(E)

BILL OF MATERIAL

Bar	No.	Size	Length	Shape
h1(E)	18	#5	17'-11"	—
h2(E)	18	#5	30'-5"	—
h3(E)	4	#5	23'-9"	—
h4(E)	4	#5	36'-3"	—
h5(E)	4	#5	6'-8"	—
h6(E)	4	#5	23'-9"	—
h7(E)	4	#5	10'-7"	—
h8(E)	4	#5	29'-3"	—
n(E)	50	#8	4'-11"	U
n1(E)	12	#7	7'-7"	U
p2(E)	6	#8	19'-4"	—
p3(E)	6	#8	31'-10"	—
p4(E)	12	#9	23'-9"	—
p5(E)	12	#9	36'-3"	—
p6(E)	12	#4	7'-10"	—
s4(E)	103	#6	12'-2"	□
s5(E)	66	#7	16'-4"	□
s7(E)	66	#6	16'-10"	□
s8(E)	24	#5	8'-4"	□
s9(E)	30	#5	6'-4"	□
s10(E)	24	#6	7'-6"	□
s11(E)	8	#6	6'-10"	□
s12(E)	24	#6	5'-10"	□
sp1(E)	5	#4	9'-0"	~
t(E)	57	#7	9'-8"	—
t1(E)	54	#5	9'-8"	—
u1(E)	16	#5	8'-8"	U
u2(E)	10	#6	10'-4"	U
v6(E)	50	#8	11'-5"	—
v7(E)	12	#6	7'-2"	—
w(E)	21	#5	19'-11"	—
w1(E)	21	#5	32'-5"	—
Structure Excavation	Cu. Yd.		284	
Concrete Structures	Cu. Yd.		132.8	
Reinforcement Bars, Epoxy Coated	Pound		17890	
Furnishing Metal Shell Piles 14" x 0.312"	Foot		527	
Driving Piles	Foot		527	
Test Pile Metal Shells	Each		1	
Pile Shoes	Each		18	
Concrete Sealer	Sq. Ft.		1866	

** Length is height of spiral.
 *** Bar Splicers for h6(E) and h7(E) bars must be placed 4 1/4" below the h6(E) bars.

A & B DIMENSIONS

Bar	A	B
s5(E)	2'-6"	6'-11"
s7(E)	2'-6"	7'-2"
s8(E)	2'-6"	2'-11"
s9(E)	2'-6"	1'-11"
s10(E)	2'-6"	2'-6"
s11(E)	2'-6"	2'-2"
s12(E)	10"	2'-6"

* 7 bars per 6'-8" space
 6 bars per 5'-7" space
 5 bars to west and 2 bars to east of stage const. jt.



FILE NAME = \$FILES*	USER NAME = piersonbr	DESIGNED - BAS	REVISED -
		CHECKED - JAE	REVISED -
		DRAWN - SGM	REVISED -
		CHECKED - BAS	REVISED -

STATE OF ILLINOIS
 DEPARTMENT OF TRANSPORTATION

PIER 2
 STRUCTURE NO. 057-0254
 SHEET NO. 22 OF 28 SHEETS

F.A.I. RTE.	SECTION	COUNTY	TOTAL SHEETS	SHEET NO.
74	(57-20HB)BR-1	MCLEAN	440	257
CONTRACT NO. 70570				
ILLINOIS FED. AID PROJECT				