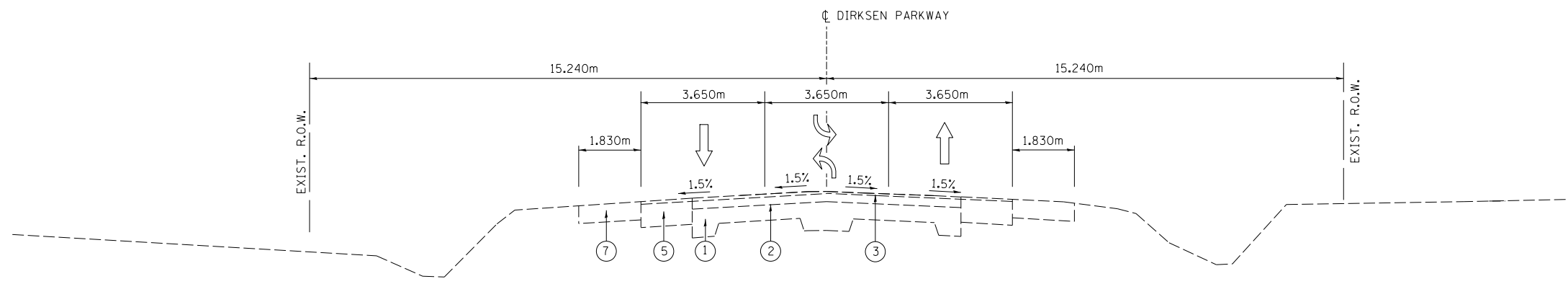
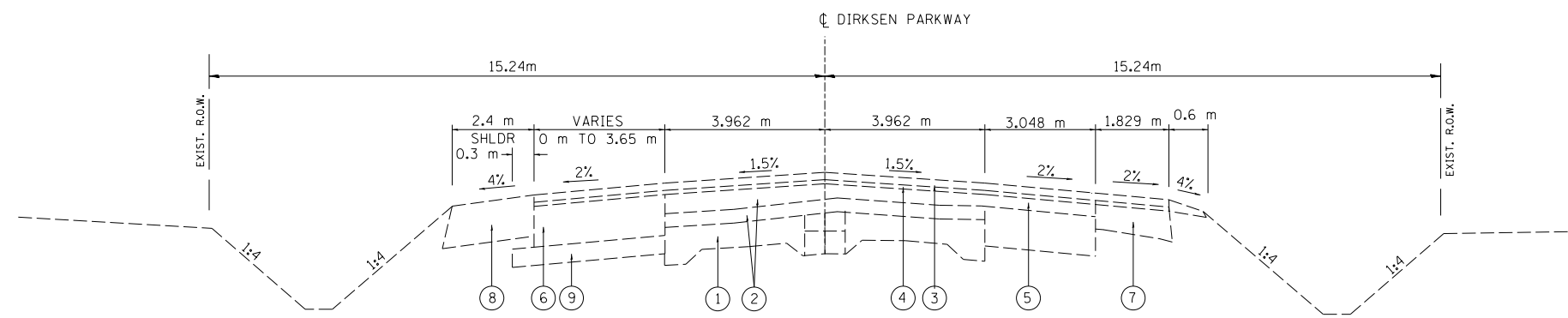


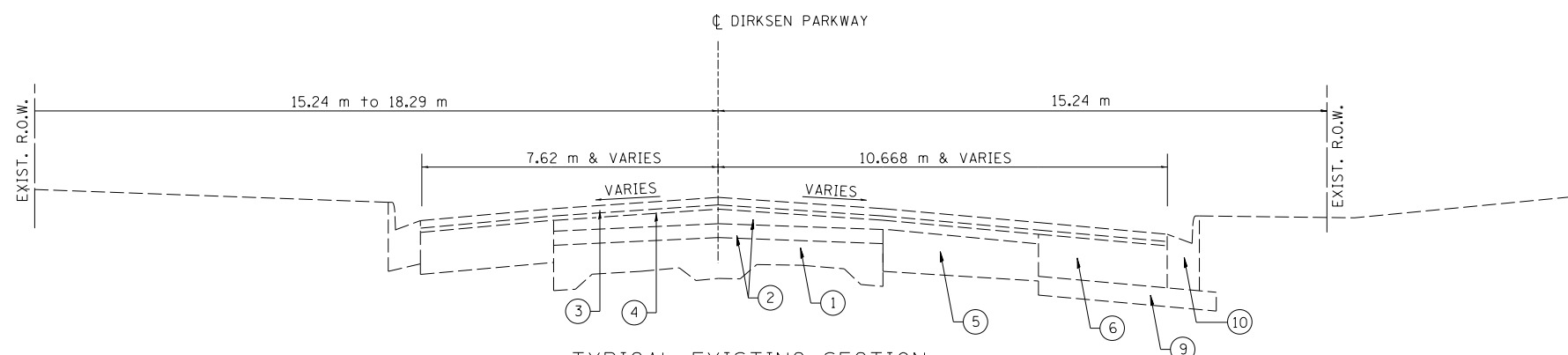
F.A.P. RTE.	SECTION	COUNTY	TOTAL SHEETS	SHEET NO.
668	28R-1	SANGAMON	354	47
STA.		TO STA.		
FED. ROAD DIST. NO.		ILLINOIS	FED. AID PROJECT	
CONTRACT NO. 72501				



TYPICAL EXISTING SECTION  
DIRKSEN PARKWAY  
STA. 5+225.236 TO 6+440.800



TYPICAL EXISTING SECTION  
DIRKSEN PARKWAY  
STA. 6+440.800 TO 6+543.700



TYPICAL EXISTING SECTION  
DIRKSEN PARKWAY  
STA. 6+543.700 TO STA. 6+840.000

LEGEND

1. EXIST P.C.C. PAVEMENT
2. EXIST BIT CONCRETE SURFACE COURSE, 75 mm
3. EXIST BIT CONCRETE SURFACE COURSE, 38 mm
4. EXIST LEVELING BINDER, 25 mm
5. EXIST BIT BASE COURSE WIDENING 225 mm
6. EXIST BIT BASE COURSE WIDENING 220 mm
7. EXIST BIT SHOULDER 150 mm
8. EXIST BIT SHOULDER 220 mm
9. EXIST SUBBASE GRANULAR MATERIAL, 100 mm
10. EXIST COMBINATION CURB & GUTTER TY B-15.60
11. PROP PAVED SHOULDER REMOVAL
12. PROP SUB-BASE GRANULAR MAT TY A 200 mm
13. PROP BASE COURSE WIDENING, 280 mm
14. PROP COMBINATION CURB & GUTTER TY B-22.30 (SPECIAL)
15. HMA SURFACE REMOVAL, VAR. DEPTH (AVG DEPTH 19 mm)
16. PROP POLYMERIZED LEVELING BINDER (MACHINE METHOD), N70 (VARIABLE DEPTH, MIN DEPTH 19 mm)
17. PROP POLYMERIZED HMA SURFACE COURSE, MIX "D", N70 (38 mm)
18. PROP COMBINATION CURB & GUTTER TY B-15.30
19. STRIP REFLECTIVE CRACK CONTROL TREATMENT
20. PROP COMBINATION CURB & GUTTER TY B-22.60
21. PROP COMBINATION CURB & GUTTER TY B-15.60
22. AGGREGATE BASE COURSE, TYPE A, 200 mm
23. AGGREGATE SHOULDERS, TYPE B 100 mm
24. PROP LEVELING BINDER (MACHINE METHOD), N50 (25 mm)
25. PROP HMA SURFACE COURSE, MIX "C", N50 (38 mm)
26. PROP HMA BINDER COURSE, IL 19.0, N50 (57 mm)
27. POLYMERIZED HMA BINDER COURSE, IL 19.0, N70 (MIN DEPTH 57 mm)

REVISIONS	
NAME	DATE

ILLINOIS DEPARTMENT OF TRANSPORTATION  
TYPICAL SECTIONS  
F.A.P. ROUTE 668 (DIRKSEN PARKWAY)  
SECTION 28R-1  
SANGAMON COUNTY

SCALE: NONE  
DATE: 06/2013

DRAWN BY: RK  
CHECKED BY: SEW