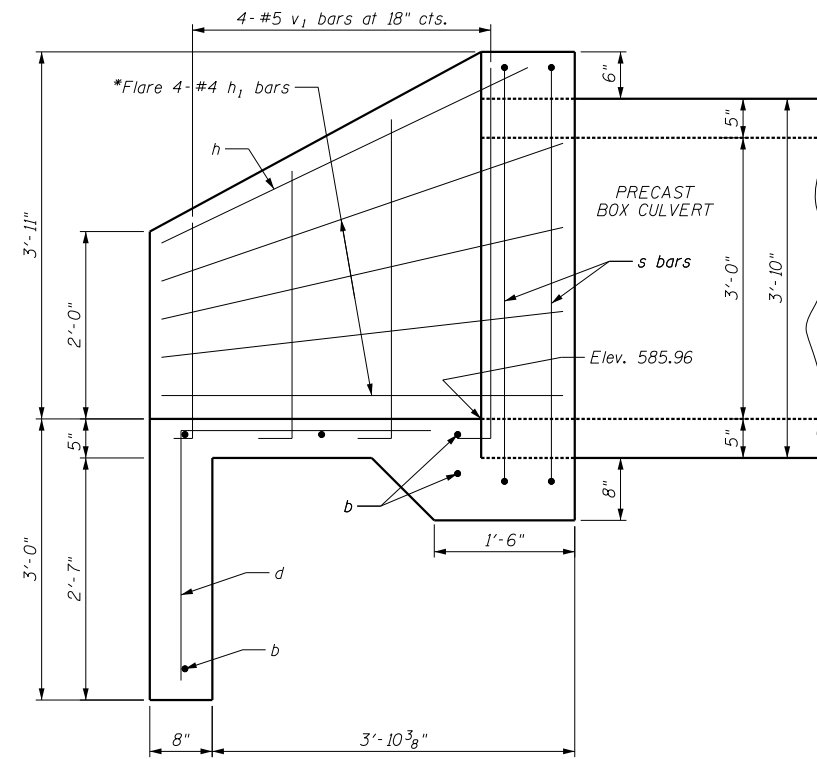


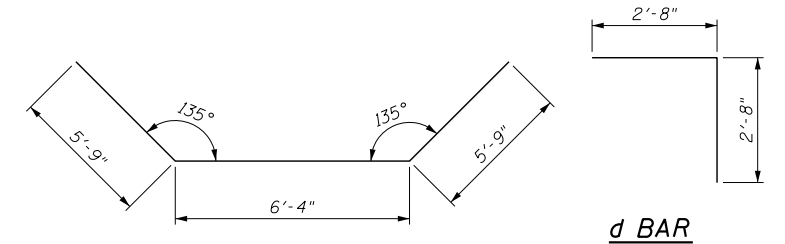
END ELEVATION



HALF LONG. SECTION

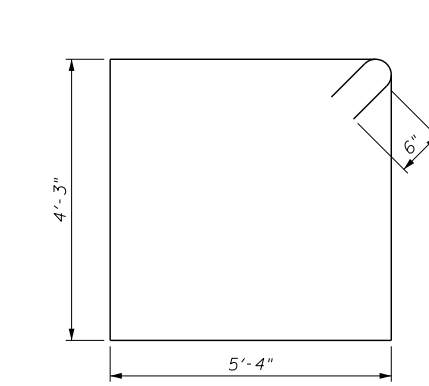
BILL OF MATERIAL

Bar	No.	Size	Length	Shape
b	5	4	13'-8"	—
d	9	4	5'-4"	—
h	1	4	17'-10"	—
h ₁	8	4	5'-0"	—
s	2	4	20'-2"	—
v ₁	8	5	5'-2"	—
Concrete Box Culverts			Cu. Yd.	2.9
Reinforcement Bars			Pound	190

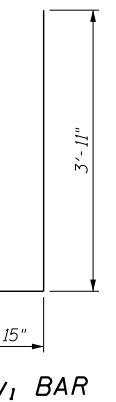


d BAR

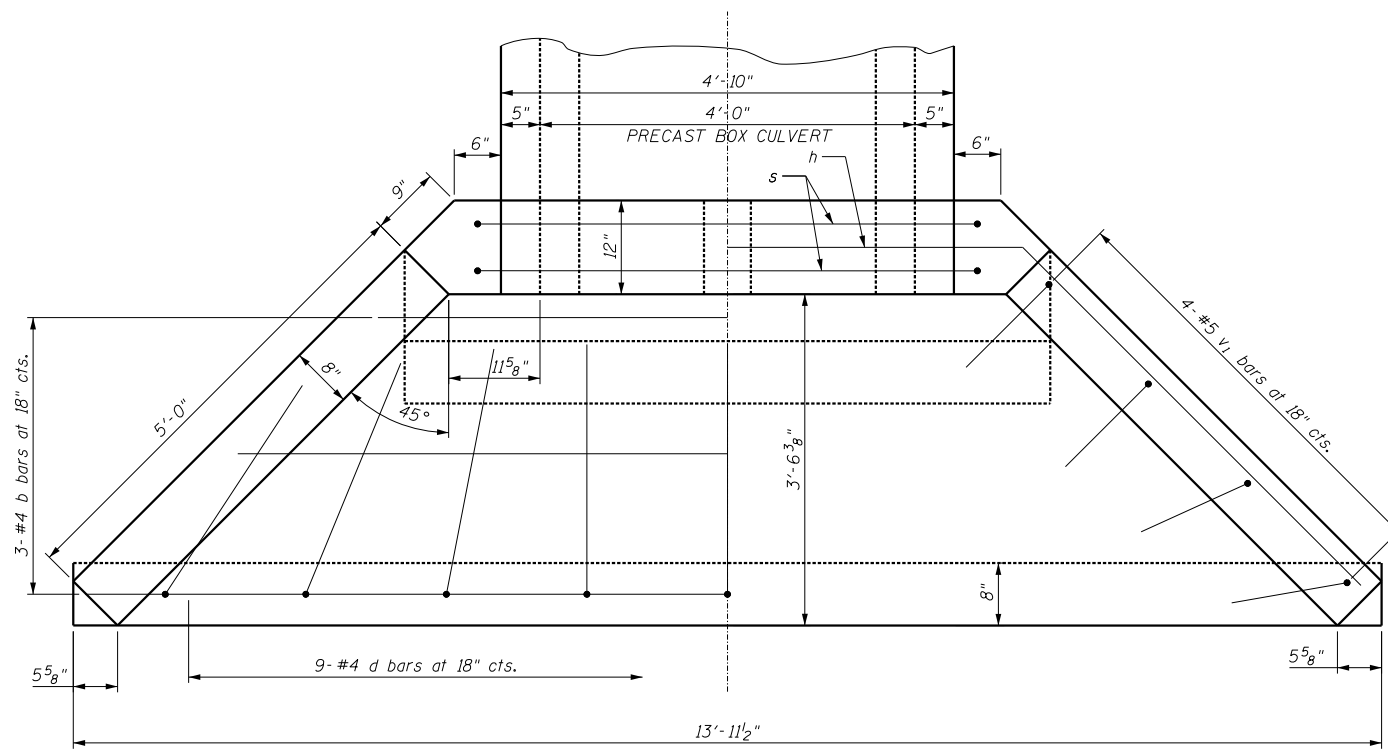
h BAR



s BAR



v₁ BAR



END PLAN

DESIGN STRESSES

F_y = 60,000 psi
F'_c = 3,500 psi

LOADING HL-93

BAR BEND DETAILS

FILE NAME = culvert1379+4975-CIP-ENDS.dgn

USER NAME = nate1

PLOT SCALE = 2:0.5846 '1' / in.

PLOT DATE = 8/16/2013

DESIGNED - TCD

DRAWN - PSBA

CHECKED - CSB

DATE - 07/2013

REVISED -

REVISED -

REVISED -

REVISED -

**STATE OF ILLINOIS
DEPARTMENT OF TRANSPORTATION**

**CULVERT DETAILS
CAST-IN-PLACE END SECTION: STA 1379 + 49.75, LT**

SCALE: NTS

SHEET 1 OF 1 SHEETS

STA. TO STA.

F.A.S. SECTION COUNTY TOTAL SHEETS SHEET NO.

1597 14 (W, RS-7) ADAMS/PIKE 152 58

ILLINOIS FED. AID PROJECT 72781