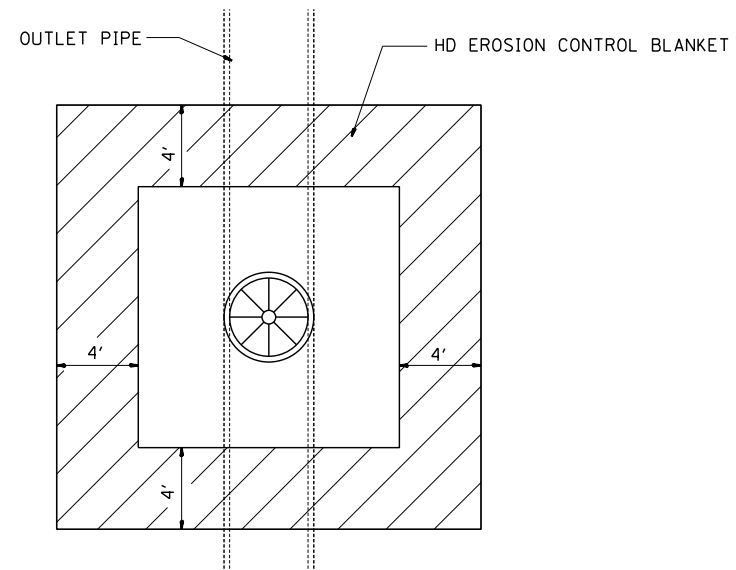
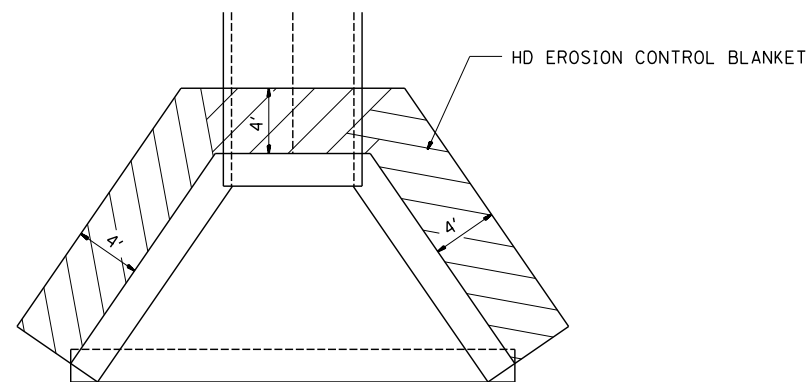


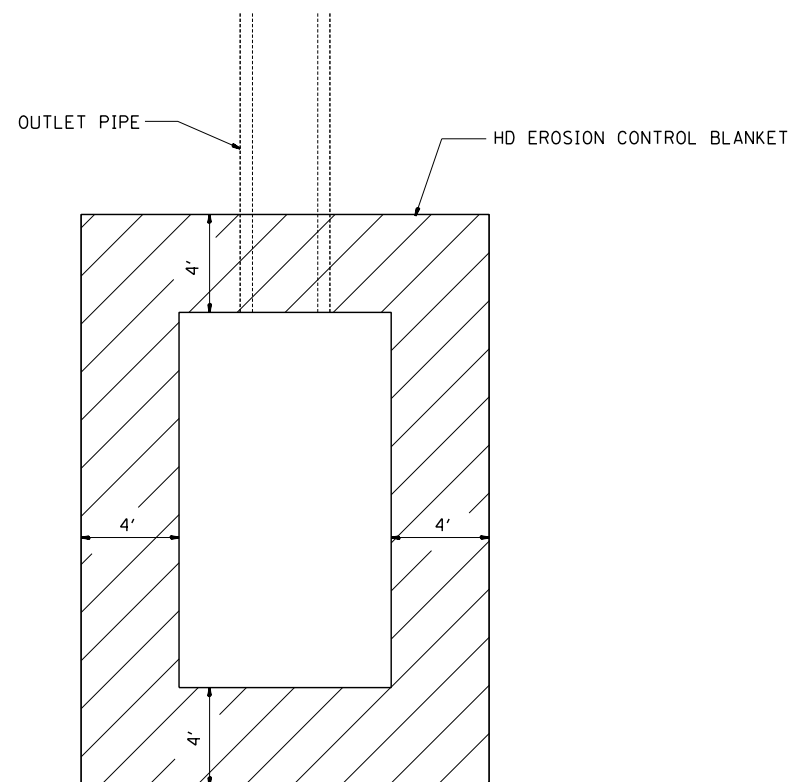
F.A.S. RTE.	SECTION	COUNTY	TOTAL SHEETS	SHEET NO.
1597	14 (W, RS-7)	ADAMS/PIKE	152	73
STA.		TO STA.		
FED. ROAD DIST. NO. 6		ILLINOIS FED. AID PROJECT		



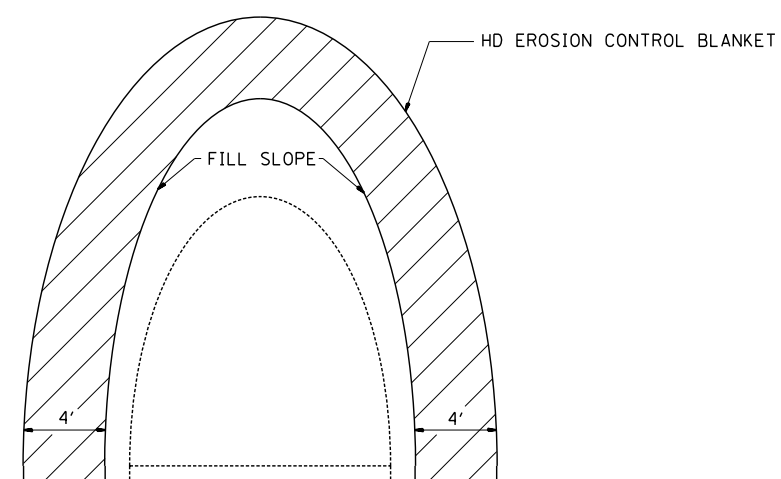
HD EROSION CONTROL BLANKET AROUND  
MANHOLE, TYPE A  
W/TYPE 1 FRAME, CLOSED LID



HD EROSION CONTROL BLANKET AROUND  
HEADWALLS & CULVERT WINGWALLS



HD EROSION CONTROL BLANKET AROUND  
HEADWALL FOR PIPE UNDERDRAIN  
STD 601101



HD EROSION CONTROL BLANKET AROUND  
FLARED END SECTION  
STD 542301

REVISIONS	
NAME	DATE

ILLINOIS DEPARTMENT OF TRANSPORTATION

**HEAVY DUTY EROSION CONTROL  
BLANKET DETAILS**

SCALE: VERT.  
HORIZ.  
DATE

DRAWN BY  
CHECKED BY