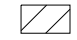
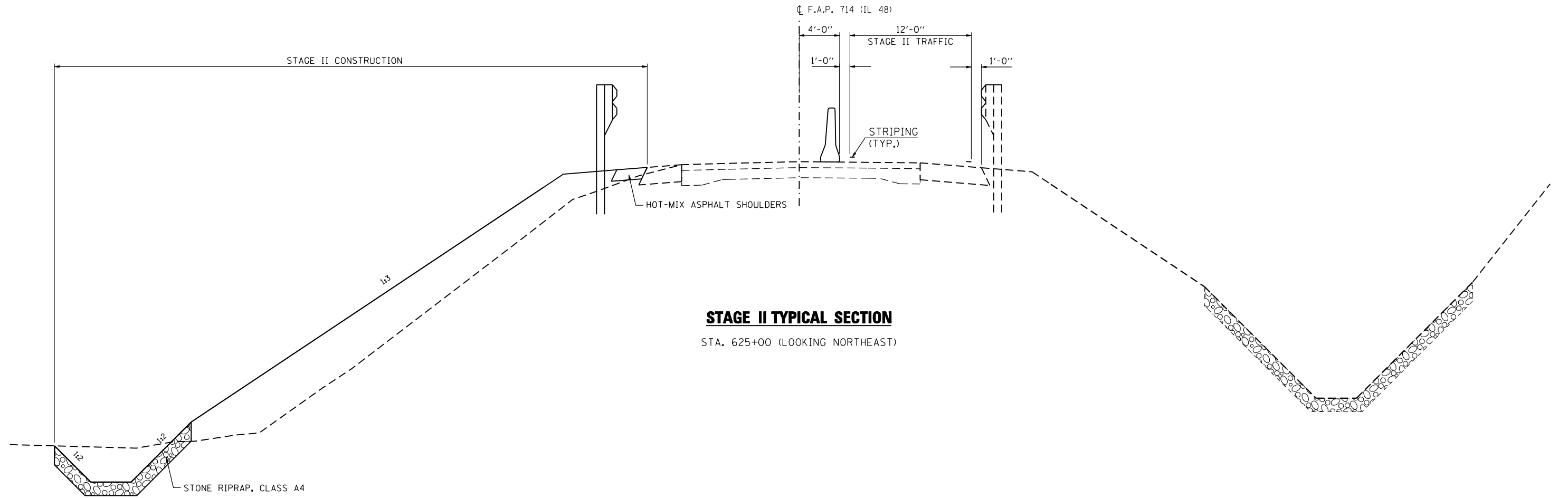


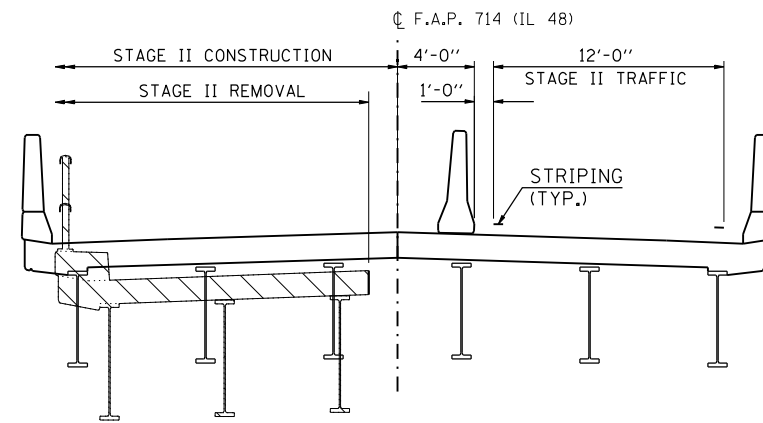
LEGEND

 TO BE REMOVED



STAGE II TYPICAL SECTION

STA. 625+00 (LOOKING NORTHEAST)



STAGE II BRIDGE TYPICAL SECTION

STA. 627+00 (LOOKING NORTHEAST)

design firm
no. 184001036



USER NAME = gjameson	DESIGNED -	REVISED
FILE NAME = D672A61-SHT-TYP-STAGE II	CHECKED -	REVISED
PLOT SCALE = 10,0000' / IN.	DRAWN -	REVISED
PLOT DATE = 8/16/2013	CHECKED -	REVISED

**STATE OF ILLINOIS
DEPARTMENT OF TRANSPORTATION**

**TRAFFIC CONTROL TYPICAL SECTIONS - STAGE II
IL 48 OVER BEAR CREEK**

SCALE: 1" = 5' SHEET 1 OF 1 SHEETS STA. 621+50 TO STA. 624+50

F.A.P. RTE.	SECTION	COUNTY	TOTAL SHEETS	SHEET NO.
•	(4), 136B-1	CHRISTIAN	97	21
•	75(IL 29) & 714(IL 48)			CONTRACT NO. 72A61
ILLINOIS FED. AID PROJECT				